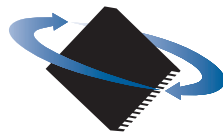


Atlas Digital Amplifier Complete Technical Reference



**PERFORMANCE
MOTION DEVICES**

Performance Motion Devices, Inc.
1 Technology Park Drive
Westford, MA 01886



NOTICE

This document contains proprietary and confidential information of Performance Motion Devices, Inc., and is protected by federal copyright law. The contents of this document may not be disclosed to third parties, translated, copied, or duplicated in any form, in whole or in part, without the express written permission of PMD.

The information contained in this document is subject to change without notice. No part of this document may be reproduced or transmitted in any form, by any means, electronic or mechanical, for any purpose, without the express written permission of PMD.

Copyright 1998–2020 by Performance Motion Devices, Inc.

Juno, Atlas, Magellan, ION, Prodigy, Pro-Motion, C-Motion and VB-Motion are trademarks of Performance Motion Devices, Inc.

Warranty

Performance Motion Devices, Inc. warrants that its products shall substantially comply with the specifications applicable at the time of sale, provided that this warranty does not extend to any use of any Performance Motion Devices, Inc. product in an Unauthorized Application (as defined below). Except as specifically provided in this paragraph, each Performance Motion Devices, Inc. product is provided “as is” and without warranty of any type, including without limitation implied warranties of merchantability and fitness for any particular purpose.

Performance Motion Devices, Inc. reserves the right to modify its products, and to discontinue any product or service, without notice and advises customers to obtain the latest version of relevant information (including without limitation product specifications) before placing orders to verify the performance capabilities of the products being purchased. All products are sold subject to the terms and conditions of sale supplied at the time of order acknowledgment, including those pertaining to warranty, patent infringement and limitation of liability.

Unauthorized Applications

Performance Motion Devices, Inc. products are not designed, approved or warranted for use in any application where failure of the Performance Motion Devices, Inc. product could result in death, personal injury or significant property or environmental damage (each, an “Unauthorized Application”). By way of example and not limitation, a life support system, an aircraft control system and a motor vehicle control system would all be considered “Unauthorized Applications” and use of a Performance Motion Devices, Inc. product in such a system would not be warranted or approved by Performance Motion Devices, Inc.

By using any Performance Motion Devices, Inc. product in connection with an Unauthorized Application, the customer agrees to defend, indemnify and hold harmless Performance Motion Devices, Inc., its officers, directors, employees and agents, from and against any and all claims, losses, liabilities, damages, costs and expenses, including without limitation reasonable attorneys’ fees, (collectively, “Damages”) arising out of or relating to such use, including without limitation any Damages arising out of the failure of the Performance Motion Devices, Inc. product to conform to specifications.

In order to minimize risks associated with the customer’s applications, adequate design and operating safeguards must be provided by the customer to minimize inherent procedural hazards.

Disclaimer

Performance Motion Devices, Inc. assumes no liability for applications assistance or customer product design. Performance Motion Devices, Inc. does not warrant or represent that any license, either express or implied, is granted under any patent right, copyright, mask work right, or other intellectual property right of Performance Motion Devices, Inc. covering or relating to any combination, machine, or process in which such products or services might be or are used. Performance Motion Devices, Inc.’s publication of information regarding any third party’s products or services does not constitute Performance Motion Devices, Inc.’s approval, warranty or endorsement thereof.

Patents

Performance Motion Devices, Inc. may have patents or pending patent applications, trademarks, copyrights, or other intellectual property rights that relate to the presented subject matter. The furnishing of documents and other materials and information does not provide any license, express or implied, by estoppel or otherwise, to any such patents, trademarks, copyrights, or other intellectual property rights.

Patents and/or pending patent applications of Performance Motion Devices, Inc. are listed at <https://www.pmdcorp.com/company/patents>.

Related Documents

Atlas Digital Amplifier User Manual

Description of the Atlas Digital Amplifier electrical and mechanical specifications along with a summary of its operational features.

Magellan Motion Control IC User Guide

Complete description of the Magellan Motion Control IC features and functions with detailed theory of its operation.

MC58113 Developer Kit User Manual

How to install, configure, and operate the MC58113 Family IC developer kits.

Magellan Motion Control IC Developer Kit User Manual

How to install, configure, and operate the DK58000 Magellan Motion Control IC Developer Kit.

Table of Contents

1. Introduction	9
1.1 Atlas Digital Amplifier Overview	9
1.2 Typical Applications	10
1.3 Features and Functions	12
1.4 Atlas Developer Kits	13
2. Functional Characteristics	15
2.1 Operational Specifications	15
2.2 Physical Dimensions	16
2.3 Mechanical Mounting Options	18
3. Electrical Specifications	23
3.1 Drive Ratings	23
3.2 Absolute Maximum Ratings	24
3.3 Environmental Ratings	25
3.4 Safety and Compliance	25
3.5 DC Characteristics	25
3.6 AC Characteristics	27
3.7 Pin Descriptions and Pinouts	27
3.8 Signal Interfacing	32
3.9 Connection Overview	33
3.10 Heat Sink Grounding	36
3.11 Atlas Conversion Factors	36
4. Operation	39
4.1 Functional Overview	39
4.2 Internal Block Diagram	40
4.3 Notes on Command Mnemonics	41
4.4 Commutation	42
4.5 Current Loop	45
4.6 Power Stage	52
4.7 Status Registers	55
4.8 Safety Processing Functions	57
4.9 Step Motor Control	64
4.10 User Memory Space & Buffers	68
4.11 Trace Capture	69
4.12 Power-up	74
4.13 Non-Volatile (NVRAM) Storage	75
4.14 Writing and Reading NVRAM Data	81
4.15 SPI Communications Overview	82
5. SPI Communications	85
5.1 SPI Communications Overview	85
5.2 Packet Header	86
5.3 Sending a Voltage or Torque Output Value	88
5.4 Sending an Amplifier Disable	89
5.5 Sending a NOP	89
5.6 Sending Atlas Commands	90

6. Instruction Reference	93
A. Atlas Developer Kits	155
A.1 Overview	155
A.2 Developer Kit P/Ns	156
A.3 Installation and Getting Started	156
A.4 Atlas DK Board Reference Information	162
A.5 L-Bracket	167
B. Application Notes	171
B.1 Brushless DC Atlas with Single-Axis MC58113 Motion Control IC	171
B.2 DC Brush & Step Motor Atlas with Multi-Axis Magellan	174
B.3 Step Motor Atlas Operating In Pulse & Direction Mode	176
B.4 DC Brush Atlas with PIC Microcontroller	178
B.5 Step Motor Atlas with ARM Microcontroller	180
B.6 Atlas Interfacing Via a Daughter Card	182
B.7 Multi-Motor Atlas with Single-Axis MC58113 Motion Control IC	186

List of Figures

1-1	Single Axis Magellan With Atlas Amplifier	10
1-2	Multi Axis Magellan With Atlas Amplifiers	11
1-3	Direct Host Microprocessor With Atlas Amplifiers	11
1-4	Direct Host Microprocessor With Atlas Amplifiers	12
1-5	Atlas Force Control	12
1-6	Developer Kit Components	14
2-1	Vertical Unit - Ultra Compact Package	16
2-2	Horizontal Unit - Ultra Compact Package	16
2-3	Vertical Unit - Compact Package	17
2-4	Horizontal Unit - Compact Package	17
2-5	Horizontal & Vertical Unit Mounting Options	19
2-6	Recommended Atlas Unit Thermal Transfer Material Dimensions	21
2-7	Atlas Torque Specifications	22
3-1	Timing Diagrams	27
3-2	Atlas Pinouts - Ultra Compact, Vertical	28
3-3	Atlas Pinouts - Ultra Compact, Horizontal	28
3-4	Atlas Pinouts - Compact, Vertical	29
3-5	Atlas Pinouts - Compact, Horizontal	29
3-6	Signal Interfacing ~Enable	32
3-7	Signal Interfacing FaultOut	32
3-8	Brushless DC Connections	33
3-9	DC Brush Connections	34
3-10	Step Motor Pulse and Direction Mode Connections	35
3-11	Step Motor SPI Communication Connections	36
4-1	High Level System Diagram	39
4-2	Internal Block Diagram	40
4-3	Commutation Control Sequence	42
4-4	Phasing Reference Signals	44
4-5	Current Loop Control Flow	45
4-6	Individual Phase Control Calculation Flow	47
4-7	Field Oriented Control Calculation Flow	49
4-8	Third Leg Floating Control	51
4-9	Power Stage Control Flow	53
4-10	Current Foldback Processing Example	63
4-11	Pulse and Direction Signal Input Mode Control Flow	65
4-12	User Memory Space and Buffers	68
4-13	Example Motion Trace Capture	69
4-14	Trace Data Format	74
4-15	High-Level Format of a PSF (PMD Structured Data Format) Memory Space	75
4-16	PSF Data Segment Format	76
4-17	Initialization Commands Segment Format	77
4-18	Parameter List Segment Format	78
4-19	Format of Parameter Assignment Entry	79
4-20	Example PSF Memory Space Image	81
4-21	SPI Communications Protocol Overview	83
4-22	Sending a Voltage or Torque Output Value	83
5-1	SPI Communications Protocol Overview	85
5-2	Sending a Voltage or Torque Output Value	88
5-3	Amplifier Disable Command Format	89

5-4	NOP Command Format	89
5-5	Send Command Format	90
5-6	Query Command Format	91
A-1	Developer Kit Components (four-axis version shown)	155
A-2	Thermal Transfer Material Attachment	157
A-3	Vertical Atlas Installation into DK Board	157
A-4	Attaching Atlas Units to Vertical Plate	158
A-5	Horizontal Atlas Units and Heat Sink	159
A-6	Horizontal Atlas Installation into DK Board	159
A-7	Connecting DB9 Cable to DK Board	160
A-8	Component Placement of Vertical and Horizontal DK Boards (four-axis version shown)	162
A-9	Vertical Unit Pinouts	165
A-10	Horizontal Unit Pinouts	166
A-11	Mounting Atlas to L-bracket Plates (four-axis, vertical version shown)	168
A-12	Top and Front Views of Four-Axis Horizontal Atlas DK L-bracket Vertical Plate	169
A-13	Top and Front Views of One-Axis Horizontal Atlas DK L-bracket Vertical Plate	169
B-1	Brushless DC Atlas With Single-Axis Magellan	173
B-2	DC Brush & Step Motor Atlas With Multi-Axis Magellan	175
B-3	Step Motor Atlas Operating In Pulse & Direction Mode	177
B-4	DC Brush Atlas With PIC Microcontroller	179
B-5	Step Motor Atlas With ARM Microcontroller	181
B-6	Atlas Interfacing Via A Daughter Card #1	184
B-7	Atlas Interfacing Via A Daughter Card #2	185
B-8	Multi-motor Atlas With MC58113 Motion Control IC	187

1. Introduction

In This Chapter

- ▶ Atlas Digital Amplifier Overview
- ▶ Typical Applications
- ▶ Features and Functions
- ▶ Atlas Developer Kits

1.1 Atlas Digital Amplifier Overview

Atlas Digital Amplifiers are single-axis amplifiers that provide high performance torque control of brushless DC, step motor, and DC Brush motors. They accept digital torque commands from an external source and are used directly for motor torque control applications, or in conjunction with higher level controllers for velocity or positioning applications. Their very compact size and range of power output levels make them an ideal solution for single-card machine controllers that require high performance in a small envelope.

Atlas digital amplifiers provide many advanced control features including user-programmable gain parameters, performance trace, field oriented control, and I²t current management. Atlas amplifiers are powered from a single supply voltage, and provide automatic protection from overcurrent, undervoltage, overvoltage, overtemperature, and short circuit faults.

The Atlas digital amplifier family has been designed to work seamlessly with PMD's Magellan family of motion control ICs. Alternatively, they can be used with dedicated FPGAs, digital signal processors, or general purpose microprocessors. Communication to/from Atlas amplifiers is via SPI (Serial Peripheral Interface) using a simple, packet-oriented protocol. For step motors, in addition to the SPI format a dedicated pulse & direction input mode is provided.

Atlas amplifiers are packaged in plastic and metal solderable modules and are available in an ultra compact package size with a total footprint of 1.4 inch² (9.0 cm²) and a compact package size with a footprint of 2.6 inch² (16.8 cm²). They come in three power levels; 75 watts, 250 watts, and 500+ watts and utilize standard through-hole pins for all electrical connections.

Atlas amplifiers are provided in both vertical and horizontal mounting configurations and have integral attachment tabs to allow for a variety of mechanical mounting and heat sink options. The following table shows the available configurations of the Atlas Digital Amplifiers:

P/N	Power Level (continuous)	Voltage	Size	Mounting Style	Motor Type
Step Motor					
MD241048/02VB	Low (75W)	12-48V	Ultra compact	Vertical	Step Motor
MD241048/02HB	Low (75W)	12-48V	Ultra compact	Horizontal	Step Motor
MD241048/05VB	Medium (250W)	12-48V	Ultra compact	Vertical	Step Motor
MD241048/05HB	Medium (250W)	12-48V	Ultra compact	Horizontal	Step Motor
MD141056/25VB	High (500+W)	12-56V	Compact	Vertical	Step Motor
MD141056/25HB	High (500+W)	12-56V	Compact	Horizontal	Step Motor

Brushless DC						
MD231048/02VB	Low (75W)	12-48V	Ultra compact	Vertical	Brushless DC	
MD231048/02HB	Low (75W)	12-48V	Ultra compact	Horizontal	Brushless DC	
MD231048/05VB	Medium (250W)	12-48V	Ultra compact	Vertical	Brushless DC	
MD231048/05HB	Medium (250W)	12-48V	Ultra compact	Horizontal	Brushless DC	
MD131056/25VB	High (500+W)	12-56V	Compact	Vertical	Brushless DC	
MD131056/25HB	High (500+W)	12-56V	Compact	Horizontal	Brushless DC	
DC Brush						
MD211048/02VB	Low (75W)	12-48V	Ultra compact	Vertical	DC Brush	
MD211048/02HB	Low (75W)	12-48V	Ultra compact	Horizontal	DC Brush	
MD211048/05VB	Medium (250W)	12-48V	Ultra compact	Vertical	DC Brush	
MD211048/05HB	Medium (250W)	12-48V	Ultra compact	Horizontal	DC Brush	
MD111056/25VB	High (500+W)	12-56V	Compact	Vertical	DC Brush	
MD111056/25HB	High (500+W)	12-56V	Compact	Horizontal	DC Brush	
Multi-Motor						
MD281048/02VB	Low (75W)	12-48V	Ultra compact	Vertical	Multi-motor*	
MD281048/02HB	Low (75W)	12-48V	Ultra compact	Horizontal	Multi-motor*	
MD281048/05VB	Medium (250W)	12-48V	Ultra compact	Vertical	Multi-motor*	
MD281048/05HB	Medium (250W)	12-48V	Ultra compact	Horizontal	Multi-motor*	
MD181056/25VB	High (500+W)	12-56V	Compact	Vertical	Multi-motor*	
MD181056/25HB	High (500+W)	12-56V	Compact	Horizontal	Multi-motor*	

*Multi-motor motor type allows the Atlas to be configured by the user to drive either Step Motor, Brushless DC, or DC Brush motor type.

This manual provides a description of the electrical and mechanical specifications for the Atlas Digital Amplifiers, along with a summary of its operational features. For complete documentation on all aspects of the Atlas Digital Amplifier including a programmers command reference refer to *Atlas Digital Amplifier Complete Technical Reference*. For more information on the Magellan Motion Control IC consult the *Magellan Motion Control IC User Guide*.

1.2 Typical Applications

The following section provides overview diagrams of typical applications utilizing the Atlas amplifier products.

1.2.1 Single Axis Positioning Motion Controller

The diagram below shows a PMD MC58113 Motion Control IC sending torque commands to an Atlas Amplifier to provide positioning control of a brushless DC, DC Brush, or Step Motor.

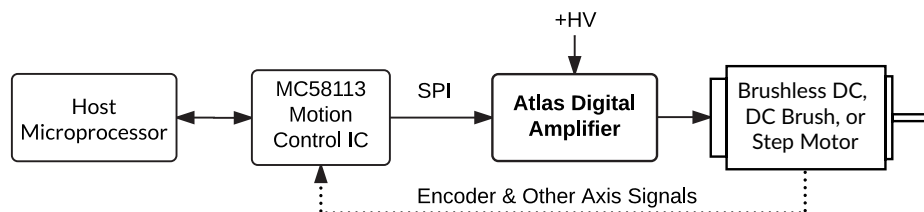


Figure 1-1:
Single Axis
Magellan With
Atlas Amplifier

1.2.2 Multi Axis Positioning Motion Controller

The diagram below shows a PMD Magellan MC58000 series or MC55000 series multi-axis motion control IC being used with two or more Atlas Amplifiers to provide control of brushless DC, DC Brush, or Step Motors in a positioning application. If desired each axis can control a different motor type, so that, for example, brushless DC motors can be used along with step motors in the same controller.

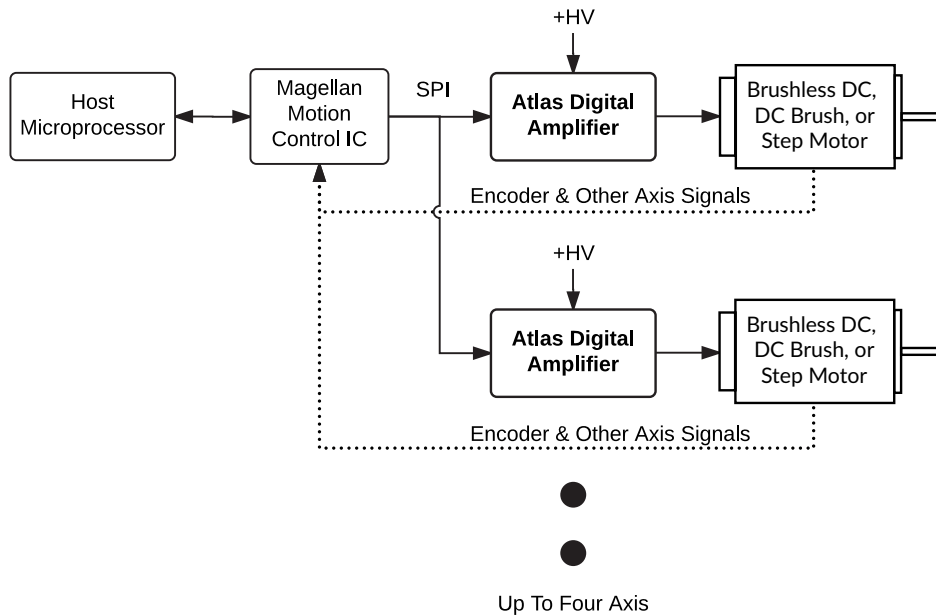


Figure 1-2:
Multi Axis
Magellan With
Atlas
Amplifiers

1.2.3 Microprocessor-Based Motion Controller

The diagram below shows the Atlas Amplifier being driven by a general purpose microprocessor that provides high level path generation and servo loop closure and outputs continuous desired torque commands or desired position increments for step motors to the Atlas Amplifier via the SPI (Serial Peripheral Interface).

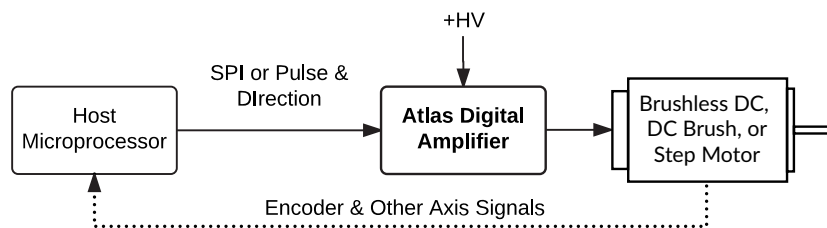
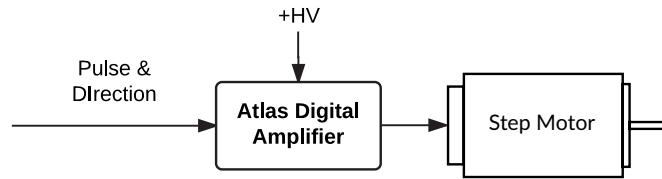


Figure 1-3:
Direct Host
Microprocessor
With Atlas
Amplifiers

1.2.4 Stand Alone Step Motor Amplifier

The diagram below shows the Atlas Amplifier being directly driven by pulse & direction signals. These signals may come from a microprocessor, a control card, or any other existing motion control device that outputs pulse & direction signals. In this mode the Atlas unit operates 'stand-alone,' and utilizes configuration control parameters previously stored into the Atlas unit's NVRAM (non-volatile) memory.

**Figure 1-4:
Direct Host
Microprocessor
With Atlas
Amplifiers**



There are a few options for configuring Atlas units for stand alone operation:

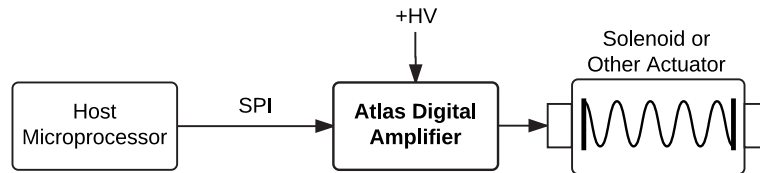
- Pro-Motion can be used with the Atlas Developer Kit to program Atlas units
- The user can develop their own NVRAM programming system by utilizing the SPI (Serial Peripheral Interface) Atlas command protocol. For more information refer to the *Atlas Digital Amplifier Complete Technical Reference*.
- PMD offers custom pre-configured Atlas units. For more information contact your local PMD sales representative.

1.2.5 Force Control

The Brushless DC and DC Servo Atlas units can be used for general purpose force control applications such as remote teleoperation, force feedback, solenoid actuation, and any other general purpose valve/actuator control where a precisely controllable current is needed.

In this application the torque command may be sent continuously by the host microprocessor or from time to time as required by the application. In either case the Atlas provides very accurate current/torque control resulting in smooth and precise application of force.

**Figure 1-5:
Atlas Force
Control**



1.3 Features and Functions

The Atlas family of amplifiers provide an extensive list of functions, including:

- Available in Brushless DC, DC Brush, Step Motor, and multi-motor motor types
- High performance all-digital power amplifier
- Works with Magellan ICs, FPGAs or microprocessor-based controllers
- Digital SPI interface eliminates analog +/- 10V signals
- Available in 75W, 250W, and 500W+ power levels
- Rugged plastic solderable module format uses standard through-hole pins
- Total power output to 1Kilowatt
- Available in ultra compact 1.05" x 1.05" x .53" (27mm x 27mm x 13mm) size or compact 1.52" x 1.52" x .60" (39mm x 39mm x 15mm) size

- Horizontal and vertical mount configurations
- Includes rugged mechanical tab mounts
- Supply voltage range of 12V up to 56V
- High current output up to 14A continuous, 25A peak
- Digital current loop with choice of standard A/B or Field Oriented Control (FOC)
- Direct signal pulse and direction input
- I^2t current foldback limiting
- Overcurrent, overvoltage, undervoltage, overtemperature, and SPI command watchdog timeout protection
- Single DC supply operation.
- Enable input and FaultOut output safety interlock signals
- SPI (Serial Peripheral Interface) up to 8 MHz
- Performance trace of up to 1,020 words and four simultaneous variables
- 1,024 word non-volatile parameter storage
- Microstepping control with up to 256 microsteps per full step
- Signal conditioning buffers and analog filters on all I/O signals
- Fully RoHS compliant and CE marked

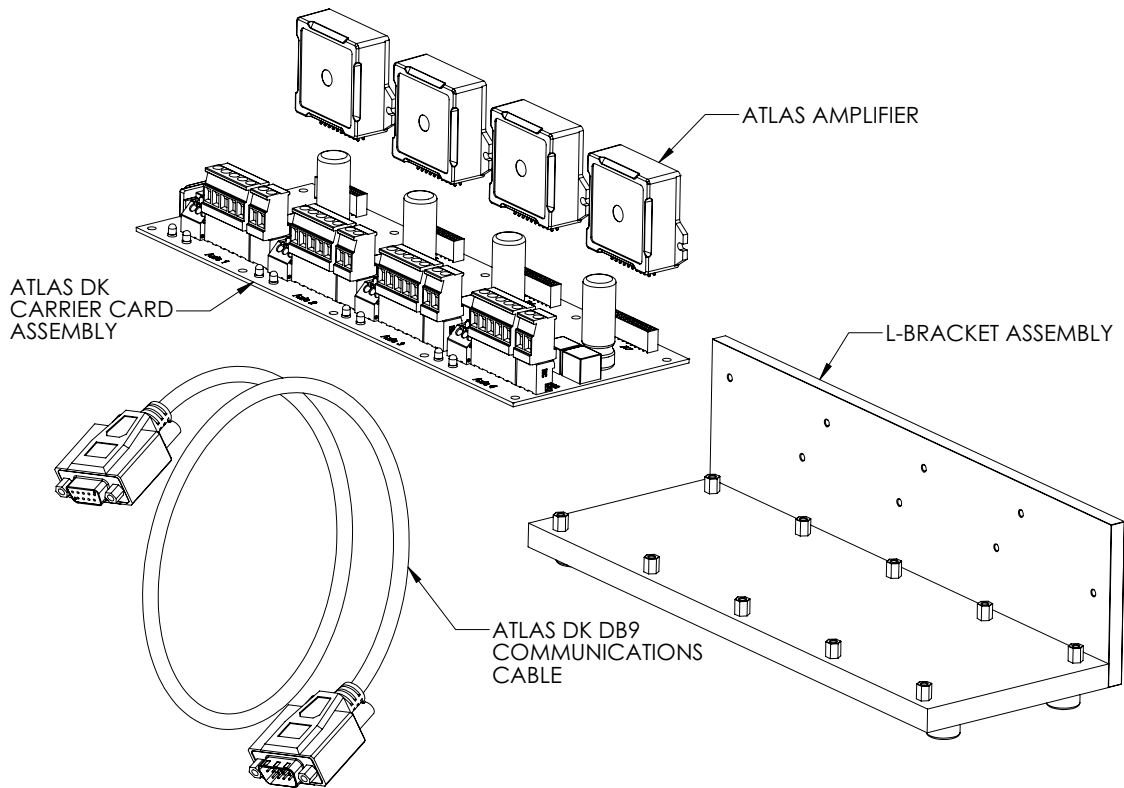
1.4 Atlas Developer Kits

To simplify development, four different Atlas Developer Kits are available, reflecting a choice of one or four axis board, and a choice of two different Atlas mounting configurations; vertical and horizontal. The following table shows this:

Developer Kit P/N	# of Axes	Atlas Type
MDK1LI0000V	1	Vertical
MDK1LI0000H	1	Horizontal
MDK4LI0000V	4	Vertical
MDK4LI0000H	4	Horizontal

[Figure 1-6](#) shows an overview of an Atlas Developer Kit assembly. The particular assembly shown is for a four axis vertical DK, but the overall elements are similar for one axis developer kits. Horizontal developer kits are also similar except that there is no vertical plate included. Note that the Atlas units shown in the figure are not included with the developer kit and must be purchased separately.

**Figure 1-6:
Developer Kit
Components**



The following software and hardware components are included in every Atlas Developer Kit:

- Pro-Motion Windows-based exerciser software
- C-Motion and VB-Motion SDK
- PDFs of all documentation
- Atlas DK DB9 communications cable

The Atlas DK boards are designed for direct use with the compact Atlas format however each DK includes converter cards that allow the ultra compact Atlas to be plugged into the compact Atlas DK board socket.

Vertical Atlas DKs include an L-bracket vertical plate which provides a stable mechanical base from which you can operate your prototype system motors. With the vertical plate, the Atlas units have additional heat sinking, which can be extended further by connecting the vertical plate to your own heat sink or cold plate. Horizontal Atlas DKs utilize individual heat sinks which are included with the DK.

Electrical connection to the Atlas DK board is made by DB9 connector, and by jack screw connectors. Designers who plan to use the Atlas in conjunction with PMD's Magellan Motion Control ICs can connect the Atlas DK to the MC58113 or Magellan DK card, purchased separately. For more information on these products see one of the available Magellan Motion Control IC developer kit user manuals.

Refer to [Appendix A, "Atlas Developer Kits"](#) for complete information on ordering, setting up and operating the Atlas DK.

2. Functional Characteristics

In This Chapter

- ▶ Operational Specifications
- ▶ Physical Dimensions
- ▶ Mechanical Mounting Options

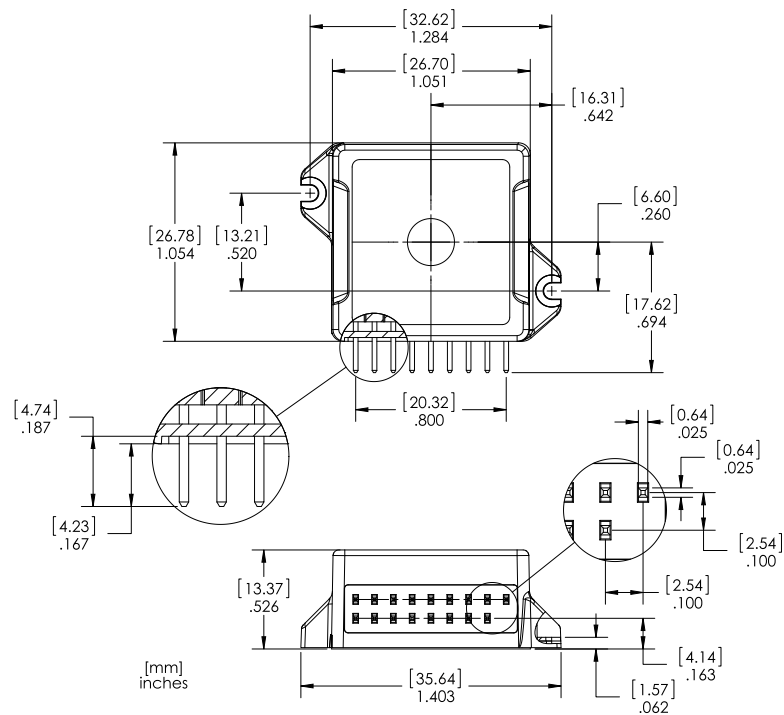
2.1 Operational Specifications

Operating Parameter	Value
Motor types supported:	Brushless DC, DC Servo, Step Motor
Communication format:	SPI (Serial Peripheral Interface)
SPI clock frequency range:	2.0 MHz to 8.0 MHz
Torque command rate:	up to 9.7 kHz
Current measurement resolution:	12 bits
Current loop type:	P, I (proportional, integral) with Integral limit
Current loop resolution:	16 bits
Current loop rate:	19.530 kHz
Current loop modes:	individual phase, field oriented control, third leg floating
Safety functions:	over current detect, programmable over temperature detect, programmable overvoltage detect, programmable under voltage detect, programmable I ² t current foldback, SPI command watchdog timeout
Output limiting:	Programmable I ² t energy, current, and voltage limit
Command modes:	SPI voltage, SPI torque, pulse & direction signal
PWM rate:	20 kHz, 40 kHz, 80 kHz, or 120 kHz
PWM generation modes:	sinusoidal, space vector modulation, standard single-phase
Pulse & direction rate:	1.0 M Pulses/sec
Microsteps per full step:	up 256 per full step
Trace capture modes:	one time, rolling-buffer
Trace trigger modes:	internal clock, external by controller
Trace buffer size:	1,020 16-bit words
NVRAM storage size:	1,024 16-bit words

2.2 Physical Dimensions

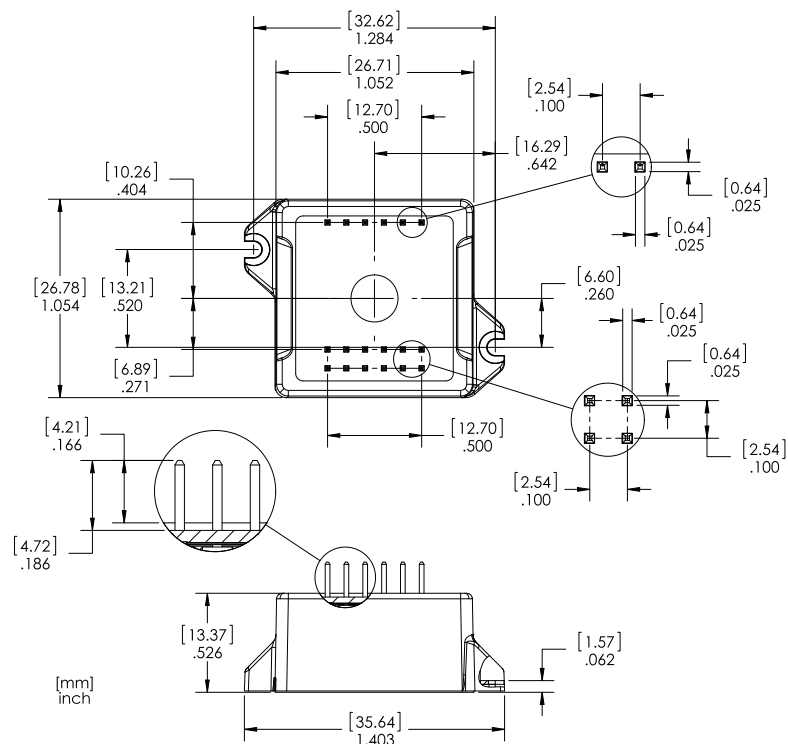
2.2.1 Vertical Unit, Ultra Compact Package

Figure 2-1:
Vertical Unit -
Ultra Compact
Package



2.2.2 Horizontal Unit, Ultra Compact Package

Figure 2-2:
Horizontal Unit -
Ultra Compact
Package



2.2.3 Vertical Unit, Compact Package

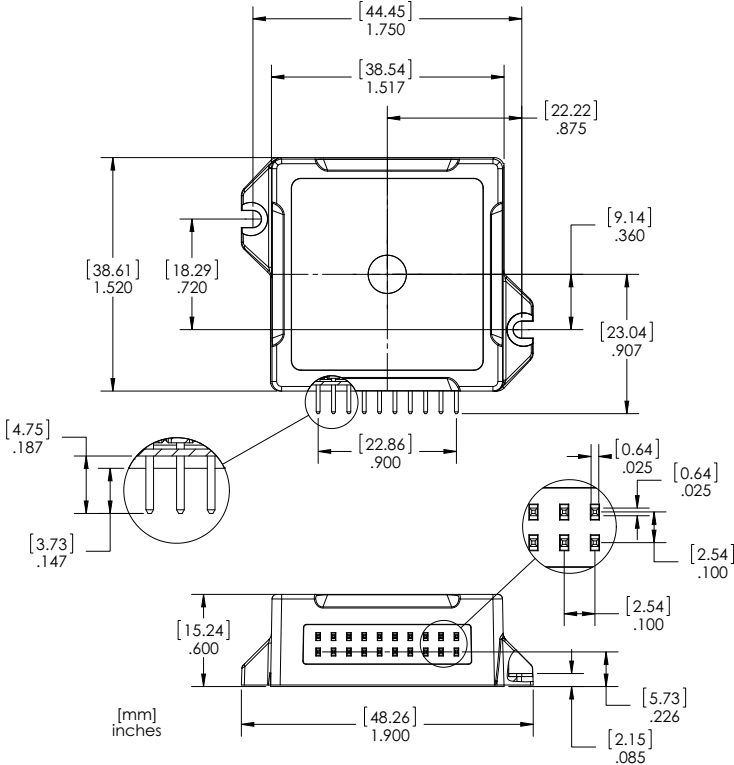


Figure 2-3:
Vertical Unit -
Compact
Package

2.2.4 Horizontal Unit, Compact Package

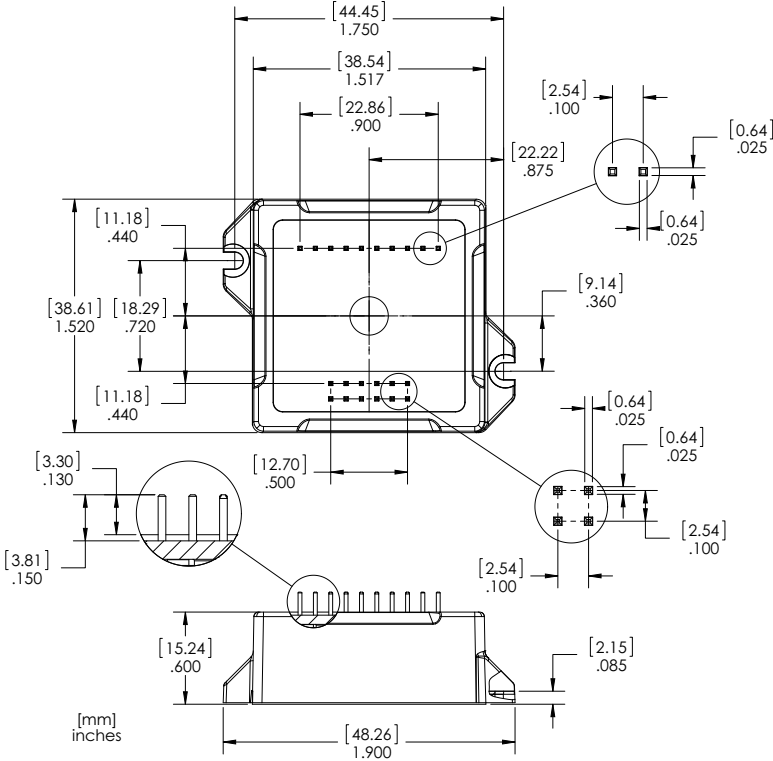


Figure 2-4:
Horizontal Unit
- Compact
Package

2.3 Mechanical Mounting Options

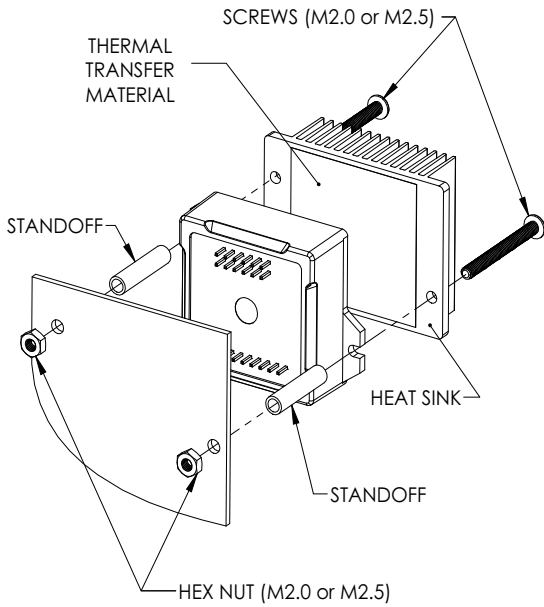
Atlas amplifiers are provided in two separate package sizes, ultra compact and compact, and in two separate mounting configurations; vertical and horizontal. There are some very low power applications where the Atlas unit may be mounted without mechanical attachment to the screw tabs. In such cases mechanical attachment to the PCB occurs via the electrical solder connections.

Most applications however will utilize the Atlas unit's integral screw tab mounts to rigidly connect the Atlas to the PCB, to a heat sink, or to some other mechanical support. As shown in Figure 2-5 there are a number of Atlas mounting options available when using the Atlas screw tabs. The choice of the mounting hardware depends on the demands of the application.

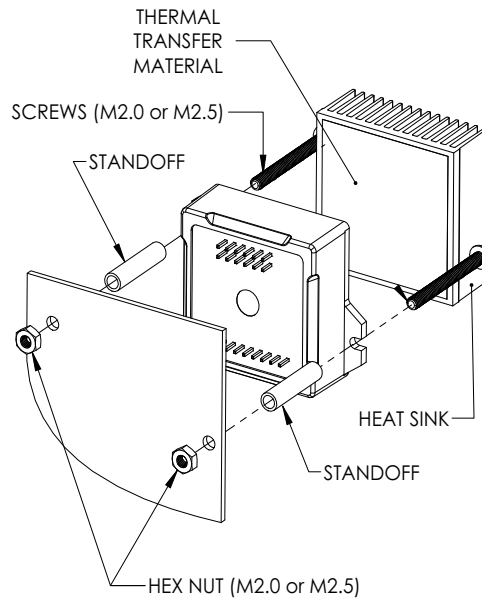
The following table provides information related to the mechanical screw tab mounts:

Atlas Package	Recommended screw type	Maximum screw head diameter	Maximum screw body diameter
Ultra Compact	M2.0	4.2 mm	2.2 mm
Compact	M2.5	5.4 mm	2.8 mm

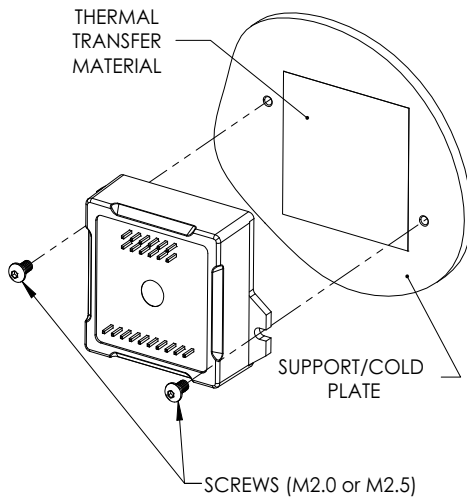
Figure 2-5:
Horizontal &
Vertical Unit
Mounting
Options



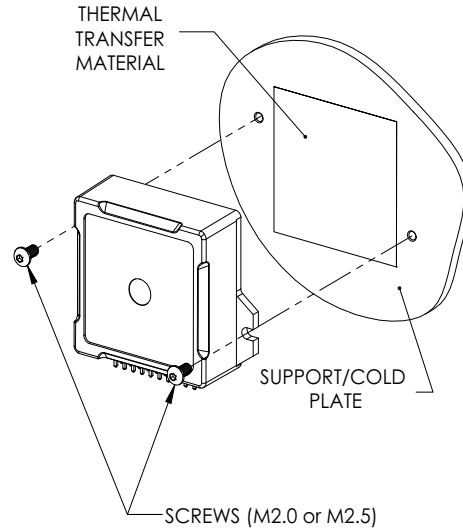
A Horizontal Unit, Mechanical Mount Through Heat Sink to PCB



B Horizontal Unit, Mechanical Mount to PCB



C Horizontal Unit, Mechanical Mount to Support/Cold Plate



D Vertical Unit, Mechanical Mount to Support/Cold Plate

2.3.1 Mounting Guidelines

Atlas amplifiers, while designed to be robust and easy to install, contain active electronics that can only function reliably when the mechanical integrity and operating environment of the Atlas is maintained. The next three sections

provide important recommendations and guidelines for the configuration, selection, placement, mounting method, and installation procedure for Atlas amplifiers.

Choice of vertical or horizontal Atlas. The horizontal configuration of Atlas is recommended for applications where the Atlas is not mechanically mated to a supporting plate and where vibration or movement-related forces may be present. When the Atlas unit is mechanically mated to a supporting plate, either the horizontal or the vertical configuration may be used. [Figure 2-5C](#) and [Figure 2-5D](#) show the Atlas unit mechanically mated to a supporting plate.

Attaching Atlas to a supporting plate. Some Atlas applications will utilize a supporting plate for heat removal or for enhanced mechanical stability. For Atlas installations that may be subject to vibration or movement-related forces and that utilize a supporting plate, special care should be taken to insure that there is no movement between the circuit card that the Atlas is soldered or socketed to and the supporting plate which the Atlas is mechanically attached to. Such movement could result in damage to the Atlas unit, the circuit card, or the supporting plate.

Attaching Atlas to a free-standing heatsink. Some Atlas applications will utilize a free standing heat sink, such as is shown in [Figure 2-5A](#) and [Figure 2-5B](#). Free standing heat sinks are recommended with horizontal Atlas units but are not recommended for use with vertical Atlas units. When mounting Atlas units with free standing heat sinks special care should be taken where vibration or movement-related forces may be present. These forces, acting on the additional mass of the heat sink, may impart excessive mechanical stress on the Atlas resulting in damage to the Atlas unit, the circuit card, or the heat sink. Depending on the nature and magnitude of the forces, in these applications mounting the Atlas to a supporting plate may be preferred.

Choice of socket or solder connection to the circuit card. For best electrical contact to the printed circuit board (PCB), connection by soldering to the Atlas is generally recommended. This is particularly true for Atlas units that are not mated to a supporting plate. When the Atlas unit is mounted to a supporting plate either solder or socket electrical connections may be used, with solder connections recommended for applications benefitting from rigid connection of the Atlas to the PCB, and sockets being recommended when greater mechanical isolation of the PCB from the mechanical support is desired.



Some of the electrical ratings of the Atlas may not be achievable when electrical connection to the Atlas is via sockets rather than via soldering. It is the responsibility of the user to determine whether a particular motor output current and voltage rating may be achieved with a given socket.

2.3.2 Thermal Transfer Materials

Thermal transfer materials in the form of thermal tape, pads, paste, or epoxy may be used to improve thermal transfer between the Atlas' metal plate and an attached heat sink or supporting plate. These materials improve thermal conductivity by filling in air gaps that form when two metallic surfaces are mated.

[Figure 2-5](#) shows a typical application of a thermal transfer material between the Atlas and a heat-removing metal surface. The following guidelines may be helpful in selecting and sizing the thermal transfer material best-suited to your application.

The capacity of thermal transfer materials to transfer heat (known as the bulk conductivity) is much lower than that of metals such as aluminum or copper. Therefore, in general, the thinner the transfer material the better. Thickness of the material is only precisely controllable for thermal pads and thermal tapes, with thermal pads providing the thinnest available interfaces beginning at 5 mils (.127 mm) or even less. For use with Atlas amplifiers thermal transfer materials that are thicker than 40 mils (1.0 mm) are not recommended regardless of the material used.

When using thermal paste or thermal epoxy glue the thickness should be carefully controlled via a silk screen or other wet film application process. The Atlas unit itself should not be used to squeeze non-uniformly applied paste or epoxy flat during installation. Doing so may result in damage to the Atlas.

Whether using tape, pads, paste, or epoxy, as shown in [Figure 2-6](#), the thermal transfer material that is used as the interface should not extend to the area under the Atlas' tabs because this may reduce the amount of compression that occurs in the thermal transfer area. The following table provides dimensions for the applied thermal transfer material for the two available Atlas package sizes:

Atlas Package Size	Maximum Pad Dimensions
Ultra Compact	.1.00" x .95" (25.4 mm x 24.1mm)
Compact	1.40" x 1.50" (35.6 mm x 38.1 mm)

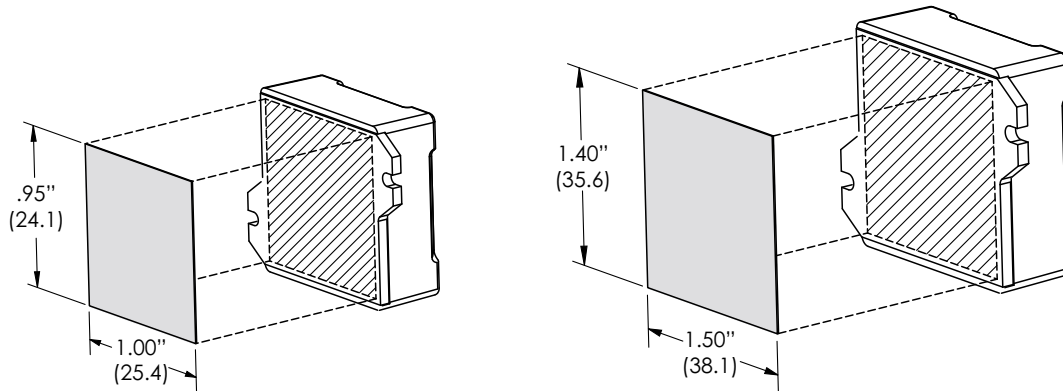


Figure 2-6:
Recommended
Atlas Unit
Thermal
Transfer
Material
Dimensions

2.3.3 Atlas Installation

There are a number of precautions and procedures that should be followed to maintain the electrical and mechanical integrity of the Atlas unit during installation.

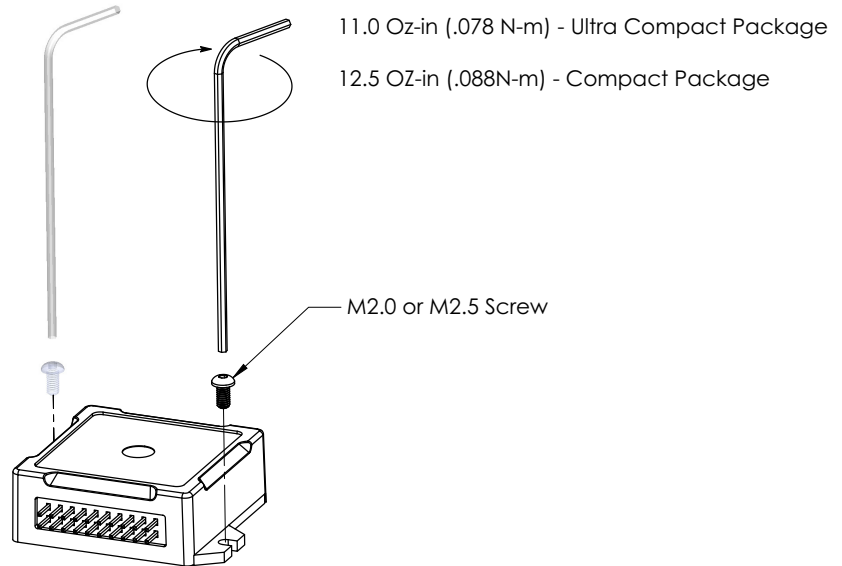
Soldering Atlas units in place. Applications that utilize Atlas units that are not mechanically mated to a heat sink or that are mated to a self-standing heat sink may utilize a standard soldering process without special precautions or procedures. Applications that involve Atlas units mated to a supporting plate and that will be soldered to the PCB should take special care to insure that the solder joints are not stressed by the supporting plate once installed. The recommended method to achieve this is to mechanically mate the Atlas to the supporting plate before soldering the Atlas into the PCB. If, for whatever reason, this is not possible, then special care should be taken to insure that the Atlas is precisely aligned with the supporting plate after soldering and before mechanical attachment so that upon mechanical attachment no stress is placed on the Atlas unit, the solder contacts, or the PCB.

Mounting surface flat and clean. Thermal performance as well as safe operation of the Atlas requires that the surface that the Atlas is mounted to be flat and clean, free of dust, grease, or foreign objects. The recommended maximum deviation of the mating surface flatness is 3 mils (.076 mm).

Mechanical mounting limits. Applications that will utilize a mechanical attachment to the Atlas via the Atlas's mounting tabs should take special care not to overstress the mechanical tabs. Regardless of the attachment method, which is most commonly screws but may also be clips or inserts, the linear force applied to each mechanical tab should not exceed certain values as shown in the following table and the accompanying [Figure 2-7](#).

Atlas Package Size	Maximum Direct Force Per Tab	Screw Type, Corresponding Maximum Rotary Torque
Ultra Compact	25 pounds (111 N)	M2.0 x .40, 11.0oz-in (.078 N-m)
Compact	35 pounds (156 N)	M2.5 x .45, 12.5oz-in (.088 N-m)

**Figure 2-7:
Atlas Torque
Specifications**



Mechanical mounting procedure. Atlas units that are mated to a heat sink or mechanical plate should be attached by progressively tightening both of the Atlas unit's tabs. This means that one screw may be tightened, followed by the other, than back to the first etc. until the desired torque at each screw has been achieved. Following this procedure is particularly important when installing Atlas units over paste or epoxy, where the subsurface layer will undergo compression and movement before settling to a final installed position.



To ensure that proper contact exists between the Atlas and the entire thermal transfer material substrate, and to ensure that the Atlas unit is not damaged via mechanical overstress, the user should carefully apply equal torque increments to each tab screw, never exceeding at any point the torque limit on either tab of 25 lbs (111 N) linear force or 11.0 oz-in (.078 N-m) rotary torque using a M2.0 x .40 screw for the ultra compact Atlas package, and 35 lbs(156N) linear force or 12.5oz-in (.088 N-m) rotary torque using a M2.5 x .45screw for the compact Atlas package.



It is the responsibility of the user to ensure that all Atlas units have been installed within the above prescribed mechanical stress limits and following the above described procedures. Failure to observe any of the above recommended procedures and limits may result in incorrect operation or failure of the Atlas during operation.

3. Electrical Specifications

In This Chapter

- ▶ Drive Ratings
- ▶ Absolute Maximum Ratings
- ▶ Environmental Ratings
- ▶ Safety and Compliance
- ▶ DC Characteristics
- ▶ AC Characteristics
- ▶ Pin Descriptions and Pinouts
- ▶ Signal Interfacing
- ▶ Connection Overview
- ▶ Heat Sink Grounding
- ▶ Atlas Conversion Factors

3.1 Drive Ratings

3.1.1 Low Power Units (P/Ns MD2x1048/02xB)

Specifications*	DC Brush Motor	Brushless DC Motor	Step Motor
Nominal supply voltage	12-48 VDC	12-48 VDC	12-48 VDC
Continuous current	1.5 ADC	1.5 Arms	1.5 Arms
Peak current (per phase)	3.8 A	3.8 A	3.8 A
Maximum continuous power	72 W	88 W	102 W

* transformer isolated power supply, T < 40° C

A coldplate or a heatsink in an environment with sufficient airflow can be used to achieve the above drive ratings.

For temperature operation beyond the standard 0-40° C range, above-listed ratings may change. Contact your PMD representative for additional information on Atlas extended temperature operation including higher temperature drive ratings.

3.1.2 Medium Power Units (P/Ns MD2x1048/05xB)

Specifications*	DC Brush Motor	Brushless DC Motor	Step Motor
Nominal supply voltage	12-48 VDC	12-48 VDC	12-48 VDC
Continuous current	7.0 ADC	5 Arms	4.5 Arms
Peak current (per phase)	12.5 A	12.5 A	12.5 A
Maximum continuous power	336 W	294 W	305 W

* transformer isolated power supply, $T < 40^{\circ}\text{C}$

A coldplate or a heatsink in an environment with sufficient airflow can be used to achieve the above drive ratings.

For temperature operation beyond the standard 0-40° C range, above-listed ratings may change. Contact your PMD representative for additional information on Atlas extended temperature operation including higher temperature drive ratings.

3.1.3 High Power Units (P/Ns MD2x1056/25xB)

Specifications*	DC Brush Motor	Brushless DC Motor	Step Motor
Nominal supply voltage	12-56 VDC	12-56 VDC	12-56 VDC
Continuous current	14.0 ADC	10.0 Arms	9.0 Arms
Peak current (per phase)	25.0 A	25.0 A	25.0 A
Maximum continuous power	670 W	590 W	610 W

* transformer isolated power supply, $T < 40^{\circ}\text{C}$

A coldplate or a heatsink in an environment with sufficient airflow can be used to achieve the above drive ratings.

For temperature operation beyond the standard 0-40° C range, above-listed ratings may change. Contact your PMD representative for additional information on Atlas extended temperature operation including higher temperature drive ratings.

3.2 Absolute Maximum Ratings

Parameter	Rating
HV voltage range, low power units	0 V to +52 V
HV voltage range, medium power units	0 V to +52 V
HV voltage range, high power units	0 V to +60 V
~Enable voltage range	-10 V to +24 V
SPISl, SPIClk, ~SPICS voltage range	-0.5 V to 6.5 V
SPISO voltage range	-0.5 V to 3.7 V
FaultOut voltage range	-0.3 V to 24 V
FaultOut output current	-35 μA to 50 mA
5V output current, low power units	50 mA
5V output current, medium power units	50 mA
5V output current, high power units	100 mA



All voltage values are with respect to GND unless otherwise noted.

3.3 Environmental Ratings

Specification	Value
Operating ambient temperature	0 to 40 C
Maximum base plate temperature	75 C
Storage temperature	-20 to 85 C
Reflow soldering temperature	300 C (1.5mm for 10 seconds)
Humidity	0 to 95%, non-condensing
Altitude	Up to 2,000 meters without derating
Contamination	Pollution Degree 2

3.4 Safety and Compliance

Specification	Standard
CE	LVD: EN60204-1 EMC-D: EN61000-6-1, EN61000-6-3, EN55011
Electrical safety	Designed to UL508C, UL840 and EN60204-1
Hazardous materials	RoHS compliant
Flammability	UL94-HB
Enclosure	IP20

3.5 DC Characteristics

3.5.1 SPIS1, SPIC1k

Schmitt-trigger Input	Min	Max	Conditions
V ₊ , Positive-going input threshold voltage	1.6 V	2.0 V	
V ₋ , Negative-going input threshold voltage	0.9 V	1.2 V	
V _T , Hysteresis V ₊ -V ₋	0.6 V	1.0 V	
I _{IN} , input current		±1 uA	Input voltage is 5.5 V or GND

3.5.2 SPIS0

	Min	Max	Conditions
V _O , output voltage	0	3.3 V	
V _{OH} , Logic 1 output voltage	3.2 V		I _{OH} =-100 uA
	2.4 V		I _{OH} =-16 mA
V _{OL} , Logic 0 output voltage		0.1 V	I _{OL} =100 uA
		0.7 V	I _{OL} =16 mA
I _{OZ} , input current when ~SPICS is "1"		10 uA	V _O = 0 to 3.7 V

3.5.3 ~SPICS

	Min	TYP	Max	Conditions
V_{IH} , Logic 1 input voltage	2 V			
V_{IL} , Logic 0 input voltage			0.8 V	
I_{IN} , pull-up current		-500 μ A		

3.5.4 ~Enable

Schmitt-trigger input	Min	Max	Conditions
V_{+} , Positive-going input threshold voltage	1.6 V	2.0 V	
V_{-} , Negative-going input threshold voltage	0.9 V	1.2 V	
VT, Hysteresis $V_{+}-V_{-}$	0.6 V	1.0 V	

3.5.5 FaultOut

	Min	Max	Conditions
Output impedance with Logic 1 output	148 Kohm	152 Kohm	$I_{OH}=-100 \mu$ A
V_{OL} , Logic 0 output voltage		0.25 V	$I_{OL}=10$ mA

3.5.6 5V

	Min	Max	Conditions
Voltage tolerance, low power units	-5%	5%	Output current 0-50 mA
Voltage tolerance, medium power units	-5%	5%	Output current 0-50 mA
Voltage tolerance, high power units	-5%	5%	Output current 0-100 mA
Short circuit protection	Not available		

3.6 AC Characteristics

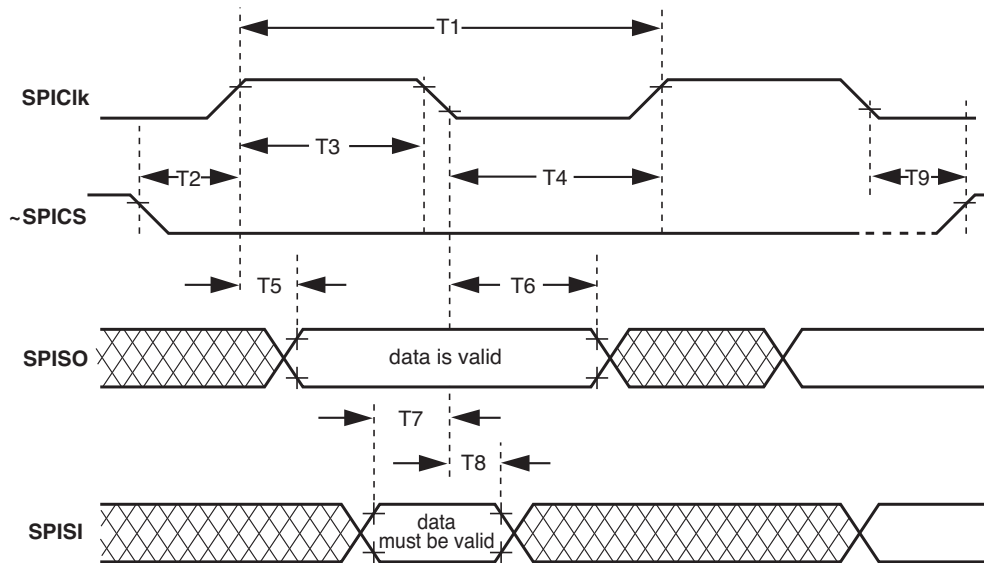


Figure 3-1:
Timing
Diagrams

See [Figure 3-1](#) for timing numbers.

Timing Interval	No.	Min	Max
T_{SPI} , SPI clock cycle time	T1	125 nsec	
Pulse duration, SPIClk high	T3	$(0.5 T_{SPI} - 10)$ nsec	
Pulse duration, SPIClk low	T4	$(0.5 T_{SPI} - 10)$ nsec	
SPIClk high to SPISO valid delay time	T5		30 nsec
SPISO data valid time after SPIClk low	T6	0 nsec	
SPISI setup time before SPIClk low	T7	30 nsec	
SPISI valid time after SPIClk low	T8	$(0.5 T_{SPI} - 6)$ nsec	
~SPICS low to first SPIClk high	T2	400 nsec	
Last SPIClk low to ~SPICS high	T9	$0.5 T_{SPI}$	

3.7 Pin Descriptions and Pinouts

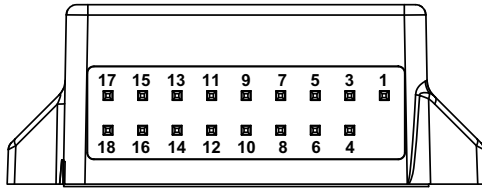
All Atlas units regardless of package size or mounting configuration provide a common set of signals and functions however the pin addresses and number of pins for various functions are different between the ultra compact Atlas units and the compact Atlas units. In addition, the pin addresses are different between the horizontal and vertical mounting configurations for each package size.

The following sections provide detailed pinouts for the two Atlas packages; ultra compact and compact, and the two mounting configuration; horizontal and vertical.

All Atlas unit pins are 0.1 inch spacing and 0.025inch pin width.

3.7.1 Atlas Pinouts - Ultra Compact, Vertical

Figure 3-2:
Atlas Pinouts -
Ultra Compact,
Vertical



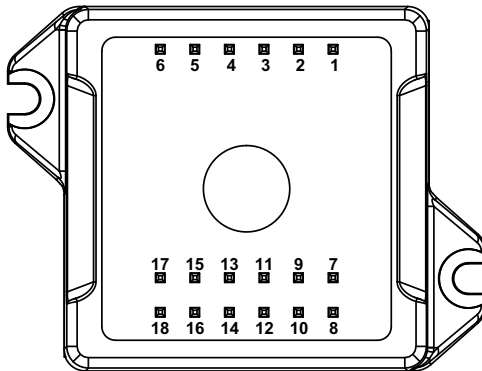
Pin	Name	Pin	Name
1	HV	2	
3	Motor A	4	Pwr_Gnd
5	Motor C	6	Motor B
7	Motor D	8	NC (No Connect)
9	NC (No Connect)	10	NC (No Connect)
11	~Enable	12	FaultOut
13	GND	14	5V
15	SPISO	16	~SPICS/AtRest
17	SPIClk/Pulse	18	SPIS/Direction



The ultra compact Atlas vertical package is keyed so that it is installation direction dependent. It has no physical pin installed at the Pin #2 location.

3.7.2 Atlas Pinouts - Ultra Compact, Horizontal

Figure 3-3:
Atlas Pinouts -
Ultra Compact,
Horizontal



Pin	Name	Pin	Name
1	Motor D	2	Motor C
3	Motor B	4	Motor A
5	HV	6	Pwr_Gnd
7	SPIS/Direction	8	SPIClk/Pulse
9	SPISO	10	~SPICS/AtRest

11	5V	12	GND
13	FaultOut	14	~Enable
15	GND	16	NC (no connect)
17	NC (no connect)	18	NC (no connect)

3.7.3 Atlas Pinouts - Compact, Vertical

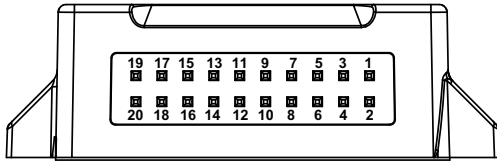


Figure 3-4:
Atlas Pinouts -
Compact,
Vertical

Pin	Name	Pin	Name
1	Pwr_Gnd	2	Pwr_Gnd
3	HV	4	HV
5	Motor A	6	Motor A
7	Motor B	8	Motor B
9	Motor C	10	Motor C
11	Motor D	12	Motor D
13	~Enable	14	FaultOut
15	5V	16	GND
17	~SPICs/AtRest	18	SPIS/Direction
19	SPIClk/Pulse	20	SPISO

The compact Atlas package provides additional power output via doubling of the HV, Pwr_Gnd, and Motor output pins. To achieve the rated unit power output be sure that both pins are connected.

The compact Atlas vertical package is not keyed and therefore care should be taken to install in the correct orientation.



3.7.4 Atlas Pinouts - Compact, Horizontal

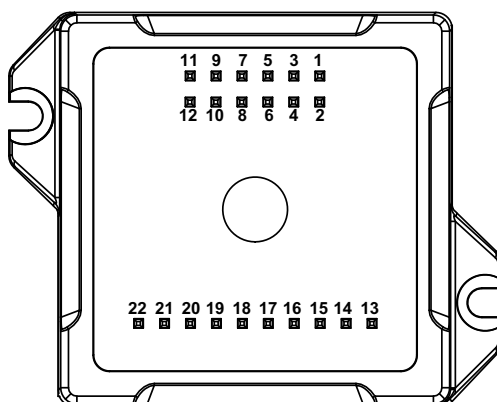


Figure 3-5:
Atlas Pinouts -
Compact,
Horizontal

Pin	Name	Pin	Name
1	Motor D	2	Motor D
3	Motor C	4	Motor C
5	Motor B	6	Motor B
7	Motor A	8	Motor A
9	HV	10	HV
11	Pwr_Gnd	12	Pwr_Gnd
13	5V	14	GND
15	~Enable	16	FaultOut
17	GND	18	~SPICS/AtRest
19	SPISO	20	SPIS/Direction
21	SPIClk/Pulse	22	GND

The compact Atlas package provides additional power output via doubling of the HV, Pwr_Gnd, and Motor output pins. To achieve the rated unit power output be sure that both pins are connected.

3.7.5 Pin Descriptions

Pin Name	Direction	Description
HV		DC power to Atlas module, referenced to Pwr_Gnd. The DC power source should be a transformer isolated power supply. For the compact Atlas package two pins carry this signal, so care should be taken to connect both pins.
Pwr_Gnd		Power return for HV, Motor A, Motor B, Motor C and Motor D. For the compact Atlas package two pins carry this signal, so care should be taken to connect both pins. For greatest EMI protection double shielded cables on the motor winding A, B, C, and D should be used with the inner shield connected to Pwr_Gnd and the outer shield connected to chassis ground.
Motor A		Motor output pin A. Used with Brushless DC, DC Brush, and Step Motors. For the compact Atlas package two pins carry this signal, so care should be taken to connect both pins.
Motor B		Motor output pin B. Used with Brushless DC, DC Brush, and Step Motors. For the compact Atlas package two pins carry this signal, so care should be taken to connect both pins.
Motor C		Motor output pin C. Used with Brushless DC, and Step Motors. For the compact Atlas package two pins carry this signal, so care should be taken to connect both pins.
Motor D		Motor output pin D. Used with Step Motors. For the compact Atlas package two pins carry this signal, so care should be taken to connect both pins.
~Enable	Input	~Enable is an active-low input. Should be tied or driven low for Atlas motor output to be active.
FaultOut	Output	FaultOut is high impedance when active. It provides programmable fault indication, and is low when inactive.
SPIClk/Pulse	Input	SPI input clock or Pulse signal. Pulse is used when Atlas is set to pulse & direction signal mode, and causes a position change command upon a high to low transition. Selection of signal interpretation for this pin is via the SPI communications bus. The default signal interpretation is SPIClk.
SPISO	Output	SPI data master in slave out signal. It goes to high impedance when ~SPICS is high. This pin is not used if Atlas is operating in pulse & direction signal mode.

Pin Name	Direction	Description
SPI/Direction	Input	SPI data master out slave in signal or Direction signal. Direction is used when Atlas is set to pulse & direction signal mode, and indicates the step direction. Low means the position decreases upon a high to low transition of the Pulse signal, and high means the position increases. Selection of signal interpretation for this pin is via the SPI communications bus. The default signal interpretation is SPI.
~SPICS/AtRest	Input	~SPICS signal or AtRest signal. ~SPICS enables SPI communication when transitioning low. The SPI block is disabled when ~SPICS is high. AtRest is used when Atlas is set to pulse & direction signal mode, and indicates that the step motor holding current should be used rather than the drive current. Selection of signal interpretation for this pin is via the SPI communications bus. The default signal interpretation is ~SPICS.
GND		Ground return for ~Enable, FaultOut, SPI or pulse & direction signals and 5V.
5V		5V output used to drive external circuitry.

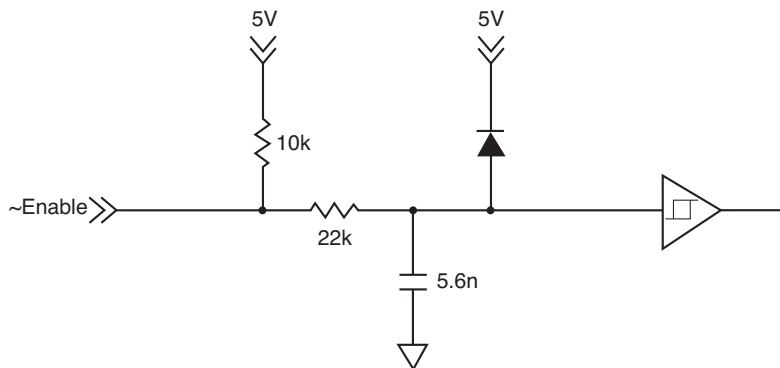
3.8 Signal Interfacing

3.8.1 \sim Enable

\sim Enable and FaultOut signals are typically used to implement a safety interlock between the Atlas module and other portions of the system.

\sim Enable is an active low input that must be tied or driven low for the Atlas power output to be active. Its input buffer is shown in [Figure 3-6](#). The circuit accepts signals in the range of 0-24V and has TTL compatible, Schmidt trigger thresholds. It has a pull-up to 5V to allow direct interfacing to open collector enable sources without external pull-up resistor and a 1.3kHz R-C low-pass filter to reject noise.

Figure 3-6:
Signal
Interfacing
 \sim Enable

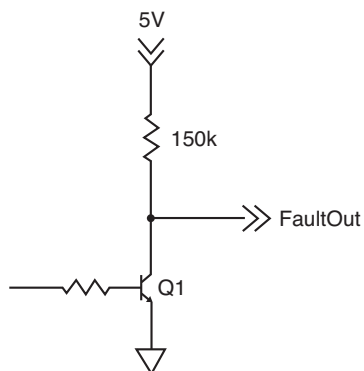


3.8.2 FaultOut

FaultOut is asserted high when a fault occurs. The external controller can select which fault conditions drive the *FaultOut* signal.

An Atlas FaultOut output circuit is shown in diagram [Figure 3-7](#). This circuit can continuously sink 50mA when pulled low. It has a 150kohm pull-up resistor to 5V. Its voltage range is 0 to 24V.

Figure 3-7:
Signal
Interfacing
FaultOut



3.9 Connection Overview

3.9.1 Brushless DC Motors

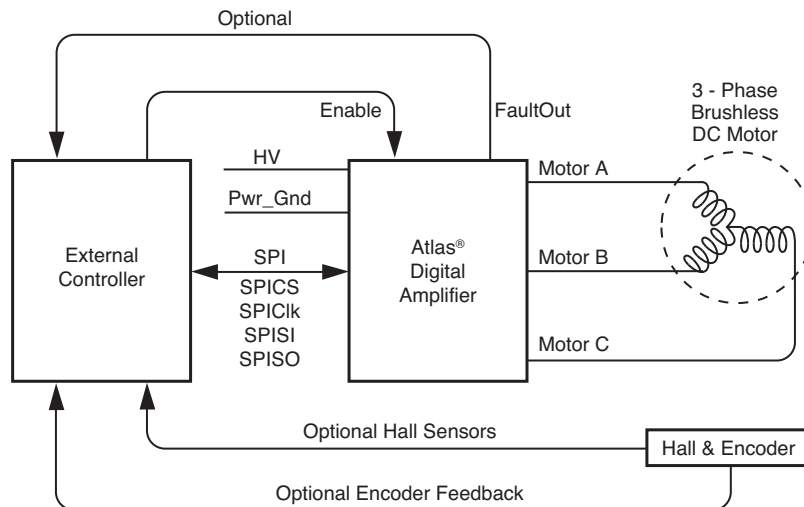


Figure 3-8:
Brushless DC
Connections

The following table summarizes the recommended connections when connecting Atlas amplifiers to brushless DC motors

Type	Required Connections	Optional Connections
Power	HV, Pwr_Gnd	
Communication	~SPICS, SPISO, SPISI, SPIClk, GND	
Motor	Motor A, Motor B, Motor C	
Miscellaneous	~Enable	FaultOut

If Atlas is used as part of a higher level position controller, as shown in the [Figure 3-8](#), the Brushless DC motor provides feedback signals to the external controller. Commonly, both Hall sensor signals and a position encoder are used, but only one or the other is needed in a minimal configuration. In this configuration the external controller generally consists of a PMD Magellan Motion Processor or a programmable microprocessor or DSP-type device.

Alternatively, Atlas can be operated by an external controller as a standalone device, driving the motor at commanded voltage or torque levels and not part of a higher-level servo controller. In this configuration, the external controller can be either a microprocessor-type device, or a logic device such as an FPGA (field programmable gate array).

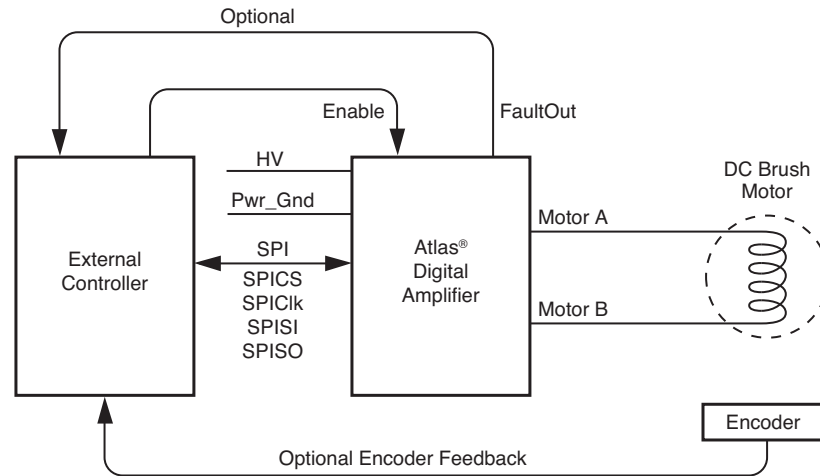
Atlas functions as a power block providing amplification, current control, and safety management of the amplifier and motor. Atlas does not directly accept Hall signals or encoder signals, so to operate with a brushless DC motor the motor's current phase angle must be provided by the external controller through the SPI interface.

The Atlas does not support direct Hall signal inputs. To operate the Atlas with a Brushless DC motor, continuous motor phase angle is provided by the external controller, via either Hall inputs or an encoder.



3.9.2 DC Brush Motors

**Figure 3-9:
DC Brush
Connections**



The following table summarizes the recommended connections when connecting Atlas amplifiers to DC Brush motors.

Type	Required Connections	Optional Connections
Power	HV, Pwr_Gnd	
Communication	~SPICS, SPISO, SPISl, SPIClk, GND	
Motor	Motor A, Motor B	
Miscellaneous	~Enable	FaultOut

If Atlas is used as part of a higher level servo controller, as shown in [Figure 3-9](#), an encoder provides position or velocity feedback signals to the external controller. In this configuration the external controller generally consists of a PMD Magellan Motion Processor or a programmable microprocessor or DSP-type device.

Alternatively, Atlas can be operated by an external controller as a standalone device, driving the motor at commanded voltage or torque levels. In this configuration the external controller can be either a microprocessor-type device, or a logic device such as an FPGA (field programmable gate array).

3.9.3 Step Motors in Pulse & Direction Signal Mode

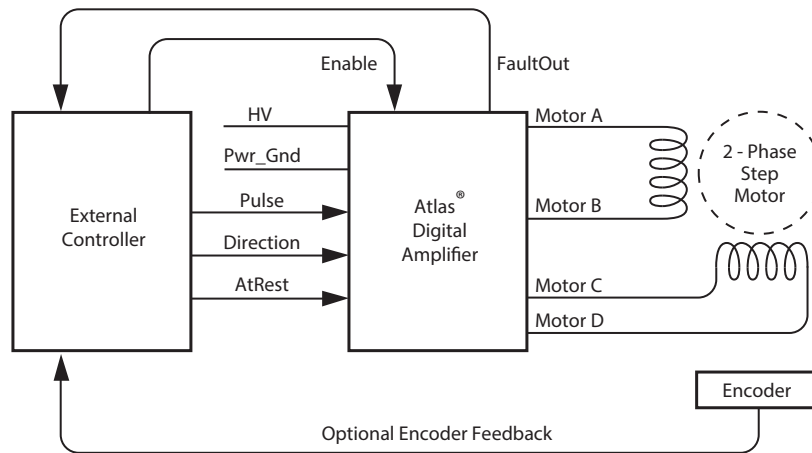


Figure 3-10:
Step Motor
Pulse and
Direction Mode
Connections

The following table summarizes the recommended connections when connecting Atlas amplifiers to two-phase step motors when using the pulse & direction signal mode. In this mode the external controller provides position commands to Atlas via pulse and direction signals.

Type	Required Connections	Optional Connections
Power	HV, Pwr_Gnd	
Communication	Pulse, Direction, GND	AtRest
Motor, Phase A ⁺ :	Motor A	
Motor, Phase A ⁻ :	Motor B	
Motor, Phase B ⁺ :	Motor C	
Motor, Phase B ⁻ :	Motor D	
Miscellaneous	~Enable	FaultOut

These connections apply to bipolar motors. If connecting to unipolar motors do not connect the center tap.

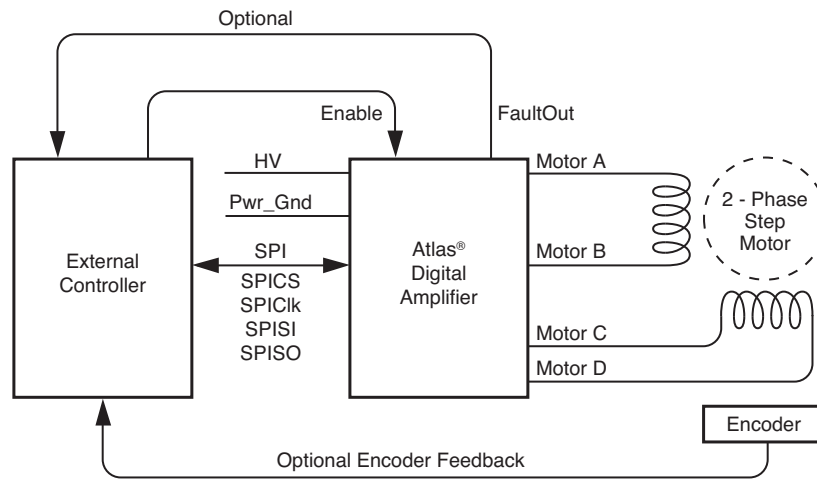
In this configuration the external controller generally consists of an off-the-shelf motion control card or module, a programmable microprocessor or DSP-type device, or a FPGA (field programmable gate array). The external controller provides a continuous stream of pulse and direction commands, along with (optionally) an *AtRest* signal to control the torque.

To initially set up and store its application-specific configuration parameters, Atlas is programmed using the SPI interface and then commanded to convert to pulse & direction signal mode.

FaultOut signal input to external controller is strongly recommended when the Atlas is used in Pulse & Direction signal mode.

3.9.4 Step Motors Using SPI Communications

Figure 3-11:
Step Motor
SPI Communi-
cation Connec-
tions



The following table summarizes the recommended connections when connecting Atlas amplifiers to two-phase step motors when using the SPI communications channel. In this mode the external controller provides position commands to Atlas via the SPI interface.

Type	Required Signal Connections	Optional Signal Connections
Power	HV, Pwr_Gnd	
Communication	~SPICS, SPISO, SPISI, SPICIk, GND	
Motor, Phase A ⁺ :	Motor A	
Motor, Phase A ⁻ :	Motor B	
Motor, Phase B ⁺ :	Motor C	
Motor, Phase B ⁻ :	Motor D	
Miscellaneous	~Enable	FaultOut

These connections apply to bipolar motors. If connecting to unipolar motors do not connect the center tap.

In this configuration the external controller generally consists of a PMD Magellan Motion Processor, a programmable microprocessor or DSP-type device, or a FPGA (field programmable gate array). The external controller provides a continuous stream of position commands or individual phase torque output commands to control the motor position.

3.10 Heat Sink Grounding

The heat sink may be left ungrounded or may be connected to chassis ground for best EMI protection. The heat sink should not be connected to the Atlas Pwr_Gnd.

3.11 Atlas Conversion Factors

The following table provides electrical conversion factors for the various Atlas units. These factors convert Atlas command values specified via the Atlas unit's digital SPI interface (referred to as counts) to physical quantities such as amperage or volts, and vice versa. For more information on the Atlas functions related to these conversion factors see [Chapter 4, Operation](#).

Unit	All Low Power Atlas	All Medium Power Atlas	All High Power Atlas	Example Usage
Amps	.231 mA/count	.763 mA/count	1.526 mA/count	To command a torque of 3.5A to the high power Atlas a value of $3,500\text{mA}/1.526\text{mA/count} = 2,294$ counts is specified.
Volts	1.361 mV/count	1.361 mV/count	1.361 mV/count	A command request to read the Atlas unit's DC Bus voltage gives a value of 12,345. This corresponds to a voltage of $12,345 \text{ counts} * 1.361 \text{ mV/count} = 16.8$ volts.
Temperature	.0039°C/count	.0039°C/count	.0039°C/count	A command request to read the Atlas unit's internal temperature gives a value of 7,890. This corresponds to a temperature of $7,890 \text{ counts} * .0039^\circ\text{C/count} = 30.8^\circ\text{C}$.
Foldback Energy	.0059 A ² sec/count	.064 A ² sec/count	.256 A ² sec/count	To command a foldback energy of 50A ² sec to the high power Atlas a value of $50\text{A}^2\text{sec}/.256 \text{ A}^2\text{sec/count} = 195$ counts is specified.

3.11.1 Atlas Settings Defaults and Limits

The following table provides default and limit values for all Atlas units.

Quantity	All Low Power Atlas	All Medium Power Atlas	All High Power Atlas
Overtemperature			
Overtemperature Limit	Default: 75.0°C Low Limit: 0 High Limit: 75.0°C	Default: 75.0°C Low Limit: 0 High Limit: 75.0°C	Default: 75.0°C Low Limit: 0 High Limit: 75.0°C
Overtemperature Hysteresis	Default: 5.0°C Low Limit: 0 High Limit: 25.0°C	Default: 5.0°C Low Limit: 0 High Limit: 25.0°C	Default: 5.0°C Low Limit: 0 High Limit: 25.0°C
Voltage			
Overvoltage Limit	Default: 52.0 V Low Limit: 10.0 V High Limit: 52.0 V	Default: 52.0 V Low Limit: 10.0 V High Limit: 52.0 V	Default: 60.0 V Low Limit: 10.0 V High Limit: 60.0 V
Undervoltage Limit	Default: 10.0 V Low Limit: 10.0 V High Limit: 48.0 V	Default: 10.0 V Low Limit: 10.0 V High Limit: 48.0 V	Default: 10.0 V Low Limit: 10.0 V High Limit: 56.0 V

Quantity	All Low Power Atlas	All Medium Power Atlas	All High Power Atlas
Current Foldback			
Continuous Current Limit, Brushless DC Motor	Default: 2.12 A	Default: 7.07 A	Default: 14.1 A
	Low Limit: 0.0 A	Low Limit: 0.0 A	Low Limit: 0.0 A
	High Limit: 2.12 A	High Limit: 7.07 A	High Limit: 14.1 A
Continuous Current Limit, DC Brush Motor	Default: 1.50 A	Default: 7.00 A	Default: 14.0 A
	Low Limit: 0.0 A	Low Limit: 0.0 A	Low Limit: 0.0 A
	High Limit: 1.50 A	High Limit: 7.00 A	High Limit: 14.0 A
Continuous Current Limit, Step Motor	Default: 2.12 A	Default: 6.36 A	Default: 12.7 A
	Low Limit: 0.0 A	Low Limit: 0.0 A	Low Limit: 0.0 A
	High Limit: 2.12 A	High Limit: 6.36 A	High Limit: 12.7 A
Energy Limit, Brushless DC Motor	Default: 2.95 A ² sec	Default: 31.9 A ² sec	Default: 127.5 A ² sec
	Low Limit: 0.0 A ² sec	Low Limit: 0.0 A ² sec	Low Limit: 0.0 A ² sec
	High Limit: 2.95 A ² sec	High Limit: 31.9 A ² sec	High Limit: 127.5 A ² sec
Energy Limit, DC Brush Motor	Default: 3.63 A ² sec	Default: 32.2 A ² sec	Default: 128.7 A ² sec
	Low Limit: 0.0 A ² sec	Low Limit: 0.0 A ² sec	Low Limit: 0.0 A ² sec
	High Limit: 3.63 A ² sec	High Limit: 32.2 A ² sec	High Limit: 128.7 A ² sec
Energy Limit, Step Motor	Default: 2.95 A ² sec	Default: 34.7 A ² sec	Default: 138.9 A ² sec
	Low Limit: 0.0 A ² sec	Low Limit: 0.0 A ² sec	Low Limit: 0.0 A ² sec
	High Limit: 2.95 A ² sec	High Limit: 34.7 A ² sec	High Limit: 138.9 A ² sec

For more information on Atlas overtemperature safety functions see [Section 4.8.2, "Overtemperature Fault."](#)

For more information on Atlas overvoltage and undervoltage safety functions see [Section 4.8.4, "Undervoltage Fault."](#)

For more information on Atlas Current Foldback safety functions see [Section 4.8.9, "Current Foldback."](#)

4. Operation

In This Chapter

- ▶ Functional Overview
- ▶ Internal Block Diagram
- ▶ Notes on Command Mnemonics
- ▶ Commutation
- ▶ Current Loop
- ▶ Power Stage
- ▶ Status Registers
- ▶ Safety Processing Functions
- ▶ Step Motor Control
- ▶ User Memory Space & Buffers
- ▶ Trace Capture
- ▶ Power-up
- ▶ Non-Volatile (NVRAM) Storage
- ▶ Writing and Reading NVRAM Data
- ▶ SPI Communications Overview

4.1 Functional Overview

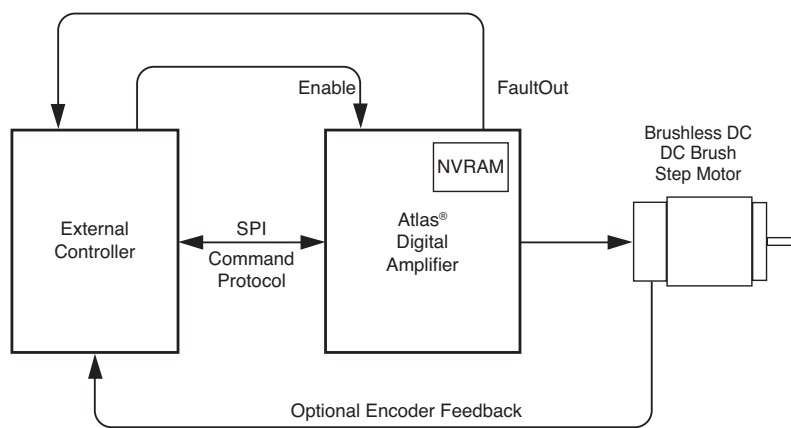


Figure 4-1:
High Level
System
Diagram

Atlas Digital Amplifiers are single-axis devices for torque or voltage-mode control of three-phase brushless DC motors, DC Brush motors, or two-phase step motors. They accept a stream of desired torque or voltage values from an external controller and perform all current loop processing and switching bridge control to continuously drive the motor coils to the specified, commanded values.

In addition to providing a stream of torque or voltage commands, the external controller is used to set up operational parameters needed by Atlas such as control gains, safety-related parameters, and other information. These parameters may be provided to Atlas at each power up, or stored non-volatily on Atlas so that they no longer need to be loaded at each power-up. See [Section 4.12, “Power-up”](#) for more information on non-volatile parameter storage.

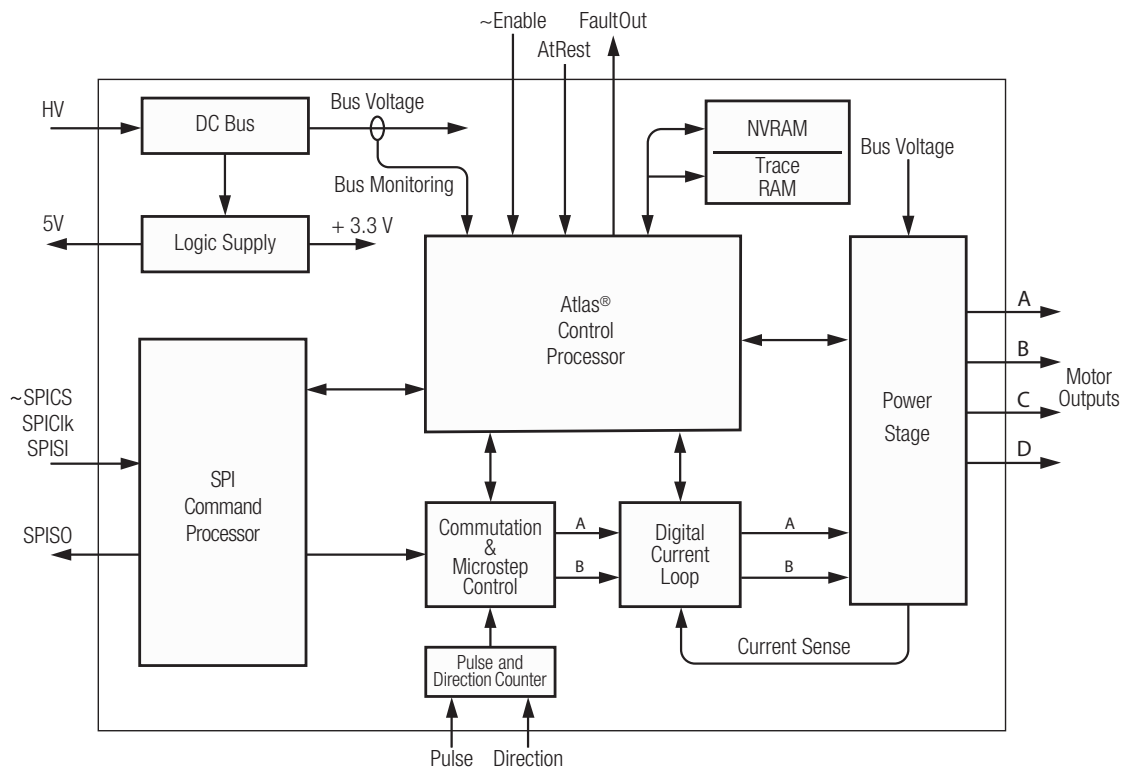
Communication to/from Atlas occurs via an SPI interface and associated protocol that uses packet-oriented commands to specify various Atlas parameters, and, if desired, request status information from Atlas. This protocol has been designed for maximum speed and flexibility so that torque or voltage commands can be continuously sent to Atlas even while the external controller queries Atlas for various information. See [Chapter 5, “SPI Communications”](#) for more information on the SPI interface.

When Atlas is used in a higher level system such as a servo-based velocity or position controller, torque commands are typically sent to Atlas continuously, at the motion controller’s servo rate. For most systems this rate is in the 1,000 to 10,000 samples per second range. However Atlas may also be used with direct voltage or torque control applications that utilize Atlas to specify a desired output value just once after power-up, or only occasionally as required by the application.

To disable Atlas operations it may be powered down, the *Enable* signal may be de-asserted, or various commands that result in Atlas operations being suspended may be sent by the external controller to Atlas through the SPI interface. In addition, there are several conditions where Atlas automatically shuts down for safety-related reasons. These may include short circuit detection, under and over voltage protection, I^2t current limiting, and amplifier over temperature detection. See [Section 4.8, “Safety Processing Functions”](#) for more information on emergency stop and related functions.

4.2 Internal Block Diagram

Figure 4-2:
Internal Block
Diagram



[Figure 4-2](#) shows the internal block diagram of Atlas. Here are summary descriptions of the major modules and functional areas:

Commutation—this module utilizes internally generated information, or information provided by the external controller, to split up the desired overall torque command into individual phase commands to drive Brushless DC and step motors.

Current Loop—this module inputs the desired current for each motor coil and uses the measured current feedback from each motor coil to develop PWM (pulse width modulation) output command values for the power stage. The current loop module may be disabled, in which case Atlas will drive the motor in voltage mode. See [Section 4.5, “Current Loop”](#) for more information on the current loop module.

Power Stage—this module receives desired voltages for each motor coil and manages the Atlas unit’s high performance MOSFET-based switching bridge to precisely drive the coils of the motor. See [Section 4.6, “Power Stage”](#) for a detailed description of this module.

Status Registers—this module holds various status registers including an Event Status Register, a Drive Status register, a Drive Fault Status Register, a signal status, and an SPI Status Register.

Safety Processing—this module manages Atlas unit safety-related functions including the internal temperature sensor, bus voltage error, the *Enable* input signal, current foldback, the *FaultOut* output signal, event action processing, and more.

Step Motor Processing—this module implements step motor-specific features including microstep signal generation, holding current management, and *Pulse*, *Direction*, and *AtRest* signal processing.

Memory Buffers—this module provides user-accessible memory for trace and setup parameter configuration storage.

Trace—this module provides a facility for continuously storing up to four simultaneous Atlas variables in the memory buffers.

Power-up & Non-Volatile Initialization Storage—this module manages the power-up sequence and provides the ability to store selected parameter into the Atlas unit’s non-volatile memory.

SPI Command Processor—This module, described in the next chapter, manages all communications to/from the external controller.

4.3 Notes on Command Mnemonics

For simplicity, throughout this and subsequent chapters, we will use a mnemonic-style nomenclature to indicate external controller commands sent to Atlas. Such commands are sent over an SPI (serial peripheral interface) connection, using a packet-based protocol designed to control all aspects of Atlas unit’s operation. Atlas supports over 65 commands through this powerful and flexible protocol.

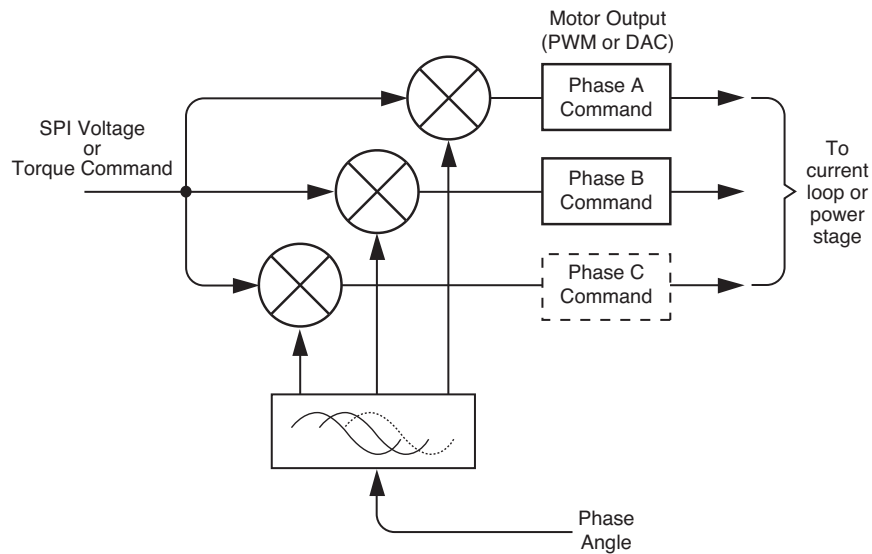
For example, to set the proportional current gain, the command: **SetCurrentLoop** is used.

The actual data packet sent to Atlas to effect the **SetCurrentLoop** command is a specific sequence of signal states on the SPI data lines, not the mnemonic itself. However to more easily illustrate command sequences, the mnemonic format will be used throughout this manual.

See [Chapter 5, “SPI Communications”](#) for complete command details, along with other aspects of the SPI protocol.

4.4 Commutation

**Figure 4-3:
Commutation
Control
Sequence**



Brushless DC motors have three phases (generally referred to as A, B, and C) separated from each other by 120 electrical degrees. The process of splitting up the overall torque command into constituent phase commands is called commutation. [Figure 4-3](#) provides an overview of the control sequence when a brushless DC motor is controlled by Atlas.

The first step is that the external controller specifies the desired motor voltage or torque command to the Atlas. This command is then commutated into constituent phase-specific values. This process applies to step motors as well as Brushless DC motors, however for step motors the process is called microstepping. See [Section 4.9, “Step Motor Control”](#) for a detailed discussion of step motor control with Atlas amplifiers. DC Brush motors are single phase devices, and do not require commutation.

Once commutated, the individual commands for the A, B, and C phases are output either directly to the power stage or to the current loop module (depending on whether current control has been requested). If output to the current loop module, additional calculations are performed using the measured current through each winding to determine a final phase command. See [Section 4.5, “Current Loop”](#) for details.

4.4.1 Determining Phase Angle

Atlas does not directly accept commutation inputs such as Hall sensors, so phase angle information must be provided by the external controller via the SPI interface.

Phase angle in this context means the position of the motor within its overall electrical cycle. Whether or not the electrical phase angle corresponds directly to the mechanical motor angle depends on how many poles the motor has. The most common brushless DC motor configuration has four poles (two pole pairs), meaning it traverses two full electrical cycles for each rotation of the motor. In this example therefore, the mechanical angle would be half of the electrical angle.

The phase angle that is provided to Atlas by the external controller is encoded as a 12 bit word, consisting of the instantaneous electrical angle of the rotor. A minimum angle of 0 corresponding to an electrical phase angle of 0.0°, and a maximum value of 4,095 corresponding to a value of 359.9°. Phase angles expressed to Atlas are always positive and have a maximum value of 360.0°. This means a motor that moves in the negative direction from a position angle

of 0.0 will 'wrap' around to a value of 360.0°. Conversely, a position angle that moves past 360.0° wraps to a value of 0.0°.

To actually send the phase angle to Atlas it is combined with the motor voltage or torque command into a single SPI command packet. Since the phase angle and torque must be provided at each command update cycle, this provides an efficient approach for continuously transmitting Brushless DC motion command packets. See [Chapter 5.3, "Sending a Voltage or Torque Output Value"](#) for complete word format and protocol information.

4.4.2 Phasing with Hall Sensors

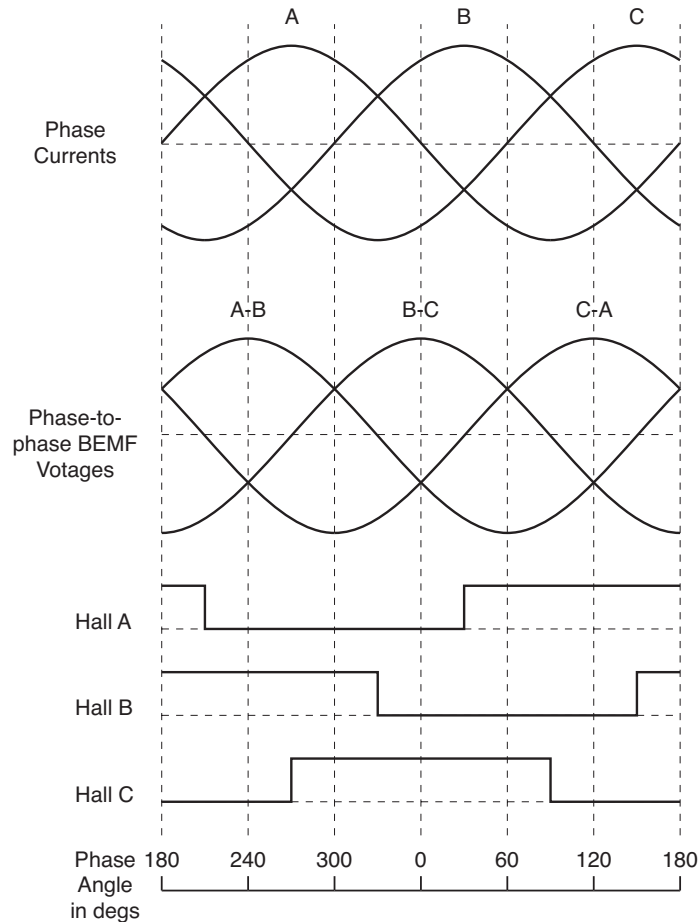
As the previous section indicates, to control a Brushless DC motor the external controller continuously provides phase information to Atlas. Typically, the external controller utilizes either Hall sensors or position encoders to determine this information.

If the external controller directly inputs Halls converting the three incoming hall signal states to a commanded phase angle is straightforward. The table shows how to convert an instantaneous hall sensor reading for the most common Hall encoding scheme to an output command phase angle sent to Atlas over the SPI interface.

Hall A	Hall B	Hall C	Phase angle to send to Atlas in degrees	12-bit phase angle word
0	0	1	0°	0
1	0	1	60°	683
1	0	0	120°	1,365
1	1	0	180°	2,048
0	1	0	240°	2,731
0	1	1	300°	3,413

4.4.3 Phasing with an Encoder

Figure 4-4:
Phasing
Reference
Signals



[Figure 4-4](#) shows the relationship between a range of reference signals such as Hall signals, and common manufacturer-provided motor control waveforms. Note that these waveforms apply when the motor torque command is positive. If negative, the sign of the “Phase Currents” and “Phase to phase BEMF Voltages” is inverted.

If the external controller uses an encoder to update the phase angle, the phase angle can be sent to Atlas with significantly finer resolution than with Hall sensors (which resolve only to within 60 electrical degrees). Greater commutation resolution allows the motion to be smoother and more efficient. However there are a few important considerations when using an encoder for commutation compared to Hall sensors.

The first is that care should be taken to correctly update the phase angle at the encoder wraparound point. This is the point at which the largest encoder value transitions to the smallest, or vice versa (depending on the motor direction). At these points, the phase angle must still be smoothly and correctly updated as if an encoder wrap had not occurred.

The second is that if an incremental encoder is used and there is the possibility of losing counts, it is important that this be corrected by the external controller. The most common approach toward accomplishing this is to utilize the encoder’s Index pulse signal to record a fixed phase angle for the motor, and thereafter compare the incremental encoder reading at each occurrence of the Index pulse. Please refer to the *Magellan Motion Processor User Manual* for more information on this technique.

The third is known as phase initialization. In the case of incremental encoders, at power-up there is no explicit correlation between the encoder position and the rotor angle, therefore the phasing must be initialized. By contrast,

for absolute encoders or certain measuring devices such as resolvers, the phasing may be explicitly known from the encoder angle. Consult the manufacturer's data sheet for more information.

4.4.4 Phase Initialization for Incremental Encoders

If an incremental encoder is used to provide continuous phase angle information to Atlas, some method is needed to correlate measured motor angles with phase angle. There are a few commonly used approaches to accomplish this.

The first and simplest is to use Hall sensors. Upon initialization, the table in [Section 4.4.2, “Phasing with Hall Sensors”](#) is used to set up the phase angle. As the motor rotates thereafter, the encoder updates the phase angle. For highest accuracy, the phase angle at the transition of one Hall state to another is used. In this manner the initial accuracy, equal to one Hall state width of 60° can be improved to just a few electrical degrees, depending on how accurately the Hall sensors were originally aligned by the motor manufacturer.

If Hall sensors are not available, a technique called algorithmic initialization can be used. In this approach, the brushless DC motor coils are energized in a specific sequence and the resultant motor reactions are used to determine the initial phase angle. Particularly for free-wheeling motors such as spindles, centrifuges, fans, and similar devices, this approach can work well. However a detailed discussion of this is beyond the scope of this manual, so consult your PMD representative for more information.

4.5 Current Loop

The next section describes a number of concepts that apply even when the current loop is not enabled. All Atlas users should therefore read this section, whether they plan to operate the Atlas with a current loop, or without a current loop in voltage mode.

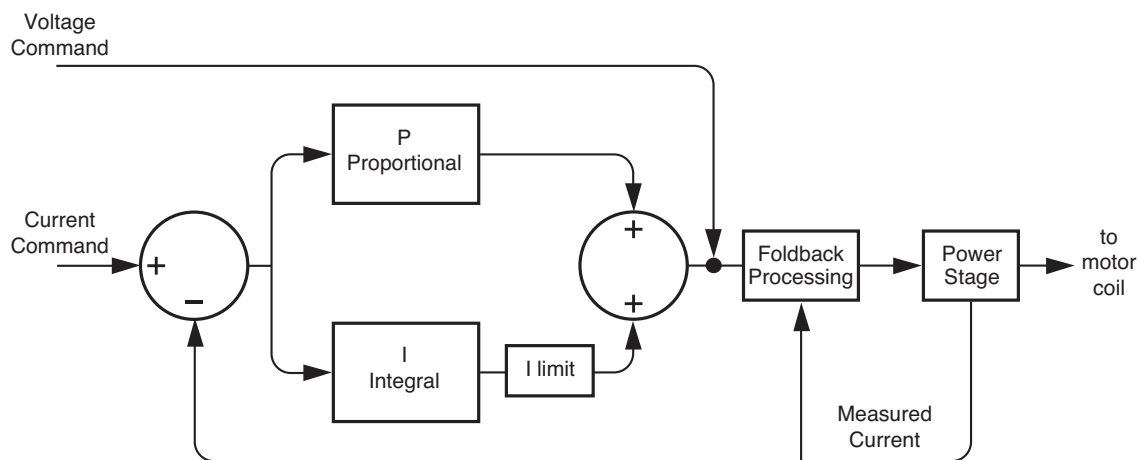


Figure 4-5:
Current Loop
Control Flow

Digital current control is a technique used with DC brush, brushless DC, and step motors for precisely controlling the current through each winding of the motor. By controlling the current, response times are improved and motor efficiency is increased.

[Figure 4-5](#) provides an overview of Atlas unit's current controller. For single-phase motors such as DC brush, one current loop per axis is used. For brushless DC motors, two current loops are used and the third phase command is

derived from the other two phases. When driving step motors, two current loops are used, one for the phase A coil, and one for the phase B coil.

There are three overall methods of current control provided by Atlas, however not all methods are used with all motor types. The first method is individual phase control. See [Section 4.5.2, “Individual Phase Control”](#) for a description. See [Section 4.5.3, “Field Oriented Control”](#) for a description of the second method, FOC (Field Oriented Control). See [Section 4.5.4, “Third Leg Floating Control”](#) for a description of the third approach, called ‘third leg floating.’ The table below summarizes which current control modes are available with the three motor types supported by Atlas, along with the default configuration for that motor type.

Current Control Method	Brushless DC	DC Brush	Step Motor
Individual Phase Control	✓	✓ (default)	✓
Field Oriented Control	✓ (default)		✓ (default)
Third Leg Floating	✓		

The large majority of applications will use FOC to drive Brushless DC or step motors. FOC usually provides the highest top speeds and more energy efficient operation of the motor compared to individual phase control. Third leg floating is an option that should generally only be considered for Hall-commutated motors. In that configuration, third leg floating can sometimes provide a higher top speed than FOC. Finally, individual phase control is always used with DC Brush motors, and may, under certain specialized conditions, provide improved performance for Brushless DC motors over FOC.

To select which type of control method will be used, use the command **SetCurrentControlMode**. To read the value set using this command, use **GetCurrentControlMode**.

4.5.1 Enabling and Disabling the Current Loop

If during normal operation the current loop is disabled, then the output from the commutation module will pass directly to the power stage module, with no current control being performed. The most common use of this is to run the amplifier in voltage mode, which may be useful under some conditions for calibration or testing.



Even when operated in the voltage mode, the user must still select the current control method. This is because selection of this control method also affects aspects of the power stage, specifically the use of space vector PWM, versus sinusoidal PWM, versus standard single-phase PWM generation.

To disable the motor output module the command **SetOperatingMode** is used. The value set using this command can be read using **GetOperatingMode**.

A previously disabled current loop module may be re-enabled in a number of ways. If output was disabled using the **SetOperatingMode** command, then another **SetOperatingMode** command may be issued. If disabled as part of an automatic safety event-related action (see [Section 4.8.9, “Current Foldback”](#) for more information), then the command **RestoreOperatingMode** is used.



The default condition of the current loop module is disabled, therefore to begin motor operations, the external controller must send a **SetOperatingMode** command enabling the current loop module.

To read the instantaneous actual state of the operating mode, the command **GetActiveOperatingMode** is used.

4.5.2 Individual Phase Control

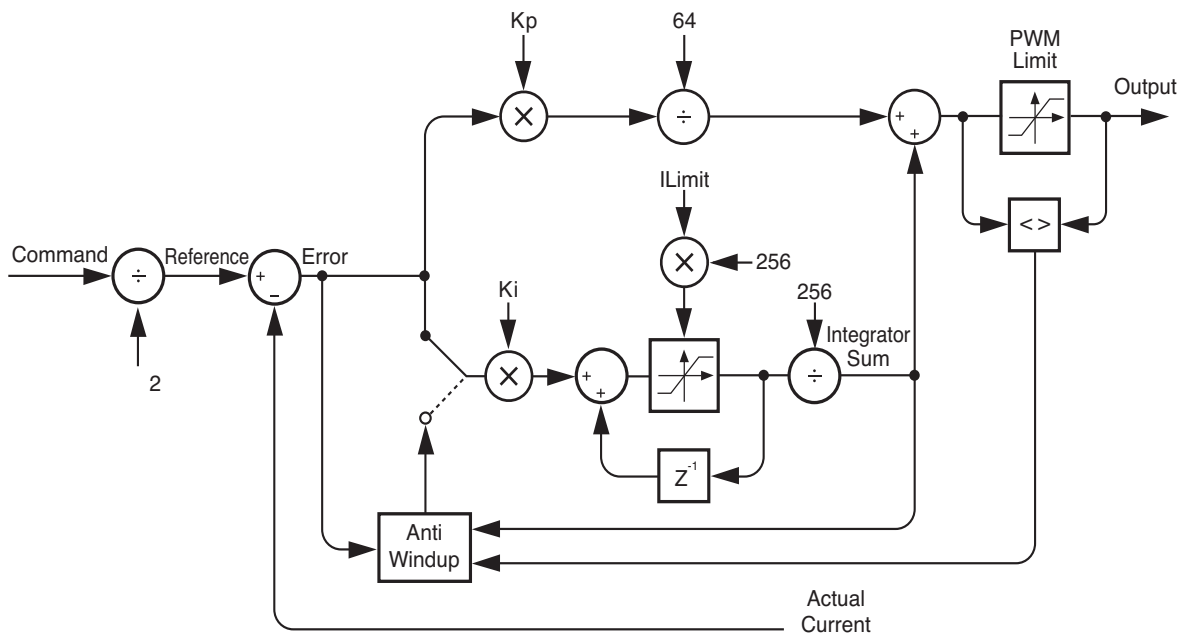


Figure 4-6:
Individual
Phase Control
Calculation
Flow

When individual phase control mode is selected Atlas utilizes the commanded current for each motor winding provided by the commutation module, along with the actual measured current provided by circuitry within the power stage, to perform current loop calculations.

As can be seen in [Figure 4-6](#), the desired current and measured current are subtracted to develop a current error, which is passed through a PI (proportional, integral) filter to generate an output voltage command for each motor coil. The output command for each coil is then passed to the power stage module to generate precise PWM (pulse width modulation) output signals, representing the applied voltage, that control the power stage's switching bridge.

To enable individual phase control the command **SetCurrentControlMode** is used. The value set using this command can be read back using **GetCurrentControlMode**.

Three parameters are set by the user to control the current loop; K_p , K_i , and I_{limit} . Two of these are gain factors for the PI controller, and the other is a limit for the integral contribution.

To set any of these three parameters the command **SetCurrentLoop** is used. To read back these parameters, the command **GetCurrentLoop** is used. For multi-phase motors, the values for the phase A and B loops can be set independently while for single-phase DC brush motors, only the phase A loop parameters are used. The values set using this command are buffered, meaning they are held by Atlas in a buffer but do not instantaneously become active. Buffered commands are activated using the SPI Header. See [Section 5.2, "Packet Header"](#) for details.

It is the responsibility of the user to determine control parameters that are suitable for use in a given application.



4.5.2.1 Reading Current Loop Values

To facilitate tuning there are a number of current loop values that can be read back as well as traced. To read back these values the command **GetCurrentLoopValue** is used. See [Section 4.11.1.3, “Trace Variables”](#) to specify these values for trace during automatic trace capture.

The variables within the current loop that can be read or traced when the control loop mode is set to individual phase control are summarized in the following table. Refer to [Figure 4-6](#) when viewing this table.

Variable Name	Function
Phase A Reference, Phase B Reference	<p><i>Brushless DC & microstepping motor:</i> These registers hold the commanded (reference) currents for the phase A and phase B coils.</p> <p><i>DC Brush motor:</i> Phase A Current holds the commanded (reference) current for the motor.</p>
Phase A Current, Phase B Current, Phase C Current	<p><i>Brushless DC:</i> These registers hold the measured actual currents for the phase A, phase B, and phase C coils.</p> <p><i>Step motor:</i> These registers hold the measured currents for the phase A, and phase B coils.</p> <p><i>DC Brush motor:</i> Phase A Current holds the measured current for the motor.</p>
Phase A Error, Phase B Error	<p><i>Brushless DC & microstepping motor:</i> These registers hold the difference between the current loop reference and the measured current value (Phase A Current, Phase B Current).</p> <p><i>DC Brush motor:</i> The Phase A Error register holds the difference between the current reference and the measured current value (Phase A Current).</p>
Phase A Integrator Sum, Phase B Integrator Sum	<p><i>Brushless DC & microstepping motor:</i> These registers hold the sum of the integrator for the phase A and B current loops.</p> <p><i>DC Brush motor:</i> Phase A Integrator Sum holds the sum of the integrator for the current loop</p>
Phase A Output, Phase B Output	<p><i>Brushless DC & microstepping motor:</i> These registers hold the output command for the phase A and B current loop.</p> <p><i>DC Brush motor:</i> Phase A Output holds the output command for the current loop</p>

4.5.2.2 Individual Phase Control with Step Motors

The Atlas unit's individual phase control mode is designed to work with both 3-phase brushless DC motors and 2-phase step motors. When operating step motors in this mode (see [Section 4.9, “Step Motor Control”](#) for more information on operations with step motors), the basic method is identical. The same three current loop parameters described in [Section 4.5.2, “Individual Phase Control”](#) are set, and the readable parameters are also the same.

4.5.2.3 Individual Phase Control in Voltage Mode

If Atlas is operated in individual phase control mode with the current loop disabled, then after commutation (Brushless DC motors) or microstep signal generation (step motors) the phase-specific commands are output directly to the power stage with no current loop performed.

For example, if the incoming torque command provided by the external controller is 25% full scale, then for an Atlas that is operating with a bus voltage of 24V, the average voltage presented at the motor coil will be 25% of 24V or 6V.

For single phase motors such as DC Brush, the PWM generator directly outputs this external controller-commanded value to the power stage. For multi-phase motors such as brushless DC or step motor, the PWM generator outputs this commanded value after commutation (brushless DC motors) or microstep signal generation (step motors) to the power stage.

See [Section 4.6, “Power Stage”](#) for more information on power stage operations.

4.5.3 Field Oriented Control

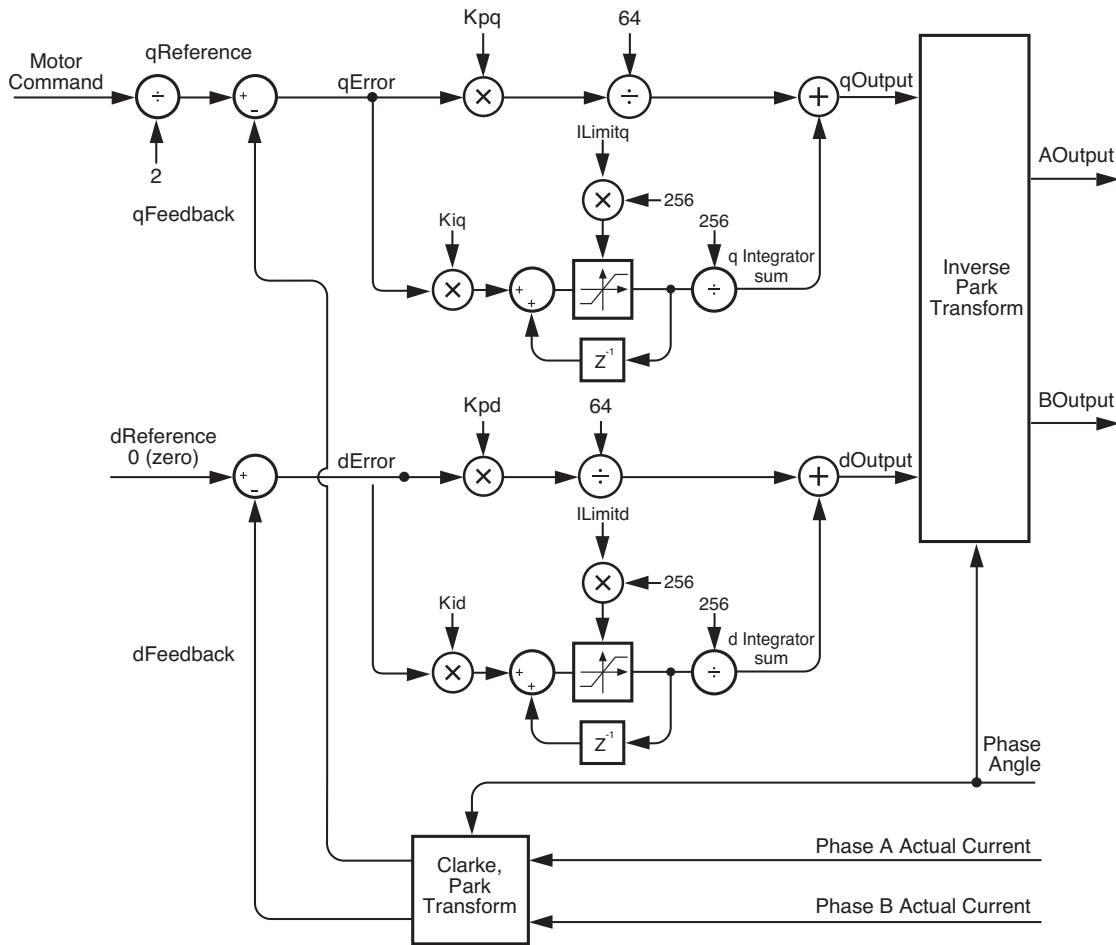


Figure 4-7:
Field Oriented Control Calculation Flow

[Figure 4-7](#) provides an overview of the calculation flow when field oriented control (FOC) is selected. Instead of separating phases as individual phase control mode does, FOC combines them and “re-references” them to what are known as d (direct torque) and q (quadrature torque) reference frames.

To enable field oriented control mode the command **SetCurrentControlMode** is used. The value set using this command can be read back using **GetCurrentControlMode**.

For each control loop (d and q) three parameters are set by the user, K_p , K_i , and I limit. Two of these are gain factors for the PI (proportional, integral) controller that comprises the heart of the FOC controller, and the other is a limit for the integral contribution.



To set these parameters the command **SetFOC** is used. To read back these parameters the command **GetFOC** is used. The values set using this command are buffered and are activated using the SPI header. See [Section 5.2, “Packet Header”](#) for details.

It is the responsibility of the user to determine control parameters that are suitable for use in a given application.

4.5.3.1 Reading FOC Loop Values

To facilitate tuning there are a number of FOC loop values that can be read back as well as traced. To read back these values the command **GetFOCValue** is used. See [Section 4.11, “Trace Capture”](#) to specify these values during automatic trace capture.

Refer to [Figure 4-7](#) for an overview of the FOC loop. The variables within the FOC loop that can be read or traced are summarized as follows:

Variable Name	Function
q Reference, d Reference	Are the commanded values input into the q and d loops. Note that d is always set to 0 (zero).
q Feedback, d Feedback	Are the measured values for the q (quadrature) and d (direct) force after re-referencing from the actual measured current in the phase A, phase B coils.
q Error, d Error	Are the differences, for the q loop and the d loop, between the loop reference and the loop measured value.
q Integrator Sum, d Integrator Sum	Are the integrator sums for the d and q loops.
q Output, d Output	Are the output commands of the q and the d loops.
FOC α Output, FOC β Output	Are the FOC outputs in the α , β reference frame.
Phase A Actual Current, Phase B Actual Current	Are the measured currents for the phase A and phase B coils.

4.5.3.2 FOC with Step Motors

The Atlas unit’s field oriented control algorithm is designed to work with both 3-phase brushless DC motors and 2-phase step motors. When operating step motors in this mode (see [Section 4.9, “Step Motor Control”](#) for more information on operations with step motors), the basic method is identical. The same three FOC parameters described in [Section 4.5.3, “Field Oriented Control”](#) are set, and the readable parameters are also the same.

4.5.3.3 FOC in Voltage Mode

If Atlas is operated in FOC mode with the current loop disabled, then after commutation (Brushless DC motors) or microstep signal generation (step motors) the phase-specific commands are output directly to the power stage with no current loop performed.

However unlike the independent phase control mode, a space vector modulation scheme is used to generate the PWM signals and control the switching bridge. Space vector modulation is recommended for most applications because it provides a larger effective range of voltage drive capacity.

See [Section 4.6, “Power Stage”](#) for more information on power stage operations.

4.5.4 Third Leg Floating Control

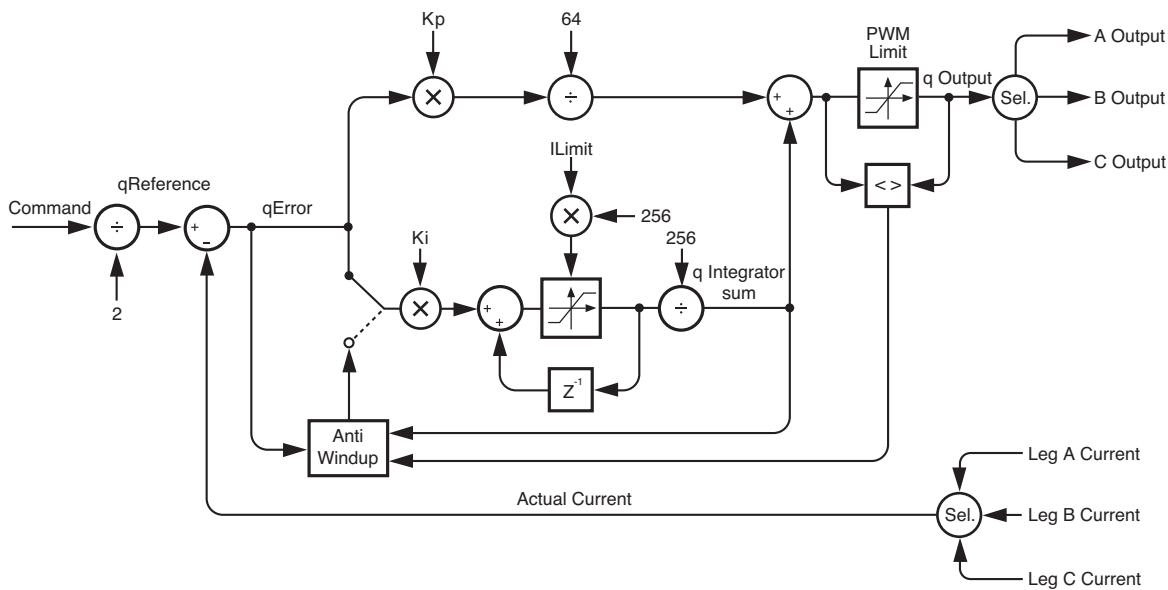


Figure 4-8:
Third Leg
Floating
Control

Figure 4-8 provides an overview of the calculation flow when third leg floating control mode is selected. Compared to individual phase control or FOC, third leg floating uses a different method in that only two of three legs are driven at any instant with the third, non-driven, leg floating. The actual driven and non-driven legs continuously change based on the phase, as does the leg current used as input to the current loop. In this way, as the motor rotates, each motor leg will go through a sequence of being driven for two cycles and then left floating for one.

To enable third leg floating mode the command **SetCurrentControlMode** is used. The value set using this command can be read back using **GetCurrentControlMode**.

Other than the method by which the motor phases are driven and the leg current is sensed, third leg floating is similar to FOC, however with only the q loop calculated. For the q current loop three parameters are set by the user, K_p , K_i , and I_{limit} . Two of these are gain factors for the PI (proportional, integral) controller that comprises the heart of the third leg floating controller, and the other is a limit for the integral contribution. To set any of these parameters the command **SetFOC** is used. To read back these parameters the command **GetFOC** is used. The values set using this command are buffered and may be activated using the update bit of the SPI header. See [Section 5.2, “Packet Header”](#) for more information on command buffering.

It is the responsibility of the user to determine control parameters that are suitable for use in a given application.

The third leg floating control mode is applicable to Brushless DC motors only.



4.5.4.1 Reading Third Leg Floating Loop Values

To facilitate tuning there are a number of third leg floating loop values that can be read back as well as traced. To read back these values the command **GetFOCValue** is used. See [Section 4.11.1.3, “Trace Variables”](#) to specify these values for trace.

Refer to the diagram in [Section 4.5.4, “Third Leg Floating Control”](#) for an overview of the control loop. The variables that can be read or traced are summarized as follows:

Variable Name	Function
q Reference	Is the commanded value input into the q loop.
q Feedback	Is the measured value of the q component of the current
q Error	Is the difference between the measured q component of the current and the commanded q component.
q Integrator sum	Is the integrator sum for the q loop.
q Output	Is the output command of the q loop
q Actual Current	Is the measured current for the q current

4.5.4.2 Third Leg Floating in Voltage Mode

If Atlas is operated in third leg floating mode with the current loop disabled then the external controller-provided torque command is used to specify PWM duty cycle (voltage) to two out of the three motor output terminals, one positive and one negative. The third terminal is put into a high impedance (floating) state. Which terminal is positive, negative, or floating depends on the controller-provided phase angle.

4.6 Power Stage

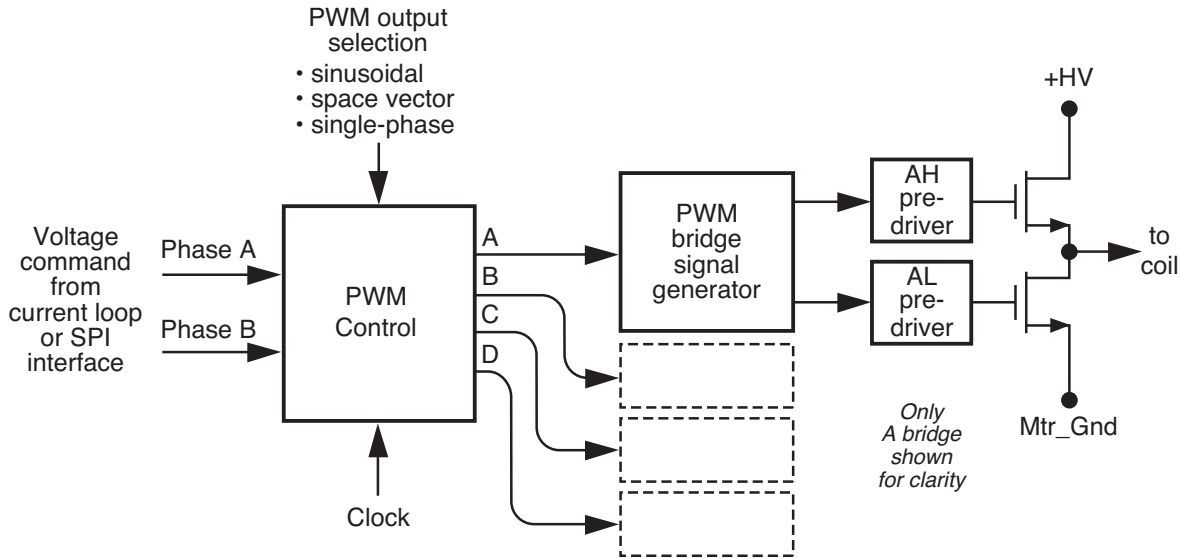
Atlas contains a high performance MOSFET-based power stage that utilizes one or more switching bridges to drive the motor coils. The use of 3-phase and H-bridge topologies provides full 4-quadrant operation for all motor types. In addition, Atlas uses an advanced PWM switching scheme that minimizes the ripple current on the motor windings while maximizing the current loop performance. The fundamental frequency of the ripple current is twice the PWM frequency, and well out of the audible range in all cases.

The PWM frequency is selectable between 20 kHz, 40kHz, 80kHz, and 120kHz to cover a broad range of motor inductances.

In addition to the output bridge function, Atlas provides a current measurement function for use by the current loop module as well as by the safety processing module. Two channels of phase current feedback are provided for brushless DC and step motor current loops. For DC Brush motors feedback for one phase is provided.

To set the Atlas unit’s PWM rate the command **SetPWMFrequency** is used. To read this value, the command **GetPWMFrequency** is used.

Figure 4-9:
Power Stage
Control Flow



In addition to the output bridge function, Atlas provides a current measurement function for use by the current loop module as well as by the safety processing module. Two channels of phase current feedback are provided for brushless DC and step motor current loops. For DC Brush motors feedback for one phase is provided.

Three selectable control methods are provided; independent phase, field oriented control, and third leg floating. The choice of control method affects the power stage in the selection of the PWM generation technique. The table below shows this.

Control Mode	PWM Output Method
Independent Phase	sinusoidal
Field Oriented Control	space vector modulation
Third Leg Floating	standard single-phase

To select the control method use the **SetCurrentControlMode** command. To read the value set using this command use **GetCurrentControlMode**.

4.6.1 PWM Output Limiting

In some applications it may be desirable to limit the maximum allowed output of the power stage PWM generator. For example if the bus voltage is 36 volts, and the desired voltage limit for a particular motor is 18 volts, a PWM limit of 50% is programmed.

Depending on the Atlas unit bus voltage and the effective inductance of the system being controlled, under some circumstances lowering the maximum PWM duty cycle may not fully limit the effective voltage experienced by the device. If this is the case for your system, you may consider increasing the Atlas unit PWM frequency, adding an inductor to the motor circuit, or consulting a PMD representative for more information.



To set the PWM limit value the command **SetDrivePWM** is used. To read this value back the command **GetDrivePWM** is used.



The programmed drive limit value affects the PWM duty cycle only. It does not limit the effective current that is delivered to the motor. To explicitly limit the current, the current foldback mechanism can be used. See [Section 4.8.9, “Current Foldback”](#) for more information.

4.6.2 Disabling the Power Stage

During normal operation the Atlas unit’s primary function is to drive the motor at the torque or voltage requested by the external controller. However there are a number of circumstances where it may be desirable to disable the power stage. In particular, the power stage may be disabled if certain safety-related conditions occur, or for system calibration. See [Section 4.8, “Safety Processing Functions”](#) for more information on Atlas safety processing.

If the power stage module is disabled, all external controller-provided voltage or torque commands are ignored, and all bridge FETs are turned off. This has the effect of “free-wheeling” the motor, which means the motor may stop, coast, or even accelerate (if a constant external force exists such as a gravitational load) depending on the load, inertia, and configuration of the axis mechanics.

To disable the power stage module the command **SetOperatingMode** is used. The value set using this command can be read using **GetOperatingMode**.

The default condition of the power stage is disabled. Therefore to begin drive operations, a **SetOperatingMode** command must be sent to enable the drive stage module.

4.6.3 Enabling the Power Stage

A previously disabled power stage module may be re-enabled in a number of ways. If output was disabled using the **SetOperatingMode** command, then another **SetOperatingMode** command may be issued. If this module was disabled as part of an automatic safety event-related action (see [Section 4.8.9.3, “Current Foldback Event Processing”](#) for more information), then the command **RestoreOperatingMode** is used.

To read the instantaneous actual state of the operating mode the command **GetActiveOperatingMode** is used.

Regardless of how the module is re-enabled, at the time that the re-enable operation is requested, the power stage module will begin normal operations within approximately 1.0 milliseconds. Care should therefore be taken to re-enable the power stage when the motor axis is in a stable condition such that no abrupt motion occurs.



If Atlas is in a condition where the current loop module also needs to be re-enabled, both the power stage and the current loop module should be enabled at the same time. This is normally the case when recovering from all safety processing conditions. See [Section 4.8, “Safety Processing Functions”](#) for more information.



It is the responsibility of the user to manage the operation of the power stage so that appropriate safety conditions are maintained at all times.

4.7 Status Registers

In addition to various numerical registers that may be queried by the external controller, there are five bit-oriented status registers.

These status registers conveniently combine a number of separate bit-oriented fields into a single register. These registers are Event Status, Drive Status, Signal Status, SPI Status, and Drive Fault Status Register. The external controller may directly query these four registers, or the contents of these registers may be utilized by other functional portions of Atlas, such as *FaultOut* signal processing. See [Section 4.8.8, “FaultOut Signal”](#) for more information on *FaultOut* processing.

4.7.1 Event Status Register

The Event Status register is defined in the following table:

Bit	Name	Description
0-6	Reserved	May contain 0 or 1.
7	Instruction error	Set when an instruction error occurs. This may be due to an incorrect command transmission, an Atlas-detected checksum error, or various other SPI interface command-related conditions.
8	Reserved	May contain 0 or 1.
9	Overtemperature fault	Set when an overtemperature fault occurs.
10	Drive exception	Set when a drive exception event such as bus voltage fault, watchdog timer fault, overcurrent fault, or deassertion of the enable pin occurs that causes Atlas to disable output.
11	Reserved	May contain 0 or 1.
12	Current foldback	Set when current foldback occurs.
13-15	Reserved	May contain 0 or 1.

The command **GetEventStatus** returns the contents of the Event Status register.

Bits in the Event Status register are latched. Once set, they remain set until cleared by an external controller instruction or a reset. Event Status register bits may be reset to 0 by the instruction **ResetEventStatus**, using a 16-bit mask. Register bits corresponding to 0s in the mask are reset; all other bits are unaffected.

4.7.2 Drive Status Register

The Drive Status register is different than the Event Status register in that the contents are not latched, but rather continuously set and reset by Atlas to indicate the status of the corresponding conditions.

The specific status bits provided by the Drive Status register are defined in the following table:

Bit	Name	Description
0	Reserved	May contain 0 or 1.
1	In foldback	Set 1 when in foldback, cleared 0 if not in foldback.
2	Overtemperature	Set 1 when currently in an overtemperature condition. Cleared 0 if currently not in an overtemperature condition.
3	Reserved	May contain 0 or 1.
4	In holding	Set 1 when in a holding current condition. Cleared 0 if not in a holding current condition.
5	Overvoltage	Set 1 when currently in an overvoltage condition. Cleared 0 if currently not in an overvoltage condition.

Bit	Name	Description
6	Undervoltage	Set 1 when currently in an undervoltage condition. Cleared 0 if currently not in an undervoltage condition.
7	Disabled	Set 1 when the Atlas unit's <i>Enable</i> pin is inactive. Cleared 0 when the Atlas unit's <i>Enable</i> pin is active.
8-11	Reserved	May contain 0 or 1.
12	Output clipped	Set 1 when current loop output clipping is occurring. This occurs when the PWM limit value becomes the output of the current loop due to the fact that the desired output value of the current loop exceeds the PWM Limit value. Cleared 0 when output clipping is not occurring.
13-14	Reserved	May contain 0 or 1.
15	Drive not initialized	Upon powerup this bit is set to 1. Cleared 0 when Atlas has finished its power-up initialization sequence and is ready for normal SPI command processing.

The command **GetDriveStatus** returns the contents of the Drive Status register.

4.7.3 Signal Status Register

The Signal Status register provides real-time signal levels for some Atlas hardware signals. The Signal Status register is defined in the following table:

Pin	Name	Description
0-12	Reserved	May contain 0 or 1.
13	<i>Enable</i> pin	Set 1 when a high voltage is present at the <i>Enable</i> pin (enabled). Cleared 0 when there is a low signal (disabled).
14	<i>FaultOut</i> pin	Set 1 when a high voltage is being output at the <i>FaultOut</i> pin (fault condition present). Cleared 0 when there a low is being output (fault condition not present).

The command **GetSignalStatus** returns the contents of the Signal Status register.

4.7.4 SPI Status Register

The SPI Status Register is used during SPI communications to provide a quick summary status of the overall Atlas amplifier. See [Chapter 5, “SPI Communications”](#) for more information on SPI communications processing.

There is no way to set or clear the bits in this register. The bits in this register simply echo an amalgam of bits in various other status registers, as noted in the table below. To change the value of these bits it is therefore necessary to utilize the commands that are associated with those particular status registers.

The SPI Status register is defined in the following table:

Bit	Name	Description
0	In foldback	Echoes the in foldback bit of the Drive Status register. Set 1 when in foldback, cleared 0 if not in foldback
1	Overtemperature	Echoes the overtemperature bit of the Drive Status register. Set 1 when currently in an overtemperature condition. Cleared 0 if currently not in an overtemperature condition.
2-3	Reserved	May contain 0 or 1.
4	Overvoltage	Echoes the overvoltage bit of the Drive Status register. Set 1 when currently in an overvoltage condition. Cleared 0 if currently not in an overvoltage condition.
5	Undervoltage	Echoes the undervoltage bit of the Drive Status register. Set 1 when currently in an undervoltage condition. Cleared 0 if currently not in an undervoltage condition.

Bit	Name	Description
6	Disabled	Echoes the Disabled bit of the Drive Status register. Set 1 when the <i>Enable</i> pin is inactive. Cleared 0 when the <i>Enable</i> pin is active.
7	Instruction error	Echoes the Instruction error bit of the Event Status register. Set 1 when an instruction error occurs. This may be due to an incorrect command transmission, an Atlas-detected checksum error, or various other SPI interface command-related conditions.
8	Reserved	May contain 0 or 1
9	Over temperature event	Echoes the overtemperature bit of the Event Status register. Set 1 when an overtemperature fault occurs.
10	Drive exception event	Echoes the drive exception bit of the Event Status register. Set 1 when a drive exception event such as bus voltage fault, watchdog timer fault, over current fault, occurs that causes Atlas to disable output.
11	Output clipped	Echoes the output clipped bit of the Drive Status register. Set 1 when current loop output clipping is occurring. Cleared 0 when output clipping is not occurring.
12	Foldback event	Echoes the foldback bit of the Event Status register. Set 1 when current foldback occurs.
13-15	Reserved	May contain 0 or 1.

The SPI Status Register is not directly read via an Atlas command. It is read as part of SPI header processing. See [Section 5.2.1, “Header Return Words”](#) for more information. In addition, it may be selected as a traceable variable. See [Section 4.11, “Trace Capture”](#) for more information on tracing.

4.8 Safety Processing Functions

Atlas provides a number of amplifier control features that automatically detect and manage safety-related conditions. In addition, Atlas can signal when various conditions, safety or otherwise, occur.

The subsequent sections describe these features.

4.8.1 Overcurrent Fault

Atlas supports automatic detection of excessive current output. This fault occurs when the motor, the wiring leading from Atlas, or Atlas unit's power stage becomes short circuited.

An overcurrent fault will cause the following events to occur:

- The current loop and power stage modules are disabled, thereby halting further motor output.
- The Drive Fault Status register records an overcurrent fault condition.
- The Event Status register records a drive exception condition.

To recover from this condition the user should determine the nature of the fault using the **GetDriveFaultStatus** command. It may be desirable to power down Atlas to check connections or otherwise correct the Atlas-attached hardware so that the problem does not occur again.

If the condition is resolved but Atlas is not power cycled, the following sequence should be used to restore the drive to normal operation:

- Clear the fault condition using the **ClearDriveFaultStatus** command.
- Clear the drive exception bit of the Event Status word using the **ResetEventStatus** command. It is not possible to re-enable the current loop or the power stage module if the drive exception bit is still active.

- Re-enable the current loop and power stage modules using the **RestoreOperatingMode** command.

If the overcurrent condition has been resolved, at the end of this sequence Atlas will resume normal operations. If the overcurrent condition has not been resolved, the overcurrent condition will immediately occur again, and the recovery sequence described above must be undertaken again.



Over current faults are serious conditions and warrant the utmost precaution before re-enabling amplifier operation. It is the responsibility of the user to determine the cause and corrective action of any electrical fault.

4.8.2 Overtemperature Fault

Atlas provides the capability to continually monitor and detect excessive internal temperature conditions. Such a condition may occur if excessive current is requested, if heat sinking of the Atlas unit is inadequate, or if some other problem results in elevated drive temperatures.

To detect this condition a programmable temperature threshold is continuously compared to an internal temperature sensor. If the value read from the internal sensor exceeds the programmed threshold, an overtemperature fault occurs. In addition, a settable overtemperature hysteresis allows the user to ensure that the Atlas temperature drops by a specified number of degrees before allowing drive restart.

To set the programmable temperature threshold or the programmable temperature hysteresis the command **SetDriveFaultParameter** is used. To read back these values the command **GetDriveFaultParameter** is used.

The maximum allowed setting for the temperature threshold is 75.0° C, which is also the default value. The value set using the **SetDriveFaultParameter** command is in units of degrees C/256. For example, a value of 12,800 sets a threshold of 50° C. The maximum allowed value of the hysteresis parameter is 50° C, and the default value is 5° C.

An over temperature fault will cause the following events to occur:

- The current loop and power stage modules are disabled, thereby halting further motor output.
- The Drive Fault Status register records an overtemperature fault condition.
- The Event Status register records a drive exception condition.

To recover from this condition the user should determine the nature of the fault using the **GetDriveFaultStatus** command. It may be desirable to power down Atlas to correct the condition.

If the condition is resolved but Atlas is not power cycled, the following sequence should be used to restore the drive to normal operation:

- Clear the fault condition using the **ClearDriveFaultStatus** command.
- Clear the drive exception bit of the Event Status word using the **ResetEventStatus** command. It is not possible to re-enable the current loop or the power stage module if the drive exception bit is still active.
- Re-enable the current loop and power stage modules using the **RestoreOperatingMode** command.

If the overtemperature condition has been resolved, at the end of this sequence Atlas will resume normal operations. If the overtemperature condition has not been resolved, the condition will immediately occur again, and the sequence described above should be undertaken again.

The instantaneous status of the overtemperature threshold comparison can be read using the command **GetDriveStatus**.

To read the current value of the temperature sensor the command **GetTemperature** is used.

Overtemperature faults indicate that the internal safe limit of the drive temperature range has been exceeded. This potentially serious condition can result from incorrect motor connections, excessive power demands placed on the Atlas amplifier, or inadequate heat sinking. It is the responsibility of the user to operate Atlas within safe limits.



4.8.3 Overvoltage Fault

Atlas provides the capability to continually monitor and detect excessive voltages on the incoming voltage supply. Such a condition may occur if there is a fault in the system power supply, if a large back EMF (electro motive force) is generated during motor deceleration, or if some other problem results in an elevated bus voltage.

To detect this condition a programmable bus voltage threshold is continuously compared to the bus voltage sensor. If the value read from the internal sensor exceeds the programmed threshold, an overvoltage fault occurs.

To read the current value of the bus voltage the command **GetBusVoltage** is used.

To set the programmable overvoltage threshold the command **SetDriveFaultParameter** is used. To read back this value the command **GetDriveFaultParameter** is used.

The maximum allowed setting for the overvoltage threshold is either 52.0 or 60.0 volts depending on the Atlas unit used. The minimum allowed threshold is 10.0 volts. The value set using the **SetDriveFaultParameter** command is in units of 1.361 mV/count. For example, a value of 14,695 sets a threshold of $14,695 * 1.361 \text{ mV/count} = 20.00 \text{ volts}$. See [Section 3.11.1, “Atlas Settings Defaults and Limits”](#) for a complete list of Atlas limits and default temperature settings.

An overvoltage fault will cause the following events to occur:

- The current loop and power stage modules are disabled, thereby halting further motor output.
- The Drive Fault Status register records an overvoltage fault condition.
- The Event Status register records a drive exception condition.

To recover from this condition the user should determine the nature of the fault using the **GetDriveFaultStatus** command. In most cases it is desirable to power down Atlas to correct the condition.

If the condition is resolved but Atlas is not power cycled, the following sequence should be used to restore the drive to normal operation:

- Clear the fault condition using the **ClearDriveFaultStatus** command.
- Clear the drive exception bit of the Event Status word using the **ResetEventStatus** command. It is not possible to re-enable the current loop or the power stage module if the drive exception bit is still active.
- Re-enable the current loop and power stage modules using the **RestoreOperatingMode** command.

If the overvoltage condition has been resolved, at the end of this sequence Atlas will resume normal operations. If the overvoltage condition has not been resolved, the condition will immediately occur again, and the sequence described above should be undertaken again.



The instantaneous status of the overvoltage threshold comparison can be read using the command **GetDriveStatus**.

Overvoltage faults indicate that a serious safety condition has occurred. It is the responsibility of the user to operate Atlas within safe limits.

4.8.4 Undervoltage Fault

Atlas also provides the capability to sense undervoltage conditions. To set the programmable threshold the command **SetDriveFaultParameters** is used. This value is compared to the value read from the drive DC bus, and if the value read is less than the programmed threshold, an undervoltage fault occurs. See [Section 3.11.1, “Atlas Settings Defaults and Limits”](#) for a list of undervoltage-related limits and defaults.

Threshold units, recovery procedure, and all other aspects of this feature are the same as for overvoltage sense except that the bit status location in the Drive Fault Status register is different. Just as for overvoltage conditions, it is the user's responsibility to determine the seriousness of, and appropriate response to, an undervoltage condition.

4.8.5 Watchdog Timeout

Atlas provides a programmable watchdog timer that can detect an unexpected lack of activity from the external controller. Typically, such a condition is due to an SPI communication problem or an external controller malfunction. Particularly when the external controller is used to provide higher level velocity or position control, a watchdog timeout may therefore represent a very serious condition.

To effect the watchdog function Atlas monitors the amount of time between successive valid SPI torque or voltage commands from the external controller. If the amount of time between commands exceeds the programmed watchdog timer, the watchdog fault is triggered.

To set the watchdog timeout value the **SetDriveFaultParameter** command is used. To read the value set using this command, **GetDriveFaultParameters** is used. The watchdog time value is in units of 51.2 uSec. For example a value of 100 indicates a timeout interval of 5,120 uSec or 5.12 mSecs. A value of zero (0) means the watchdog is disabled.

A watchdog timeout fault will cause the following events to occur:

- The current loop and power stage modules are disabled, thereby halting further motor output.
- The Drive Fault Status register records a watchdog timeout fault condition.
- The Event Status register records a drive exception condition.

To recover from this condition the user should determine the nature of the fault using the **GetDriveFaultStatus** command. In most cases it is desirable to power down Atlas to correct the condition.

If the condition is resolved but Atlas is not power cycled, the following sequence should be used to restore the drive to normal operation:

- Clear the fault condition using the **ClearDriveFaultStatus** command.
- Clear the drive exception bit of the Event Status word using the **ResetEventStatus** command. It is not possible to re-enable the current loop or the power stage module if the drive exception bit is still active.
- Re-enable the current loop and power stage modules using the **RestoreOperatingMode** command.

At the end of this sequence Atlas will resume normal operations. This includes operation of the watchdog timer itself. Unless a zero value has been loaded into the watchdog timeout value (thereby disabling the watchdog timeout), Atlas will immediately begin counting SPI command intervals to determine if another timeout has occurred.

Watchdog timeout faults indicate that a serious safety condition has occurred. It is the responsibility of the user to operate Atlas within safe limits.



4.8.6 Drive Enable

Atlas supports an *Enable* input signal that must be active for proper amplifier operation. This signal is useful for allowing external hardware to automatically shut Atlas down. The signal has an active low interpretation.

The status of the *Enable* signal can be read using the command **GetSignalStatus**.

If the Enable signal becomes inactive (goes high) the following events occur:

- The current loop and power stage modules are disabled, thereby halting further motor output.
- The Drive Fault Status register records a Disabled fault condition.
- The Event Status register records a drive exception condition.

To recover from this condition the user should determine the nature of the fault using the **GetDriveFaultStatus** command. It may be desirable to power down Atlas to correct the condition.

If the condition is resolved but Atlas is not power cycled, the following sequence should be used to restore the drive to normal operation:

- Clear the fault condition using the **ClearDriveFaultStatus** command.
- Clear the drive exception bit of the Event Status word using the **ResetEventStatus** command. It is not possible to re-enable the current loop or the power stage module if the drive exception bit is still active.
- Re-enable the current loop and power stage modules using the **RestoreOperatingMode** command.

At the end of this sequence Atlas will resume normal operations. If the *Enable* signal is still inactive while the disable bit of the Event Status register is being cleared, this bit will immediately be set again, and the recovery sequence must be executed again.

4.8.7 Drive Fault Status Register

To simplify recovery from drive-related faults Atlas provides a Drive Fault Status register. This register is read using the command **GetDriveFaultStatus**.

The bits in this register use a latch mechanism, meaning they are set by Atlas, and cleared by the user.

The following table indicates the contents of this register:

Bit	Name	Description
0	Overcurrent	Set 1 to indicate an overcurrent event due to a short circuit, overload in the drive output, or other such condition.
1-2	Reserved	May contain 0 or 1
3	Operating mode mismatch	Set 1 to indicate that Atlas received a torque command when output was not enabled.
4	Watchdog timeout	Set 1 to indicate that the command watchdog has timed out.

Bit	Name	Description
5	Overvoltage	Set 1 to indicate an overvoltage event in the supply bus voltage.
6	Undervoltage	Set 1 to indicate an undervoltage event in the supply bus voltage.
7	Disabled	Set 1 to indicate Enable signal was not asserted
8-11	Reserved	May contain 0 or 1
12	Current foldback	Set 1 to indicate a current foldback event
13-15	Reserved	May contain 0 or 1

To clear the bits in this register the command **ClearDriveFaultStatus** is used.

4.8.8 FaultOut Signal

The Atlas unit's *FaultOut* signal is used to indicate an occurrence of one or more drive faults. This signal is active high, meaning it is high when a fault has occurred, and it is low when a fault has not occurred.

The *FaultOut* signal is programmable, so that the user may determine what fault states result in the *FaultOut* signal becoming active. In particular, any bit condition of the Drive Fault Status register may be used to trigger activation of the *FaultOut* signal. This is done using the command **SetFaultOutMask**. The value set using this command can be read back using **GetFaultOutMask**. See [Section 4.8.7, “Drive Fault Status Register”](#) for more information on the Drive Fault Status register

The bit mask specified using this command is ANDed with the Drive Fault Status register. If the result is non-zero, the *FaultOut* signal is driven active. For example if a watchdog timeout has occurred (bit 4 of the Drive Fault Status register and the mask has been set to a value of 0x10 (hexadecimal notation, equivalent to decimal value of 16) *FaultOut* will be active.

The default value for the fault out mask is 0x71, indicating that *FaultOut* will go active whenever an overcurrent, overvoltage, undervoltage, or watchdog timeout event occurs.

4.8.9 Current Foldback

Current foldback, also known as I^2t foldback, is a general purpose tool to protect the drive output stage or the motor from excessive current.

I^2t current foldback works by integrating, over time, the difference of the square of the actual motor current and the square of a user-settable continuous current limit. When the integrated value reaches a user-settable energy limit, Atlas goes into current foldback. The default response to this event is to cause the current loop and power stage modules to be disabled. However it is also possible to program Atlas to attempt to clamp the maximum current to the continuous current limit value. Note that the Atlas unit's ability to do so depends on a properly functioning current loop.

Atlas will stay in foldback until the integrator returns to zero. This is shown in [Figure 4-10](#).

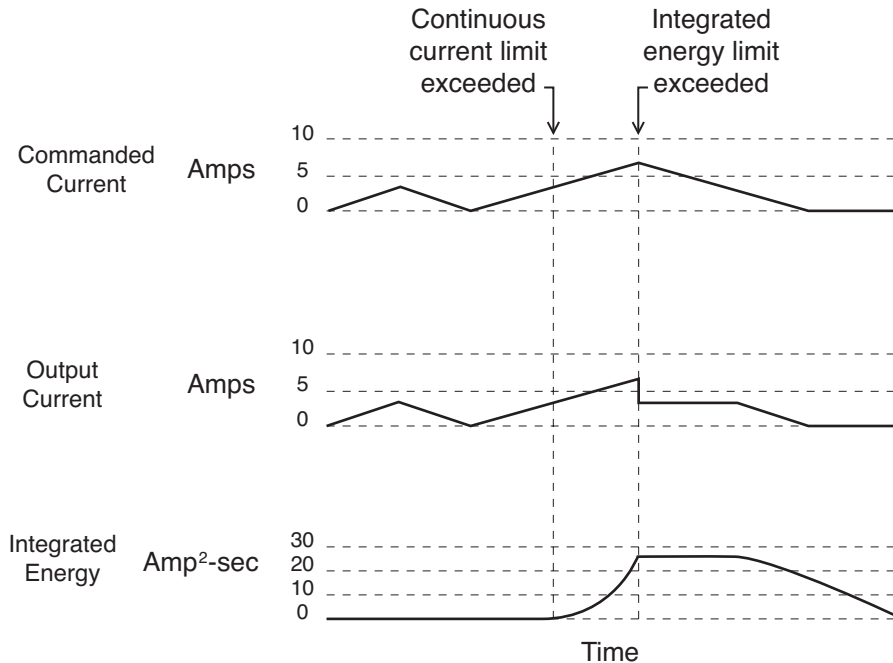


Figure 4-10:
Current
Foldback
Processing
Example

Each Atlas amplifier has particular default and maximum allowed values for both the continuous current limit and energy limit. These values are designed to protect the Atlas from excessive heat generation. Refer to [Section 3.11.1, “Atlas Settings Defaults and Limits”](#) for a complete listing of these defaults and limits.

Setting continuous current limit and energy limit to less than the maximum supported by the Atlas is useful if the current limit is due to the motor, or to some other factor external to Atlas.

To set the continuous current limit and the energy limit the command **SetCurrentFoldback** is used. The values set using this command can be read back using **GetCurrentFoldback**. The provided current value is an unsigned 16-bit integer. Refer to [Section 3.11, “Atlas Conversion Factors”](#) for applicable units and scale factors for the specific Atlas unit you are using.

The instantaneous state of the current foldback mechanism (whether the foldback limit is active or not) is available in the Drive Status register and can be read using the command **GetDriveStatus**. If a foldback event has occurred, this event is recorded in the Event Status register as well as the Drive Fault Status register, and can be read back using **GetEventStatus** and **GetDriveFaultStatus** respectively.

4.8.9.1 Current Foldback in Voltage Mode

Atlas unit’s current foldback mechanism still operates when Atlas is in voltage mode (current loop disabled). When in this mode, the I^2t energy calculations and condition testing are identical as when Atlas is operating in current control mode.

Nevertheless, when in voltage mode, there is an important operational difference. In particular, if the limit is exceeded, rather than clamping the maximum current output to the programmable maximum continuous current limit setting, Atlas disables the power stage module, thereby halting further motor output.

4.8.9.2 Example I^2t Calculations

The following example may help illustrate use of current foldback:

A particular motor has an allowed continuous current rating of 3 amps. In addition, this motor can sustain a temporary current of 5 amps for 2 seconds.

In this example the continuous current limit would be set to 3 amps, and the energy limit would be set to:

$$\text{Energy Limit} = (\text{peak current}^2 - \text{continuous current limit}^2) * \text{time}$$

$$\text{Energy Limit} = (5\text{A}^2 - 3\text{A}^2) * 2 \text{ Sec}$$

$$\text{Energy Limit} = 32\text{A}^2\text{Sec}$$



Current foldback, when it occurs, may indicate a serious condition affecting motion stability, smoothness, and performance. It is the responsibility of the user to determine the appropriate response to a current foldback event.

4.8.9.3 Current Foldback Event Processing

Atlas provides a programmable mechanism related to the current foldback condition. This can be useful for tailoring the response of the Atlas to best suit a specific application.

The Atlas facility that handles this type of programmable response is called an event. Events allow event actions to be executed automatically once a specified condition occurs. In this case, the event condition is satisfied if Atlas is in a current foldback condition, and the following table describes the event actions that can be selected by the external controller:

Action Name	Description
No Action	No event-related action taken, current limited to continuous current limit
Disable power stage and current loop	Disables the power stage and the current loop module

The command **SetEventAction** is used to specify both the condition and the action that should be taken. The external controller must specify that the condition is “current foldback,” and also specify one of the two conditions from the table above. Upon occurrence, the programmed action is executed along with any related actions, such as setting the appropriate bit in the Event Status register.



If a foldback event occurs when Atlas is in voltage mode (current loop not enabled), then the power stage will be disabled regardless of the setting of the event action.

To recover from an event action the command **RestoreOperatingMode** is used. This command will reset Atlas to the operating mode previously specified using **SetOperatingMode** command. Note that if the event condition is still present, the event action will immediately occur again.

Once programmed, an event action will be in place until reprogrammed. The occurrence of the event condition does not reset the programmed event action.

The default action for the current foldback event is to disable the power stage and current loop.

4.9 Step Motor Control

While many aspects of Atlas operation are similar between step motors and Brushless DC or DC Brush motors, Atlas provides a number of special features for supporting step motors. This section describes these special step motor-specific features.

Overall, Atlas provides two step-motor specific position command methods. These are summarized in the table below:

Position Command Mode	Description
Pulse & direction signal input	Atlas directly supports input of hardware <i>Pulse</i> , <i>Direction</i> , and <i>AtRest</i> signals to interface with traditional external controllers that provide these signals. When operated in this mode, SPI communication is not available.
SPI pulse & direction	This pulse & direction interface utilizes the external controller SPI interface to provide continuous position information to Atlas. Compared to pulse & direction signal input, this approach allows full use of the SPI communication interface.

4.9.1 Pulse & Direction Signal Input Mode

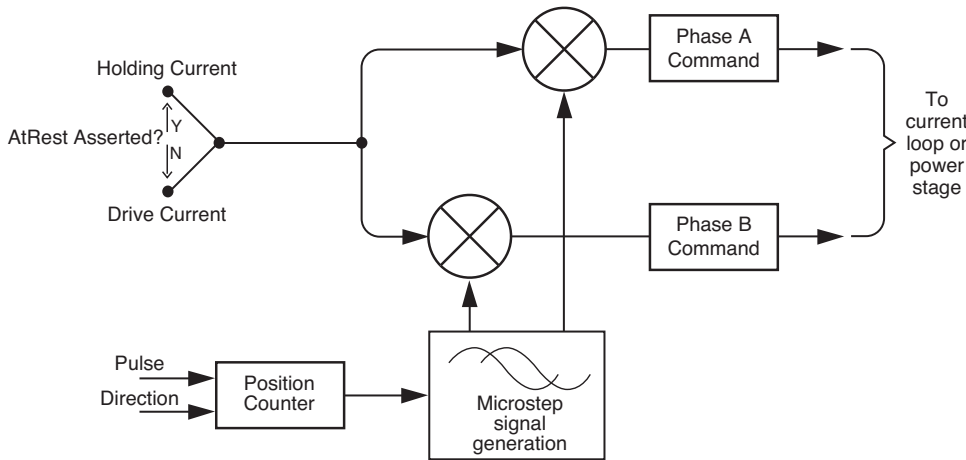


Figure 4-11: Pulse and Direction Signal Input Mode Control Flow

Figure 4-11 shows the control flow of the Atlas when used in pulse & direction signal input mode. The Atlas *Pulse* signal drives a counter which increments or decrements a step motor command position based on the state of the *Direction* signal. Pulse signals are expected to be active low, meaning that a position increment or decrement occurs when this signal transitions from high to low. The *Direction* signal indicates that a pulse received while the *Direction* signal is low is interpreted as a negative direction command, and a pulse received while this signal is high as a positive direction command.

Atlas provides programmable microstepping resolution, which means that the incoming position data stream can be interpreted by the Atlas at various resolutions. The maximum is 256 microsteps per full step, and the default interpretation is 64 microsteps per full step. This means that in the default condition, for a standard 1.8° two-phase stepper, Atlas provides a resolution of 12,800 microsteps per mechanical motor rotation, or roughly .028 degrees of mechanical motion per incoming pulse. Note that the control resolution may not equal the actual system accuracy.

To set the microstep resolution the command **SetPhaseCounts** is used. To read this value back, the command **GetPhaseCounts** is used. Phase counts are expressed as microsteps per electrical cycles and there are four full steps per electrical cycle. So for example, to set 256 microsteps per full step, the command **SetPhaseCounts 1,024** is used.

When actually connected to Atlas in pulse & direction signal mode, SPI communication is not available. Command examples in this section are therefore provided for use during setup, before pulse & direction signal mode is operational.



4.9.1.1 Setting the Motor Current

When operating in pulse & direction input mode the current output by Atlas must be specified. Atlas supports two separate, programmable torques. The first is called the drive current and is used during normal step motor operations. The second is called the holding current and is used when the motor is stationary as indicated by the **AtRest** signal. This signal is typically set when the external controller's trajectory generator completes its move or shortly thereafter. **AtRest** is an active low signal, meaning when no motion is occurring this signal should be set low, and set high when motion is occurring.

To set both the drive current and the holding current the command **SetCurrent** is used. A value between 0 and 32,767 is set. The scaling of this command is determined by the particular Atlas you are using. See [Section 3.11, "Atlas Conversion Factors"](#) for details. To read this value, the command **GetCurrent** is used.

4.9.1.2 Pulse & Direction Signal Mode Operation Setup

Because Atlas shares SPI bus signal pins with the *Pulse*, *Direction*, and *AtRest* pins it is not possible to operate the Atlas in the pulse & direction signal input mode while communicating via the SPI communication bus.

To resolve this, Atlas is first connected in SPI mode, and the SPI interface is used to optimize the motion control application during application development and to download desired drive parameters to Atlas unit's non-volatile initialization storage memory. See [Section 4.12, "Power-up"](#) for more information on non-volatile initialization storage.

Once Atlas has been fully prepared, to switch Atlas to pulse & direction signal input mode the command **SetDriveCommandMode** is used. This command takes effect immediately, so further SPI command processing is disabled, and the external controller should begin sending pulse & direction commands. Note that this command sequence is generally only performed during power-on initialization. See [Section 4.12, "Power-up"](#) for more information.



Once the command mode has been set to pulse and direction signal, Atlas will be in pulse & direction signal mode and the SPI bus will no longer be functional until a subsequent power cycle occurs.

4.9.1.3 Recovering from Pulse & Direction Signal Mode

It is possible to restore an Atlas that is functioning in pulse & direction signal mode to SPI operation. While this is an uncommon operation, it may be useful for testing, diagnosing a field problem, or to allow a production Atlas to be used for prototyping with optimization software such as PMD's Pro-Motion software. Here is how such a recovery is accomplished.

For approximately 250 ms after power on Atlas will monitor its *Pulse* and *Direction* input signals for a special pattern. If detected, this recovery pattern will cause the Atlas to revert to SPI communication mode.

The recovery pattern consists of a rising edge on the *Pulse* signal with the *Direction* signal set low, five pulses (ten edges) on the *Direction* signal, followed by a falling edge on the *Pulse* signal. The time between direction edges is required to be at least 500 us, and the *AtRest/~SPICS* signal should be low throughout the recovery pattern.

Note that in this recovery pattern *Direction* signal edges occur while the *Pulse* input signal is high, contrary to normal pulse and direction input where a step is signaled by a high to low transition of the *Pulse* input, and all *Direction* edges should occur while *Pulse* is low. Note also that when in pulse and direction signal input mode the *SPISO* pin is in a high impedance state. Once the recovery pattern is recognized *SPISO* is driven low.

4.9.1.4 Fault Processing While in Pulse & Direction Signal Input Mode

In order to allow recovery from safety-related faults such as overtemperature or current foldback while operating in pulse & direction signal input mode, an automatic recovery mode is available. While this mode is most often used when in pulse & direction signal input mode, it may in fact be selected even when SPI communications are available.

Automatic event recovery mode is set using the **SetDriveFaultParameter** command, and may be read back using **GetDriveFaultParameter**.

While in automatic recovery mode the **Enable** signal is used to request that the Atlas automatically attempt to reset a fault condition. After the **FaultOut** signal goes active, the external controller must delay a minimum of 150 uSec, but thereafter may request that the Atlas attempt to automatically recover by deasserting, and then asserting, the **Enable** signal. The **Enable** signal must be in the deasserted state for at least 150uSec for the request to be recognized.

When an automatic recovery request is recognized by Atlas it behaves as though the command sequence **ResetEventStatus 0**, **ClearDriveFaultStatus** and **RestoreOperatingMode** has been sent to it by the external controller. As is the case when these commands are sent by the external controller, if the fault condition is still present when recovery is attempted, Atlas will immediately again disable itself, and a recovery procedure must once again be requested. If the fault has been corrected however, a recovery request will result in resumption of normal Atlas operation.

While in automatic recovery mode, the **FaultOutMask** should be set to assert the **FaultOut** signal during a current foldback event. If not, the external controller will be unaware that Atlas is in a foldback condition, and therefore will not know when to request an automatic recovery via the **Enable** signal.



4.9.2 SPI Pulse & Direction Mode

The SPI pulse & direction mode allows emulated pulse & direction information to be transmitted via the SPI bus. While it is possible to use this mode in a production application, this mode is most useful during development, when the values for various Atlas parameters are still being optimized, and full SPI communication is desired.

When placed in this mode an incremental signed move distance is specified via the SPI command protocol at each external controller command. For example, a value of +7 specified by the external controller means the Atlas will move the step motor position forward 7 microsteps, and a command of -3 will cause the Atlas to move the step motor position backwards 3 microsteps.

To accommodate the **AtRest** signal, the SPI protocol incorporates a bit which is utilized by Atlas in the same manner as the **AtRest** signal when in the hardware pulse & direction mode. See [Chapter 5, “SPI Communications”](#) for a complete description of the SPI command format.

As was the case for pulse & direction signal mode, both a drive current and a holding current should be specified when using the SPI pulse & direction mode. To accomplish this the command **SetCurrent** is used. The values set using this commands can be read by the command **GetCurrent**.

To assist with operation in this mode it may be useful to read the current step motor position. This 32 bit quantity can be read using the command **GetCommandedPosition**.

4.9.3 Current Control with Step Motors

Current control when driving step motors occurs using either field-oriented control or independent phase control. See [Section 4.5.3, “Field Oriented Control”](#) for a detailed description of field-oriented control, and see [Section 4.5, “Current Loop”](#) for a detailed summary of the Atlas unit’s current loop.

To select field oriented control or current control the command **SetCurrentControlMode** is used. The value set can be read back using **GetCurrentControlMode**.

4.10 User Memory Space & Buffers

Figure 4-12:
User Memory
Space and
Buffers

Start Address (in Hexadecimal)	Function
0X0000 0000	Trace RAM (1,020 words)
0X0000 03FD	Reserved
0X2000 0000	NVRAM (1,024 words)
0X2000 0400	Reserved

Atlas provides the ability to store or retrieve data from an internal user memory space. [Figure 4-12](#) shows the user memory space for Atlas. There is a trace area, and an area that is used to store non-volatile setup commands that can be read back by the external controller. See [Section 4.11, “Trace Capture”](#) for more information on trace. See [Section 4.12, “Power-up”](#) for more information on Atlas operational configuration storage.

Atlas provides access to the user memory space via a mechanism known as a buffer. Atlas allows up to four different buffers to be defined, allowing the overall user memory space to be partitioned in a manner most useful to the external controller. Typically, there will just be two buffers, one for the trace area, and one for the setup area. However this additional flexibility may be useful for storing temporary application specific data, or to set up multiple trace data storage areas.

Buffers describe a contiguous block of memory and are defined by specifying a base address for the memory block and a block length. Once a buffer’s base address and length have been defined, data values may be written to and read from the buffer.

When defining memory buffers the memory space is treated as a sequence of 16-bit memory locations. Atlas allows any values to be used for the base address and length as long as these values result in addresses within the available user memory space.

4.10.1 Buffer Indexes

In addition to the base address and length each buffer maintains a read index and a write index. The read index may be assigned a value between 0 and L-1 where L is the buffer length. The read index defines the location from which the next value will be read.

Similarly, the write index ranges from 0 to L-1 and defines the location at which the next value will be written. When a value is read from the memory buffer, the read index is automatically incremented, thus selecting the next value for reading. The write index is incremented whenever a value is written to a buffer. If either index reaches the end of the buffer, it is automatically reset to 0 on the next read/write operation.

4.10.2 Buffer Access Commands

The following table details the commands that set up, access, and monitor memory buffers.

Command	Arguments	Description
SetBufferStart	bufferID, address	Sets the base address of a buffer. bufferID is either 0, 1, 2, or 3. Address is a 32-bit integer that defines the base address of the buffer.
GetBufferStart	bufferID	Returns the base address of the specified buffer.

Command	Arguments	Description
SetBufferLength	bufferID, length	Sets the length of the specified buffer. Length is a 32-bit integer. Atlas adds length to the current buffer base address (as set by the SetBufferStart instruction) to ensure that the buffer will not extend beyond the addressable memory limit.
GetBufferLength	bufferID	Returns the length of the specified buffer.
SetBufferReadIndex	bufferID, index	Sets the read index for the specified buffer. Index is a 32-bit integer in the range 0 to length-1, where length is the current buffer length.
GetBufferReadIndex	bufferID	Returns the value of the read index for the specified buffer.
SetBufferWriteIndex	bufferID, index	Sets the write index for the specified buffer. Index is a 32-bit integer in the range 0 to length-1, where length is the current buffer length.
GetBufferWriteIndex	bufferID	Returns the value of the write index for the specified buffer.
ReadBuffer16	bufferID	Returns a 16-bit value from the specified buffer. The location from which the value is read is determined by adding the base address to the read index. After the value has been read, the read index is incremented. If the result is equal to the current buffer length, the read index is set to zero (0).

4.11 Trace Capture

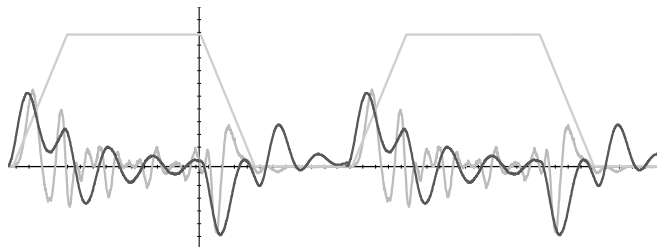


Figure 4-13:
Example
Motion Trace
Capture

Trace capture is a powerful Atlas feature that allows parameters and registers to be continuously captured and stored to the Atlas units' trace RAM user memory space. The captured data may later be downloaded by the external controller using standard memory buffer access commands. Data traces are useful for optimizing current loop performance, diagnosing SPI communications, capturing signal data, or assisting with any type of monitoring where a precise time-based record is required.

Broadly speaking, there are three phases associated with data trace operations. In the first phase, the external controller specifies which parameters will be captured, and how the trace will be executed. In the second phase, Atlas captures the trace data. This can occur autonomously, or under external controller control. Finally, in the third phase the external controller retrieves the data. This can occur after the trace is complete, or concurrently with capture.

4.11.1 Trace Parameters

To start a trace the external controller must specify a number of parameters. They are:

Parameter	Description
Trace buffer	The external controller must initialize and specify the memory buffer that will be used for the trace data storage area. See Section 4.10, "User Memory Space & Buffers" for more information on buffers.
Trace period	Atlas can capture the value of the trace variables for every single time cycle, every other cycle, or at any programmed frequency. This trace period of data collection and storage must be specified.

Parameter	Description
Trace variables	There are dozens of separate variables and registers within Atlas that may be traced; for example, the phase A current command, the current loop error, etc... The user must specify the variables that will be traced by Atlas.
Trace mode	Atlas can trace in one of two modes: one-time, or rolling mode. This determines how the data is stored, and whether the trace will stop automatically or be stopped explicitly by the external controller.
Trigger mode	Atlas supports two different methods for determining the moment when data capture actually occurs. The first is internally, via the Atlas unit's internal clock cycle and the trace period defined above. The second is externally commanded by the external controller via the SPI communication protocol. See Chapter 5, "SPI Communications" for more information on the SPI protocol. Note that when external trigger mode is selected the trace period is not used.
Trace Start/Stop	Atlas allows the external controller to control when trace capture starts and stops. Two overall conditions are supported; starting and stopping immediately via a command or via the trace bit of the SPI communication header.

4.11.1.1 Trace Buffer

Atlas organizes its internal user memory space into data buffers. Each buffer is given a numerical ID. The trace buffer must always be ID 0 (zero). Before trace capture may be used, memory buffer 0 must be programmed with a valid base address and length.

The size of the trace buffer determines the maximum number of data points that can be captured. For the large majority of applications the trace buffer will be set to a size of 1,020 words, which corresponds to the maximum available memory for trace. If the external controller specifies some of this area for other functions however, such as to store a previous trace, the trace buffer must be set to a smaller size.

While trace data is being collected it is not legal to change the trace buffer configuration. If an attempt is made to change the base address, length, write index, or read index associated with buffer 0 while a trace is running the change will be ignored and an error will be flagged.

4.11.1.2 Trace Period

The tracing system supports a configurable period register that defines the frequency at which data is stored to the trace buffer. The tracing frequency is specified in units of 51.2 uSecs.

The command **SetTracePeriod** sets the trace period, and the command **GetTracePeriod** retrieves it. Note that if the trigger mode is set to external, the trace period is not used.

4.11.1.3 Trace Variables

When traces are running one to four Atlas parameters may be stored to the trace buffer for each occurrence of the trigger. The four trace variable registers are used to define which parameters are stored.

The command **SetTraceVariable** selects which traceable parameter will be stored by the trace variable specified. The values passed by this command specify the variable number of the parameter to be traced, and the variable ID. The command **GetTraceVariable** retrieves this same value.

The following table shows all of the Atlas variables that can be traced along with the variable ID code that is used to select this variable for tracing.

Variable ID	Name	Description
Status Registers		
12	Event Status	The Event Status register
14	Signal Status	The Signal Status register
56	Drive Status	The Drive Status register

Variable ID	Name	Description
79	Drive Fault Status	The Drive Fault Status register
80	SPI Status	The SPI Status word
Commutation/Phasing		
7	Active Motor Command	The external controller-commanded voltage or torque command
17	Phase A Command	The output command for phase A
18	Phase B Command	The output command for phase B
19	Phase C Command	The output command for phase C
29	Phase Angle Scaled	The phase angle, scaled from 0 to 360° rather than in encoder counts.
Current Loop		
66	Phase A Reference	The current loop reference for Phase A
67	Phase B Reference	The current loop reference for Phase B
30	Phase A Error	The current loop error for Phase A
35	Phase B Error	The current loop error for Phase B
31	Phase A Actual Current	The current loop actual current for Phase A
36	Phase B Actual Current	The current loop actual current for Phase B
33	Phase A Integrator Contribution	The current loop integrator contribution for Phase A
38	Phase B Integrator Contribution	The current loop integrator contribution for Phase B
34	Phase A Current Loop Output	The current loop output for Phase A
39	Phase B Current Loop Output	The current loop output for Phase B
Field Oriented Control		
40	d Reference	The FOC reference for d (direct) loop
46	q Reference	The FOC reference for q (quadrature) loop
41	d Error	The FOC d (direct) loop error
47	q Error	The FOC q (quadrature) loop error
42	d Feedback	The d (direct) feedback current
48	q Feedback	The q (quadrature) feedback current
44	d Integrator Contribution	The FOC integrator contribution for d (direct)
50	q Integrator Contribution	The FOC integrator contribution for q (quadrature)
45	d Output	The FOC output for d (direct)
51	q Output	The FOC output for q (quadrature)
52	FOC phase A Output	The FOC output for phase A
53	FOC phase B Output	The FOC output for phase B
73	Alpha Current	The FOC α current component (stationary frame)
74	Beta Current	The FOC β current component (stationary frame)
31	Phase A Actual Current	The FOC actual current for phase A
36	Phase B Actual Current	The FOC actual current for phase B
Motor Output		
54	Bus voltage	The bus voltage
55	Temperature	The temperature of Atlas
68	I^2t Energy	Accumulated I^2t foldback energy
75	Terminal A Output	The PWM duty cycle for terminal A
76	Terminal B Output	The PWM duty cycle for terminal B
77	Terminal C Output	The PWM duty cycle for terminal C
69	Leg Current A	The measured current in lower leg A
70	Leg Current B	The measured current in lower leg B
71	Leg Current C	The measured current in lower leg C
72	Leg Current D	The measured current in lower leg D
78	Clip Factor	Actual output as a fraction of commanded output

Variable ID	Name	Description
Miscellaneous		
0	None	No trace variable is selected
8	Atlas Time	Atlas unit's processor time in units of cycles

Setting a trace variable's parameter to zero will disable that variable and all subsequent variables. Therefore, if N parameters are to be saved at each trace period, trace variables 0 to (N-1) must be used to identify the parameters to be saved, and trace variable N must be set to zero.

4.11.1.4 Trace Mode

As trace data is collected it is written to sequential locations in the trace buffer. When the end of the buffer is reached the trace mechanism will behave in one of two ways, depending on the selected trace mode.

If one-time mode is selected then the trace mechanism will stop collecting data when the buffer is full.

If rolling-buffer is selected then the trace mechanism will wrap around to the beginning of the trace buffer and continue storing data, overwriting data from previous cycles. In this mode the trace will not end until explicitly commanded by the external controller. See [Section 4.11.2, "Trace Start/Stop"](#) for more information on trace stop/start control.

Use the command **SetTraceMode** to select the trace mode. The command **GetTraceMode** retrieves the trace mode.

4.11.1.5 Trigger Mode

Atlas supports two separate methods for synchronizing data capture during trace operations; internal, under Atlas control, and external, under external controller control.

If internal is selected, trace data capture occurs automatically as determined by the trace period variable described previously. If external is selected, a special bit in the SPI protocol format is used to command when the trace will occur.

In external trigger mode an explicit command must be sent to prepare Atlas for tracing. This command resets various trace variables such as the write index so that they start the trace correctly initialized.

To select trigger mode use the command **SetTraceMode**. The command **GetTraceMode** retrieves this same information.

4.11.2 Trace Start/Stop

The external controller has the ability to control when trace capture starts and stops. Both the start condition and the stop condition can be independently programmed.

The command that is used to specify how the trace will start is **SetTraceStart**, and the command that controls how it will stop is **SetTraceStop**. Two conditions are specifiable, the first is immediate, meaning that the trace starts or stops immediately upon receipt of the **SetTraceStart** or **SetTraceStop** command. The second condition specifies that the trace bit of the SPI header will control when trace starts and stops. Trace starts at the moment this bit is set to 1, and stops at the moment this bit is set to zero.

Once a specified start or stop condition occurs, the condition is no longer active. This generally means that the condition should be reprogrammed for each trace operation.

The commands **GetTraceStart** and **GetTraceStop** are used to retrieve the currently active trace start/stop conditions.

Whether started immediately or via the SPI header trace bit, when the trace start condition occurs, all indexes are set to zero and trace data storage starts at the beginning of the buffer.

It is always necessary to specify a start condition for the trace to begin, however it is not necessary to specify a stop condition. If in rolling buffer mode, if no stop condition is specified then the trace will continue indefinitely. If in one-time buffer mode, the trace will continue till the end of the buffer is reached.

See [Section 5.2, “Packet Header”](#) for detailed information of the SPI header packet format.

4.11.3 Trace Status Word

Atlas provides a register that summarizes the instantaneous state of the trace process. This register can be read using the command **GetTraceStatus**, and is summarized below:

Bit	Name	Description
0	Trace mode	Set to 0 when in one-time mode. Set to 1 when in rolling mode.
1	Trace active	Set to 1 when trace is active (currently tracing). Set to 0 if it is not.
2	Write index wrap	Set to 1 when trace capture has wrapped. Set to 0 if it has not wrapped. If 0, the buffer has not yet been filled and all recorded data is intact. If 1, the trace has wrapped to the beginning of the buffer; any previous data may have been overwritten if not explicitly retrieved by the external controller using the ReadBuffer16 command while the trace is active.
3	Overrun	Set to 1 when the write index laps the read index, indicating that data is not being read at a sufficient rate while operating in rolling mode, and that unread data is now being overwritten by Atlas. A 0 indicates that there is no overrun. Note that this bit is never set when operating in one-time trace mode.
4	Trigger mode	Set to 1 when Atlas is in external trigger mode. Set to 0 when Atlas is in internal trigger mode.
5-15	Reserved	May contain 0 or 1.

4.11.4 Downloading Trace Data

Captured data may be downloaded by the external controller using standard buffer memory commands. See [Section 4.10, “User Memory Space & Buffers”](#) for a complete description of external memory buffer commands.

When operating in one-time trace mode, the most common approach for downloading data is to allow the trace to finish, and then to read the entire buffer starting at read index 0.

When operating in rolling mode, there are some additional considerations introduced by the fact that the write index can wrap, continuing to write data at buffer addresses already written during that trace.

To assist with this the command **GetTraceCount** is available to retrieve the total number of captures that have occurred since the start of the trace. By comparing this number with the number of data capture sets retrieved by the external controller, the external controller can determine how many more data capture sets are available for retrieval.

Also useful during rolling trace mode is the Overrun bit of the Trace Capture register. This bit indicates that Atlas has overwritten data that has not yet been read by the external controller. If the external controller's intention is to continually retrieve all data recorded, this indicates a problem.

4.11.5 Trace Data Format

During each trace period each of the trace variables is used in turn to store a 16-bit value to the trace buffer. Therefore, when data is read from the buffer, the first value read would be the value corresponding to trace variable 1, the second

value will correspond to trace variable 2, up to the number of trace variables used. This is shown in [Figure 4-14](#) with three variables shown captured.

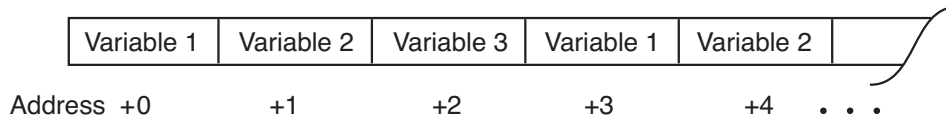


Figure 4-14:
Trace Data
Format

Along those lines, both the length of the trace buffer and the number of trace variables specified for capture affect the number of capture sets that may be stored. For example, if the trace buffer is set to the Atlas unit's maximum value of 1,020 words and two trace variables are specified, up to 510 trace samples can be stored. However if three trace variables are specified then 340 trace sets may be stored.

If smaller trace buffer sizes are used it is recommended that the length be set to an even multiple of the number of trace variables being used. A simple solution is to verify that the trace buffer length is an even multiple of 12, since 12 is evenly divisible by all possible numbers of trace variables: 1, 2, 3, and 4.

4.12 Power-up

After receiving stable power at the HV pins Atlas begins its initialization sequence.

In a power-up where no user-provided initialization parameters have been stored this takes approximately 250 mSec. At the end of this sequence all parameters are at their default values, and both the current loop module and the power stage module are disabled. At this point Atlas is ready to receive commands and begin operation.

Atlas also supports the ability to store initialization parameters that are applied during the power up sequence. For this purpose, Atlas supports a 1,024 word memory that is non-volatile (NVRAM), meaning the data stored will be available even after power to the Atlas is removed. [Figure 4-12](#) shows the user memory space and the location of the NVRAM segment.

The power-up initialization information stored in the NVRAM takes the form of Atlas command packets, however rather than being sent via SPI, these packet words are stored in memory. If the non-volatile initialization memory has been loaded with initialization information the power-up sequence detects this and begins executing the commands stored in the non-volatile memory. Note that processing stored commands may increase the overall initialization time depending on the command sequence stored.

For more information on how the initialization commands are stored into NVRAM see [Section 4.13, "Non-Volatile \(NVRAM\) Storage"](#).

4.12.1 Initialization Command Processing

If there are errors in the stored command sequence then an instruction error will be set so that the error can later be diagnosed. Atlas will abort initialization if it detects any error while processing commands.

The external controller polls the Drive Status register to determine when initialization is complete. If an error is detected the external controller can send a **GetInstructionError** to diagnose the nature of the erroneous command processed during initialization.

The order of initialization for most commands does not matter. However commands that enable Atlas for operation should be executed last in the sequence. This is because Atlas should not begin operations until all of the initialization parameters are loaded in. These commands include **SetOperatingMode**, which is used to enable Atlas modules, and **SetDriveCommandMode**, which is used to set Atlas to pulse & direction signal input mode.

4.12.2 Initialization-Specific Commands

To make power-up initialization as flexible as possible there are a few commands that are only available during initialization. These commands are listed below:

The command **Update** is used to activate buffered commands that would otherwise be made active (updated) using an SPI header command.

The command **InitializationDelay** takes an argument which specifies a delay during stored command initialization processing. This command is useful in the case that the user wants Atlas to be ready for operation only when other hardware in the overall system is powered up.

4.13 Non-Volatile (NVRAM) Storage

A primary purpose of the NVRAM is to allow Atlas initialization information to be stored so that upon power up it can be automatically loaded rather than requiring an external controller to perform this function. In addition however the NVRAM can be used for other functions such as labeling the stored initialization sequence, or for general purpose user-defined storage.

All data stored in the Atlas NVRAM utilizes a data format known as PMD Structured data Storage Format (PSF). Users who rely only on PMD's Pro-Motion software package to communicate with Atlas and store and retrieve initialization parameters may not need to concern themselves with the details of PSF. Users who want to address the NVRAM from their own software, or who want to create their own user-defined storage on the Atlas NVRAM will utilize the PSF format details provided in the subsequent sections.

4.13.1 PMD Structured Data Format

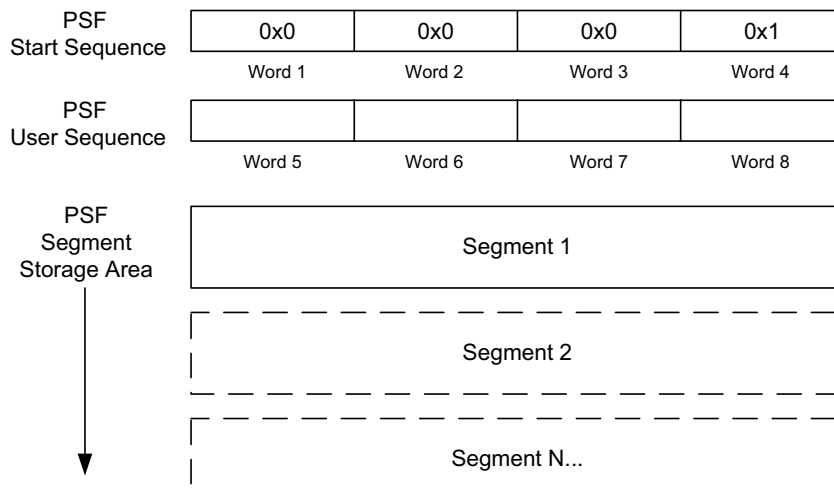


Figure 4-15:
High-Level
Format of a
PSF (PMD
Structured
Data Format)
Memory Space

PSF (PMD Structured data Format) is a general purpose data storage format designed for use with non-volatile storage memory such as provided by Atlas Digital Amplifiers. PSF provides a method to store and label initialization information used by the Atlas during startup, as well as to allow user-defined storage in NVRAM.

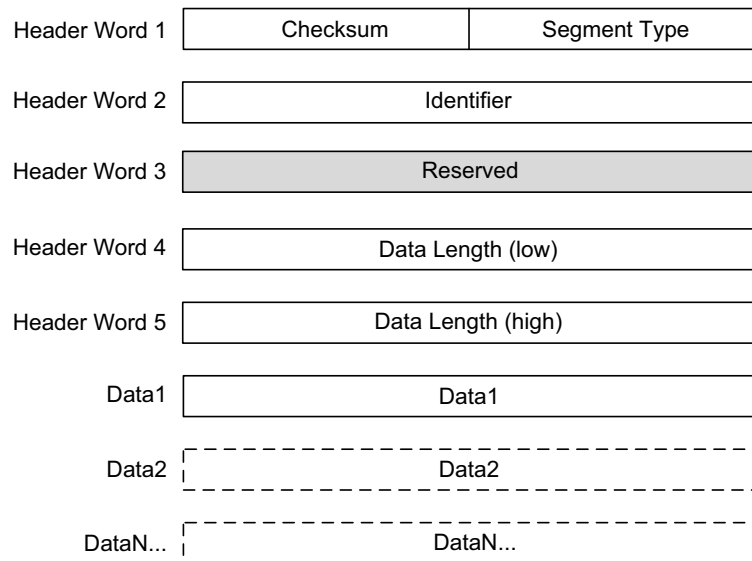
[Figure 4-15](#) shows the overall format of a PSF-managed memory area. The PSF memory space begins with a 4-word start sequence and a 4-word user programmable sequence. Each word is 16 bits in size, as are future references to words in the following sections unless otherwise noted. The start sequence must contain, in order, the values 0x0, 0x0,

0x0, and 0x1. The user sequence can be specified by the user and may contain any values. The user sequence can be used for any purpose but is often used to identify the type of information stored in the PSF memory space.

Following the eight words of sequence words are one or more data storage blocks known as segments, which are themselves structured memory blocks which must follow a specific format.

4.13.2 PSF Data Segments

Figure 4-16:
PSF Data
Segment
Format



The central mechanism which PSF provides to store data is called a data segment. PSF data segments come with their own headers which allow structuring and data integrity checks of the PSF memory space. [Figure 4-16](#) shows the format of a PSF data segment. The following section details each of the elements in this data structure.

Checksum - is the ones complement of an 8-bit ones complement checksum with a seed of 0xAA. It is computed over the entire segment space including the header. If the checksum field is computed correctly then the checksum will be 255 (0xff). The size of this field is one byte.

Segment type - specifies the formatting of the data stored in the segment. This 8 bit field encodes the values 0 through 255. Users may assign segment type values 192-255 for segment types of their own design while all other values are reserved. The size of this field is one byte.

Data length low word & high word - contains a 32 bit value encoding the number of 16-bit words of data (data0, data1, etc...) included with this segment. Data segments can be defined such that a variable number of data words is expected or a fixed number of words is expected. Whether the number of data words varies or not, the data length word must always be specified correctly for the number of data words actually contained in the segment.

Identifier - contains an unformatted 16-bit value that may be used for any purpose but is generally used to identify separate instances of multiply stored segments of the same segment type. For example if there was an array of stored segments, each of the same segment type, the identifier field might be used to identify a specific element within of the overall array of segments.

Data0, Data1, etc... is the data that is being stored in this segment. The exact format of this data is determined by the segment type.

4.13.3 Pre-Defined Segment Types

There are two pre-defined Atlas PSF storage segment types. The *Initialization Commands* storage type defines the segment that holds configuration information used during power-up while the *Parameter List* segment holds information that is useful to label the contents of the *Initialization Commands* segment.

During power up Atlas scans the NVRAM space for a properly formatted segment with type ‘*Initialization Commands*,’ and if found it initializes the Atlas using the information provided. The *Initialization Commands* segment type is defined in detail in [Section 4.13.4, “Initialization Commands Segment Type”](#).

A segment of type *Parameter List*, when preceding another segment and when containing certain specific values in the data, stores identification information associated with that segment. For example a human-readable name for the segment can be assigned along with information such as when the segment data was stored. This segment-identifying data is not utilized directly by Atlas but rather by software programs such as Pro-Motion. The *Parameter List* segment type is discussed in detail in [Section 4.13.5, “Parameter List Segment Type”](#).

4.13.4 Initialization Commands Segment Type

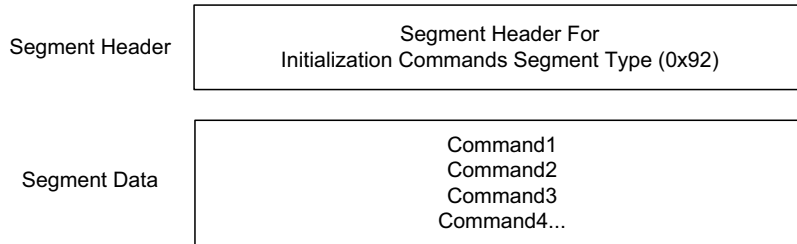


Figure 4-17:
Initialization
Commands
Segment
Format

The *Initialization Commands* segment type selects a segment format that holds the PMD commands that are processed during powerup. The segment type value for the *Initialization Commands* segment type is 0x92. The overall format of this segment type is shown in [Figure 4-17](#).

Atlas commands stored into the segment data portion of the *Initialization Commands* segment is formatted exactly as if it were being sent by the external controller using the SPI protocol during normal SPI operations. See [Chapter 5, “SPI Communications”](#) for more information on the exact format of Atlas commands sent over the SPI protocol.

The table below shows a portion of an example initialization command sequence. These example commands enable automatic event recovery mode, delay for 256 cycles so that other system components may initialize themselves, and enable motor output and current control.

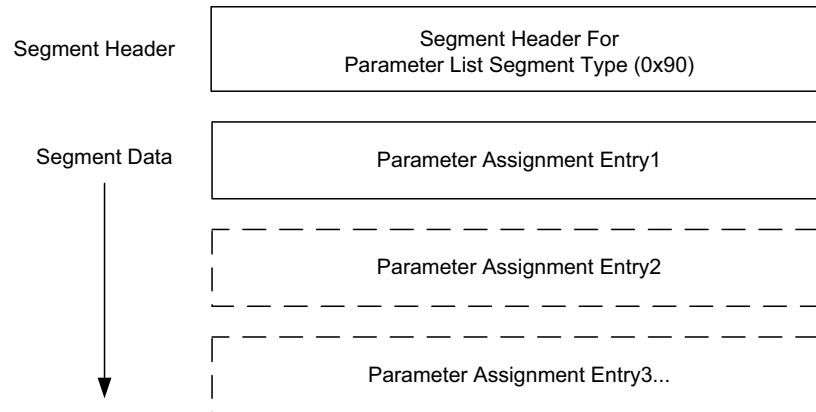
Segment			
Data		Stored Code	
Address	Mnemonic	(in hex)	Comments
Data1	SetDriveFaultParameter 2 1	0xEF62	Opcode (0x62) and checksum
Data2		0x0002	Argument 1: event handling mode
Data3		0x0001	Argument 2: automatic event recovery
Data4	InitializationDelay 0 256	0x1F35	Opcode (0x35) and checksum
Data5		0x0000	Argument 1: time delay
Data6		0x0000	Argument 2: delay, high word
Data7		0x0100	Argument 2: low word
Data8	SetOperatingMode 0x7	0xE865	Opcode (0x65) and checksum
Data9		0x0007	Argument 1: Enable output, current loop

See [Section 4.13.4, “Initialization Commands Segment Type”](#) for an example of a complete PSF memory image including an initialization command sequence.

See [Section 4.12, “Power-up”](#) for more information on initialization command processing during power up.

4.13.5 Parameter List Segment Type

Figure 4-18:
Parameter List
Segment
Format



The *Parameter List* segment type provides a general purpose mechanism for the assignment of values to parameters. A major use of the *Parameter List* segment type is to allow human-readable identification information to be recorded and read back, thereby assisting with the identification of PSF-stored data. See [Section 4.13.5.2, “Using the ID Segment Mechanism”](#) for information on how this segment ID mechanism is used within the PSF system. The segment type value for the *Parameter List* segment type is 0x90. The overall format of this segment type is shown in [Figure 4-18](#).

The parameter list segment type contains one or more assignments of the general form:

Parameter = Assigned Value

Parameter specifies the name of the parameter being assigned. *Assigned Value* contains the value to assign to the parameter. *Assigned Value* may be formatted as a character string, an integer, a floating point number, or other formats depending on the *Parameter* being assigned.

The data structure that is used to encode each such assignment in the *Parameter List* segment data area is called a parameter assignment entry. The following section details the format of this data structure.

4.13.5.1 Parameter Assignment Entry

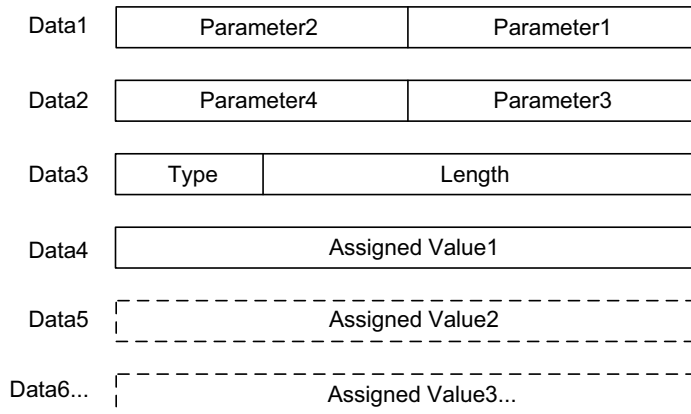


Figure 4-19:
Format of
Parameter
Assignment
Entry

[Figure 4-19](#) shows the encoding of the data words for a parameter assignment entry.

The *Parameter* field is specified as four byte-length ASCII characters.

The *Type* determines the encoding of the *Assigned Value* data. This field has a length of four bits.

The *Length* field determines the number of words contained in the *Assigned Value*. This field has a length of 12 bits.

Assigned Value1, *Assigned Value2*, etc... hold the data words comprising the *Assigned Value*.

Six specific parameters can be assigned for the purpose of segment identification. Note that not all of these parameters need to be recorded. If not found, Pro-Motion will simply not display the contents for those specific segment ID-related parameters. The following table provides details on the six available segment-ID related parameters

Parameter Field Encoding	Data Encoding Length & Type	Description
C, N, [0], [0]	The Assigned Value fields contain a UTF-16 uni-code character string of a variable length set via the length field. The type code for a UTF-16 encoded string is 0.	The CN parameter specifies a general purpose name identifier for the segment to follow. An example name might be "X axis motor init. cmds." Note that the two unused parameter field words after "CN" are filled with zeroes.
C,V,E,R	See above	The CVER parameter specifies a version identifier for the segment to follow. An example version might be "version 2.3."
D,E,S,C	See above	The DESC parameter specifies a general purpose comment for the segment to follow. An example comment might be "These gain factors were determined using the prototype unit in the engineering lab."
F,N,[0],[0]	See above	The FN parameter specifies the script file name used to store or retrieve the data in the segment to follow. An example file name might be "xaxis.txt." Note that the two unused parameter field bytes after "FN" are filled with ASCII nuls.

F,D,[0],[0]	See above	The FD parameter specifies the modification time of the script file used to store the data in the segment to follow. Times should be recorded in ISO-8601 format "YYYY-MM-DDThh:mm:ss", with hh recorded in 24 hour format. If desired only the year, month and day need be specified. The time portion of this assigned value is optional. An example assigned value might be "2017-01-25T17:13:00" to store a date and time of January 25, 2017 at 5:13pm. Note that the two unused parameter field bytes after "FD" are filled with ASCII nuls.
W,D,[0],[0]	See above	The WD parameter specifies the time that data in the segment to follow was written to NVRAM. See "FD" description for encoding and usage example. Note that the two unused parameter field bytes after "WD" are filled with ASCII nuls.

4.13.5.2 Using the ID Segment Mechanism

Collectively the six parameters from the table above are known as an ID segment. ID Segments specify information for the data segment that immediately follows it in the NVRAM PSF memory space.

When used to provide segment identifying information Pro-Motion, or a similar software program, takes ID information provided by the user and stores it in the correct format into the *Parameter List* segment. The same software program can later search the PSF memory space for segments of type *Parameter List* which hold the correct parameters to retrieve these assigned values for display to the user.

For example if the segment name (see [Section 4.13.5.1, "Parameter Assignment Entry"](#) for the various types of ID information that can be stored) was specified and saved to NVRAM as "Axis 1 motor gains" by the user during development, Pro-Motion would read from an Atlas with unknown contents and retrieve this same string for display to the user.



Other than checking the segment checksum the Atlas unit does not read or otherwise process the ID segment. ID segment information is recorded and retrieved by programs such as Pro-Motion for the convenience and utility of the user. Inclusion of an ID-containing segment is therefore optional.

4.13.6 User Defined Segment Types

PSF is a highly flexible data storage system that allows the user to store and if desired, label via the ID segment mechanism structured data into the Atlas NVRAM.

Other than ensuring that the overall NVRAM memory size is not exceeded and that the segment header format is followed there are no restrictions placed on what can be stored in the PSF memory space.

Although not required, PMD recommends that each user-defined segment be preceded with an ID segment that identifies the contents as detailed in [Section 4.13.5, "Parameter List Segment Type"](#). Doing so will assist in keeping track of what data was stored, when, etc... It will also allow the user to develop software tools that can scan the content of the PSF NVRAM space and display a summary of what is stored there, or to utilize Pro-Motion to provide this function.

4.13.7 Complete Example PSF Memory Space

[Figure 4-20](#) provides a word-by-word example of an NVRAM image used to store PSF-formatted initialization commands along with associated segment ID content.

Addr	Word	Contents	Comments	Addr	Word	Contents	Comments	
1	0x0000	0	PSF Start Sequence	40	0x006c	"l"		
2	0x0000	0		41	0x0065	"e"		
3	0x0000	0		42	0x002E	","		
4	0x0001	1		43	0x0074	"t"		
5	0x0005	5	PSF User Sequence	44	0x0078	"x"		
6	0x0006	6		45	0x0074	"t"		
7	0x0007	7		46	0x4457	'W', 'D'		Assign WD = "2017-01-25"
8	0x0008	8		47	0x0000	nul, nul		
9	0x2D90	Chksum, seg. type	Parameter List Segment	48	0x000A	type, length		
10	0x0000	identifier		49	0x0032	"2"		
11	0x0000	reserved		50	0x0030	"0"		
12	0x002D	length low		51	0x0031	"1"		
13	0x0000	length high		52	0x0037	"7"		
14	0x4E43	'C', 'N'	Assign CN = "Init1"	53	0x002D	_"		
15	0x0000	nul, nul		54	0x0030	"0"		
16	0x0005	type, length		55	0x0031	"1"		
17	0x0049	"l"		56	0x002D	_"		
18	0x006E	"n"		57	0x0032	"2"		
19	0x0069	"i"		58	0x0035	"5"		
20	0x0074	"t"		59	0xB992	chksum, seg. type		Initialization Comments Segment
21	0x0031	"1"		60	0x0000	identifier		
22	0x5643	'C', 'V'		61	0x0000	reserved		
23	0x5245	'E', 'R'		62	0x0009	length low		
24	0x0003	type, length		63	0x0000	length high		
25	0x0031	"1"	Assign CVER="1.2"	64	0xEF62	SetDriveFault Parameter 2 1		
26	0x002E	,"		65	0x0002			
27	0x0032	"2"		66	0x0001			
28	0x4544	'D', 'E'	Assign DESC = "test"	67	0x1F35	ExecutionControl 0 256		
29	0x4353	'S', 'C'		68	0x0000			
30	0x0004	type, length		69	0x0000			
31	0x0074	"t"		70	0x0100			
32	0x0065	"e"		71	0xE865			SetOperatingMode 7
33	0x0073	"s"		72	0x0007			
34	0x0074	"t"		Assign FN = "file.txt"				
35	0x4E46	'F', 'N'						
36	0x0000	nul, nul						
37	0x0008	type, length						
38	0x0066	"f"						
39	0x0069	"i"						

Figure 4-20:
Example PSF
Memory Space
Image

4.14 Writing and Reading NVRAM Data

The preceding sections described the format of data written to or read from the Atlas unit's NVRAM memory. The following section describes how writing and reading to the NVRAM memory space is accomplished.

4.14.1 Writing to NVRAM

There are significant restrictions to writing to the NVRAM area. In particular it is not possible to erase and rewrite selected sections of the memory space. Only the special sequence described in this section can be used to write memory into the user NVRAM space.

As detailed in [Section 4.13, “Non-Volatile \(NVRAM\) Storage”](#) if used, the NVRAM memory area should follow the PMD Structured data Format. Failure to do so may result in unexpected behavior of the Atlas unit during power up or during operation. If not used the NVRAM area does not need to be written to or otherwise initialized.



Data stored into the NVRAM area must follow the PSF format detailed in [Section 4.13, “Non-Volatile \(NVRAM\) Storage”](#). Failure to do so may result in unexpected behavior of the Atlas.

The following sequence is used to store command initialization data or other data to the non-volatile memory area:

- 1 Send a **DriveNVRAM** command with an argument of *NVRAMMode*. Sending this command places Atlas in a special mode allowing it to store memory into the NVRAM. Before proceeding the external controller should delay 1 second or more.
- 2 Send a **DriveNVRAM** command with an argument of *EraseNVRAM*. This command will erase the entire NVRAM memory area. Before proceeding the external controller should delay four seconds or more.
- 3 For each 16-bit word of data that is to be written into the NVRAM area the command **DriveNVRAM** with an argument of *Write* is sent, along with the data word to be written. After each word is written Atlas increments an internal pointer so that subsequent data words are automatically stored in the correct location.
- 4 Check for NVRAM write completion by sending a **NOP** command until a valid checksum is returned. In most cases this will occur right away, however due to the nature of NVRAM writing there may be times when this takes up to a millisecond. Once a valid checksum is returned check the Instruction error bit of the returned SPI Status register. If an error is recorded the entire sequence described above must be repeated from step 2. If no error is recorded continue by repeating steps 3 & 4 until all data is written.
- 5 Once all data is successfully written the external controller should send a **Reset** command, which will cause Atlas to reboot and execute a power up sequence. Note that this power-up sequence will include processing the stored data sent using the above sequence.

If an error occurs when processing NVRAM the Instruction Error event bit will be set and the **GetInstructionError** command may be used to read the error code.

4.14.2 Reading Non-Volatile Memory

If desired, it is possible to directly read the NVRAM memory area using buffer commands. See [Section 4.10, “User Memory Space & Buffers”](#) for more information on Atlas buffer processing.

To read the whole NVRAM area the buffer location should be set to 0x20000000 and the length should be set to 1,024. The standard **ReadBuffer I6** command can be used.



It is not possible to write to the NVRAM area using the buffer commands. The procedure outlined in [Section 4.14.1, “Writing to NVRAM”](#) must be used to write data to the NVRAM area.

4.15 SPI Communications Overview

Atlas uses an SPI (Serial Peripheral Interface) digital connection to communicate with the external controller. This connection is used to setup Atlas parameters, specify voltage or torque output values, monitor Atlas operation, as well as other functions.

SPI is a convenient interface because it is available on many microprocessors, provides relatively high speed communications, and uses only 4 signals; SPIClk (Clock), SPICS (chip select), SPISI (slave in), and SPISO (slave out). Atlas utilizes standard SPI signaling and timing control for the hardware interface and implements a higher level protocol on top of this. See [Section 3.6, “AC Characteristics”](#) to learn more about low-level hardware SPI signal timing, voltage levels, etc.

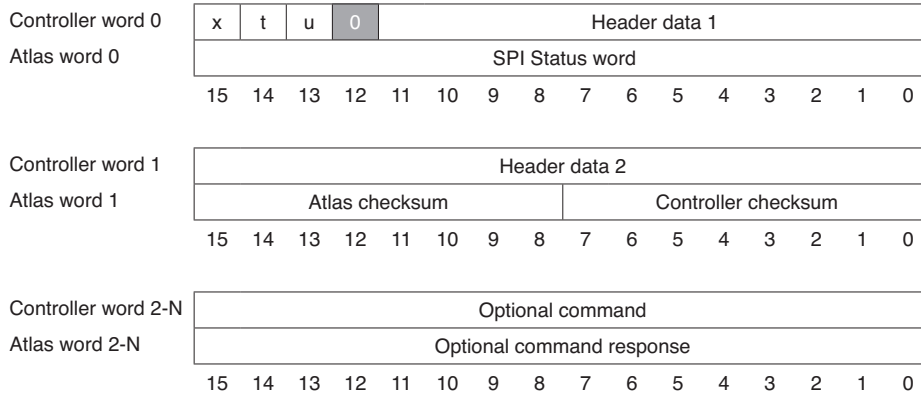


Figure 4-21:
SPI
Communications Protocol
Overview

All communications to and from Atlas are in the form of a packet. [Figure 4-21](#) shows the overall packet format. A falling edge of the chip select begins the packet, and a rising edge of the chip select ends the packet. All Atlas SPI packets are comprised of a two word header and one or more optional command words.

The first two words of the packet are called the header and are used to specify a desired motor voltage or torque along with certain other functions such as when a trace starts and when a command update should occur.

As shown in [Figure 4-21](#) each SPI word sent from the external controller to Atlas results in a return word sent from Atlas to the external controller. In fact at a signal level, each outgoing bit is sent simultaneously with each incoming bit, providing full duplex communications.

The external controller must receive and process data words sent to it by Atlas. These return words, depending on the context, contain transmission integrity information, status bits, or other useful information.

4.15.1 Sending a Voltage or Torque Output Value

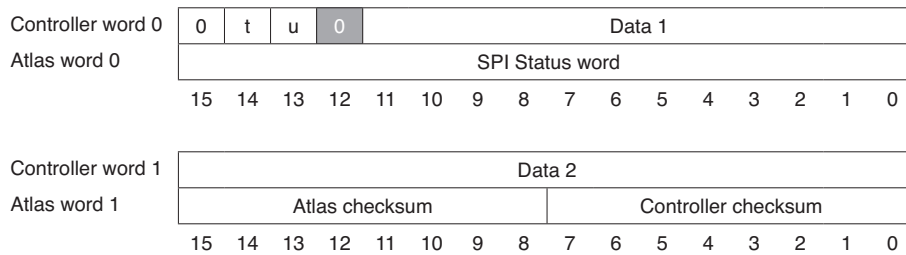


Figure 4-22:
Sending a
Voltage or
Torque Output
Value

Generally the most frequently used header transaction is an instantaneous voltage or torque output request for output by the drive. If Atlas is used as part of a higher level velocity or position controller, then these values are continuously sent to Atlas at the servo sampling speed of the main motion controller, typically between 1 kHz and 10 kHz.

[Figure 4-22](#) shows the overall format of the header words when voltage or torque commands are being sent. Depending on the motor type and command mode being used the data words will be loaded one of several different ways.

For a complete description of these fields, along with many other details of Atlas SPI operation, refer to the *Atlas Digital Amplifier Complete Technical Reference*.

This page intentionally left blank.

5. SPI Communications

In This Chapter

- ▶ SPI Communications Overview
- ▶ Packet Header
- ▶ Sending a Voltage or Torque Output Value
- ▶ Sending an Amplifier Disable
- ▶ Sending aNOP
- ▶ Sending Atlas Commands

5.1 SPI Communications Overview

Atlas uses an SPI (Serial Peripheral Interface) digital connection to communication with the external controller. This connection is used to setup Atlas parameters, specify voltage or torque output values, monitor Atlas operation, as well as other functions.

SPI is a convenient interface because it is available on many microprocessors, provides relatively high speed communications, and uses only 4 signals; SPIClk (Clock), SPICS (chip select), SPISI (slave in), and SPISO (slave out). Atlas utilizes standard SPI signaling and timing control for the hardware interface and implements a higher level protocol on top of this. See [Section 3.6, “AC Characteristics”](#) to learn more about low-level hardware SPI signal timing, voltage levels, etc.

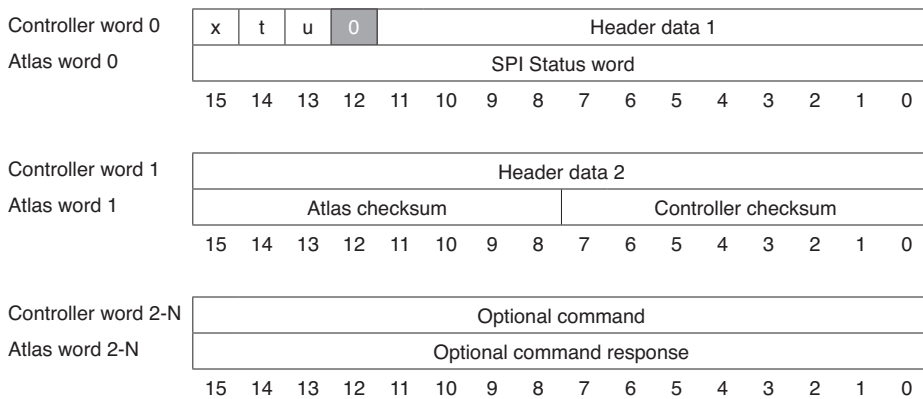


Figure 5-1:
SPI
Communica-
tions Protocol
Overview

All communications to and from Atlas are in the form of a packet. [Figure 5-1](#) shows the overall packet format. A falling edge of the chip select begins the packet, and a rising edge of the chip select ends the packet. All Atlas SPI packets are comprised of a two word header and one or more optional command words.

5.2 Packet Header

The first two words of the packet are called the header and are used to specify a desired motor voltage or torque along with certain other functions such as when a trace starts and when a command update should occur.

Here is a detailed description of the Atlas packet header:

Field	Bit	Name	Description
data 1	0-11	Header data 1	Holds various data, the format of which depends on the state of the Torque data flag.
	12	Reserved	This field is reserved, and should be loaded with a 0.
u	13	Update flag	A 0 in this field means that a buffered command update is not commanded. A 1 in this field results in an update of all buffered parameters.
t	14	Trace active flag	This field controls various trace-related activities. See Section 4.11, “Trace Capture” for details. A 0 in this field means that trace is not active. A 1 signals that a trace is active, or that a capture is requested.
x	15	Torque data flag	A 0 in this field means the header will contain a desired voltage or torque output value. A 1 means that it will contain a request for a disable operation or a NOP operation.
data 2	0-15	Header data 2	Holds various data, the format of which depends on the state of the Torque data flag.

The ‘x’ bit field affects the format of other fields, in particular the data 1 and data 2 fields. Therefore care should be taken to correctly select the value of this field and associated data 1 and data 2 fields.

The ‘t’ and the ‘u’ bit-fields do not affect the format of other fields, and may be set to any value at any time as desired by the external controller. These fields are a means for the external controller to synchronize activities for trace and update-related functions of Atlas. See [Section 4.11, “Trace Capture”](#) for more information on use of the trace active flag.

5.2.1 Header Return Words

As shown in [Figure 5-1](#) each SPI word sent from the external controller to Atlas results in a return word sent from Atlas to the external controller. In fact at a signal level, each outgoing bit is sent simultaneously with each incoming bit, providing full duplex communications.

The external controller must receive and process data words sent to it by Atlas. These return words, depending on the context, contain transmission integrity information, status bits, or other useful information.

The table below provides the contents of the data words returned by Atlas during header SPI transmissions.

Field	Description
SPI Status word	Contains 16 bits of drive status, signal status, and event information that can be monitored by the external controller. See Section 4.7.4, “SPI Status Register” for a complete description of this word.
Atlas checksum	Atlas checksum is the 8 bit, ones-complement checksum of four bytes: the low byte of SPI Status Word, the high byte of SPI Status Word, the Controller Checksum byte (see next field), and the byte value 0xAA. These four bytes along with the Atlas checksum received by the external controller should evaluate to a checksum of 0xFF.
Controller checksum	Controller checksum is the 8 bit, ones-complement checksum of five bytes: the low and high bytes of both previously received header words and the byte value 0xAA. These five bytes along with the controller checksum received by the external controller, should evaluate to a checksum of 0xFF.

The external controller should verify both the Atlas and Controller checksum. Checksum errors of any kind may indicate a serious problem with external controller to Atlas communications. It is the responsibility of the user to determine the source of any communication problems and take appropriate corrective action



5.2.1.1 Example Checksum Calculations

A ones-complement checksum is computed by adding each 8 bit byte as an unsigned quantity, and in case of a carry adding 1. Only the low 8 bits are kept for the final result. A seed of 0xAA is used to make sure that the checksum does not verify in the case that a data line is locked either high or low.

Here is an example of header checksum calculations in the host:

Assume the two words of the previously sent header were 0x6789 and 0xABCD. Assume that the just-received SPI Status Word has a value of 0x147A, and assume that the received Atlas and Controllers checksums are 0xDB and 0xEA respectively.

First, we check the controller checksum-related fields. This is a ones complement addition as follows:

```

0x67      / high byte of header word 1
0x89      / low byte of header word 1
0xAB      / high byte of header word 2
0xCD      / low byte of header word 2
0xAA      / checksum seed
0xEA      / received controller checksum
+  -----
0xFF

```

The total indeed equals 0xFF, indicating that Atlas correctly received the previous two header words.

Next, we check the Atlas checksum-related fields. This is a ones-complement addition as follows:

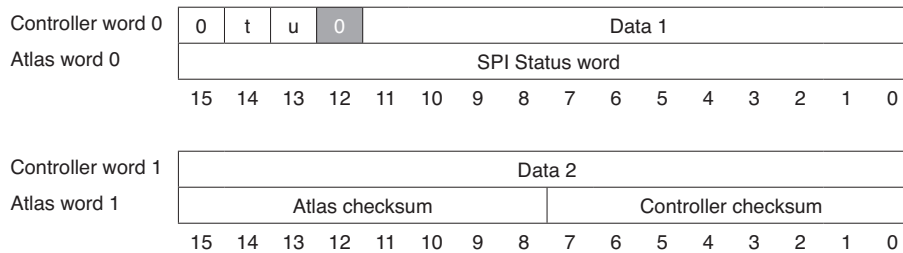
```

0x14      / high byte of received SPI Status Word
0x7A      / low byte of received SPI Status Word
0xEA      / received controller checksum
0xAA      / checksum seed
0xDB      / received Atlas checksum
+  ----
0xFF

```

5.3 Sending a Voltage or Torque Output Value

Figure 5-2:
Sending a
Voltage or
Torque Output
Value



Generally the most frequently used header transaction is an instantaneous voltage or torque output request for output by the drive. If Atlas is used as part of a higher level velocity or position controller, then these values are continuously sent to Atlas at the servo sampling speed of the main motion controller, typically between 1 kHz and 10 kHz.

[Figure 5-2](#) shows the overall format of the header words when voltage or torque commands are being sent. Depending on the motor type and command mode being used the data words will be loaded one of several different ways. The following table shows this:

Header Data		
Word	Contents	Description
DC Brush		
Data 1	0	Must contain zero
Data 2	Torque	Contains a 16-bit signed integer representing the desired torque. The provided current value is an unsigned 16-bit integer with units of 1.526 mA/count. For example a specified value of 6,553 represents a current command of $1.526\text{mA} * 6,553 = 10.00 \text{ A}$.
Brushless DC		
Data 1	Phase angle	Contains a 12-bit unsigned integer representing the electrical phase angle of the motor. A value of 0 equals 0.0° , and a value of 0xFF represents 359.9° . See Section 4.4, "Commutation" for more information on phase control in brushless motors.
Data 2	Torque	Contains a 16-bit signed integer representing the desired torque. See the above description for the torque scaling.
Step Motor SPI Pulse & Direction Mode		
Data 1	AtRest Indicator	Bit 0 indicates whether the motor is at rest. If set to 1 motor is at rest and Atlas will use the pre-programmed holding torque. If set to 0 Atlas will use the pre-programmed drive torque.
Data 2	Position increment	Contains a 16-bit signed integer representing the relative position increment to move. See Section 4.9.2, "SPI Pulse & Direction Mode" for more information

5.4 Sending an Amplifier Disable

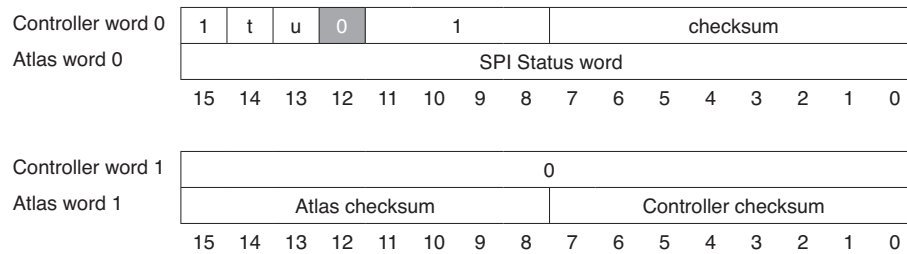


Figure 5-3:
Amplifier
Disable
Command
Format

The header can be used to rapidly disable Atlas motor output. This operation is identical to sending a **SetOperationMode** command with current loop and power stage modules disabled, however faster.

To disable Atlas output, a 1 should appear in the ‘x’ field (bit 15 of the first header word), the high four bits of Data 1 should be loaded with a 1, a checksum should be loaded into the low 8 bits of Data 1, and 0 should be loaded into Data 2. This is shown in [Figure 5-3](#).

The checksum byte should be loaded such that when the ones-complement checksum of all four bytes of the header words, the byte value 0xFF, and the transmitted checksum byte evaluate to 0xFF. If the checksum is not correct, Atlas will take no action as a result of this packet transmission.

5.5 Sending a NOP

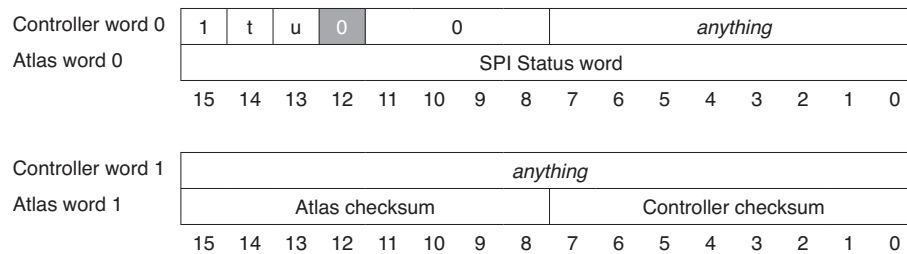


Figure 5-4:
NOP Command
Format

There are times when it may be useful to send a header without providing a new torque command or disabling the drive. This might be the case, for example, when the external controller only wants to update the ‘t’ (trace) header field or the ‘u’ (update) fields. In addition, this may be useful to verify controller to Atlas communication without requesting a specific action.

Such an operation is called a NOP (no operation) header transaction.

To send a NOP to Atlas, a 1 should appear in the ‘x’ field (bit 15 of the first header word), the high four bits of Data 1 should be loaded with a 0, the low byte of Data 1 can contain anything, and Data 2 can contain anything. This is shown in [Figure 5-4](#).

5.6 Sending Atlas Commands

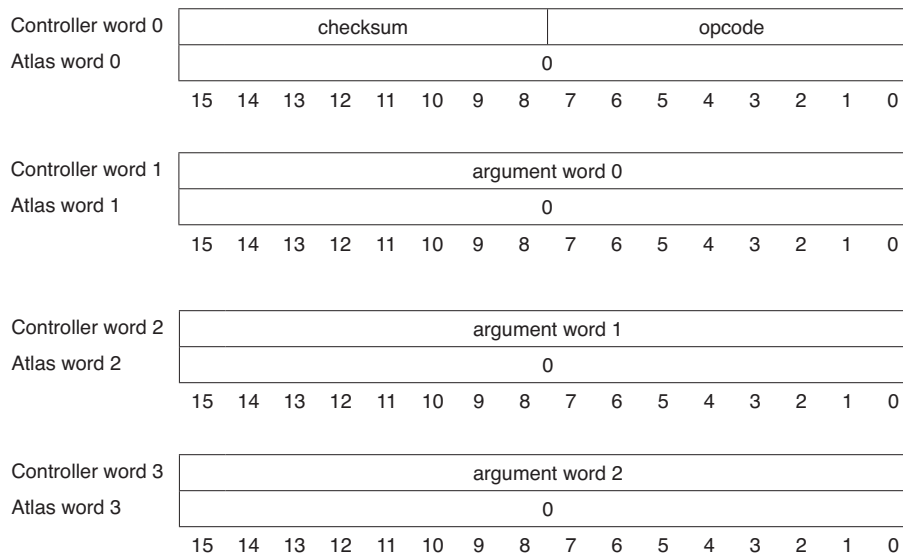
Header communication transactions, described in the preceding sections, always consist of two 16-bit words. As such, they are well suited to high speed operations such as continuously sending desired torque commands.

In addition to header communications however, Atlas supports an extensive command set that specifies and queries a much larger number of registers and parameters. Throughout this manual we have illustrated the use of this command set with mnemonics, for example the commands **SetOperatingMode** or **GetEventAction**.

Access to this full Atlas command set is supported within the SPI protocol using the command words shown in [Figure 5-5](#). Commands are split into two overall groups, those that specify information to Atlas, and those that query information from Atlas. Processing of each type is somewhat different, and the following sections will describe both of these types of command operations.

5.6.1 Sending an Atlas Command

Figure 5-5:
Send
Command
Format



[Figure 5-5](#) shows the overall format for commands that request an action or specify data to Atlas.

The associated data fields begin at the third word of the overall SPI packet and consist of a checksum byte, an opcode byte, and one or more argument data words.

The checksum is calculated by ones-complement adding a byte value of 0xAA and all bytes of all words of the command including the opcode and argument words, but not including any data words in the header. When evaluated, this checksum should give a value of 0xFF for the checksum.

Each separate command mnemonic supported by Atlas is encoded with a unique 8 bit opcode. These opcodes, along with the argument fields of the command data word, are listed in Chapter 6, the *Programmer Command Reference*. Users familiar with PMD's Magellan, Navigator, or 1st generation motion processor products will note that the overall format of these commands are very similar to those products.

5.6.2 Error Processing

If the command checksum shown in [Figure 5-6](#) received by Atlas does not evaluate to 0xFF Atlas will return an SPI Checksum Error and set the instruction error bit of the Event Status register.

In addition to such checksum errors the instruction error bit is set when an otherwise valid instruction or instruction sequence is sent when the Atlas unit's current operating state makes the instructions invalid, when an invalid opcode is sent, or when the arguments to a command are invalid.

5.6.3 Sending Commands that Query Information

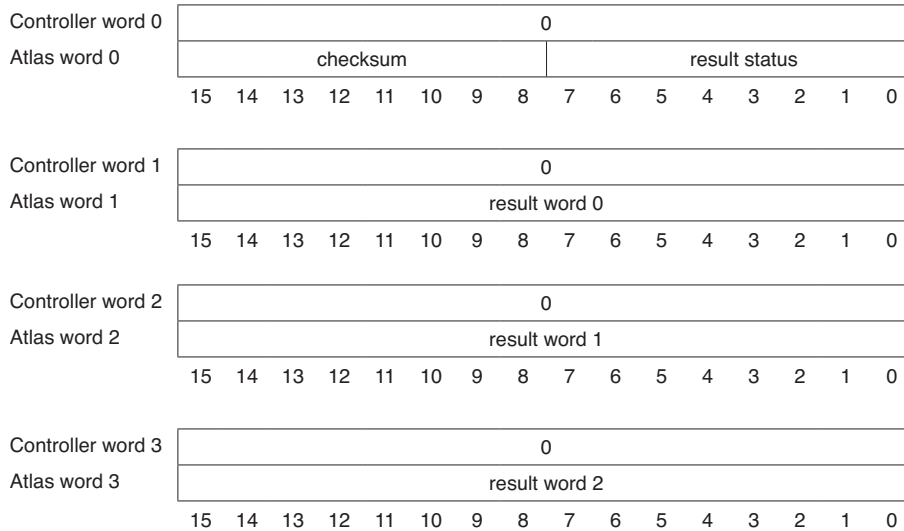


Figure 5-6: Query Command Format

[Figure 5-6](#) shows the overall return packet format for an Atlas command sent by the external controller that requests information from Atlas.

Atlas returns a series of result words. The first such word contains a checksum byte such that the ones-complement sum of 0xAA, the checksum itself, and all the data bytes returned by Atlas evaluates to 0xFF. This checksum is correct when the ones-complement sum of these bytes is 0xFF. This first result word also contains a signed 8-bit number containing the number of result words to follow. If this number is negative, an error has occurred, and the instruction error bit of the Event Status register is set.

Subsequent result words hold the actual data being returned by Atlas. For example if the command **GetOperatingMode** is sent, the first result word will contain an 8-bit checksum in the high byte and the number 1 in the low byte indicating 1 data word to follow. The next result word will contain the actual 16-bit value of the operating mode register.

During a read command, while the external controller is loading data from Atlas, it should write zeroes to the SPI bus. Similarly, during a write command by the external controller Atlas loads zeroes in the return word. Therefore it is recommended that the external processor check that these words have a zero. If not, this indicates that the external controller has become out of synch with Atlas indicating a communication problem.



5.6.4 Interlacing Command Communications

There may be situations where processing the entire Atlas command sequence in one contiguous SPI packet will place an undue burden on the external processor. This is particularly true if the external processor has a large number of axes to manage and a limited time slice to send information to each connected Atlas.

To lower the worst case timing burden of sending and retrieving results from commands Atlas allows the command data stream to be interlaced with header operations. In other words Atlas does not require that each transmitted or received word associated with command processing occur in its entirety after a particular header transaction. The overall command data transmissions may occur over the course of several such header transactions.

6. Instruction Reference

6.1 How to Use This Reference

The instructions are arranged alphabetically, except that all “Set/Get” pairs (for example, **SetFOC** and **GetFOC**) are described together. Each description begins on a new page and most occupy no more than a single page. Each page is organized as follows:

Name	The instruction mnemonic is shown at the left, its hexadecimal code at the right.
Syntax	The instruction mnemonic (in bold) and its required arguments (in italic) are shown with all arguments separated by spaces.
Buffered	Certain parameters and other data written to the motion processor are buffered. That is, they are not acted upon until the next command update. These parameters are identified by the word “buffered” in the instruction heading.
Motor Types	The motor types to which this command applies. Supported motor types are printed in black; unsupported motor types for the command are greyed out.
Arguments	There are two types of arguments: encoded-field and numeric. Encoded-field arguments are packed into a single 16-bit data word. The name of the argument (in italic) is that shown in the generic syntax. Instance (in italic) is the mnemonic used to represent the data value. Encoding is the value assigned to the field for that instance. For numeric arguments, the parameter value, the type (signed or unsigned integer), and the range of acceptable values are given. Numeric arguments may require one or two data words. For 32-bit arguments, the high-order part is transmitted first.
Packet Structure	This is a graphic representation of the 16-bit words transmitted in the packet: the instruction, which is identified by its name, followed by 1, 2, or 3 data words. Bit numbers are shown directly below each word. For each field in a word, only the high and low bits are shown. For 32-bit numeric data, the high-order bits are numbered from 16 to 31, the low-order bits from 0 to 15. The hex code of the instruction is shown in boldface. Argument names are shown in their respective words or fields. For data words, the direction of transfer—read or write—is shown at the left of the word's diagram. Unused bits are shaded. All unused bits must be 0 in data words and instructions sent (written) to the motion processor.
Description	Describes what the instruction does and any special information relating to the instruction.
Restrictions	Describes the circumstances in which the instruction is not valid, that is, when it should not be issued. For example, GetCommandedPosition is relevant only in pulse and direction mode.
see	Refers to related instructions.

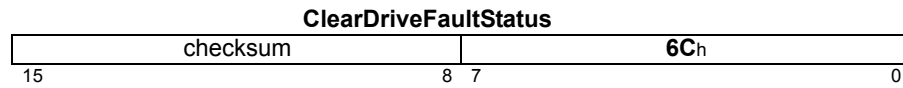
Syntax ClearDriveFaultStatus

Motor Types

DC Brush	Brushless DC	Microstepping
----------	--------------	---------------

Arguments None

Packet Structure



Description

ClearDriveFaultStatus clears all bits in the Drive Fault Status register. A bit is cleared only if it has been read by **GetDriveFaultStatus** since the last detection of the fault condition, so that information on faults detected between **GetDriveFaultStatus** and **ClearDriveFaultStatus** is not lost.

Restrictions

see **GetDriveFaultStatus** ([p. 102](#))

Syntax DriveNVRAM *Option Value*

Motor Types

DC Brush	Brushless DC	Microstepping
----------	--------------	---------------

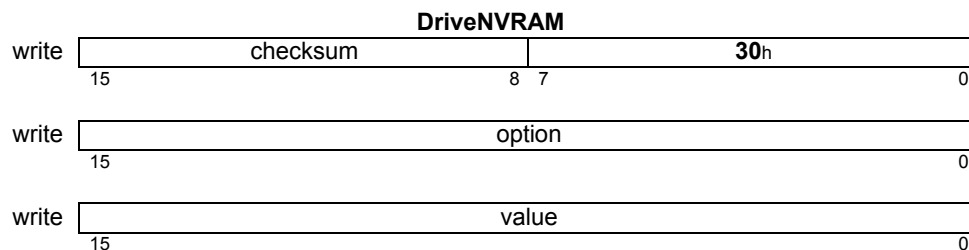
Arguments

Name	Instance	Encoding
<i>option</i>	<i>NVRAM Mode</i>	0
	<i>Erase NVRAM</i>	1
	<i>Write</i>	2
	<i>Block Write Begin</i>	3
	<i>Block Write End</i>	4
	<i>Skip</i>	8

value	Type	Range
	<i>unsigned 16-bit</i>	See below

None

Packet Structure



Description

The **DriveNVRAM** command is used to program the non-volatile memory. This memory is used primarily for user-specified power-on initialization, but may also be used for storing arbitrary non-volatile user data.

The command **DriveNVRAM 0 1** may be used to reset Atlas without executing the commands in NVRAM. This command is required in order to read NVRAM contents when they would configure Atlas in pulse and direction input mode. It may be used either in NVRAM or normal modes.

Atlas must be put in a special mode of operation in order to program NVRAM, in this mode most Atlas commands are not supported, and will return an error code of NVRAM Mode (26). In order to enter NVRAM mode, use the command **DriveNVRAM 0 0**.

While changing to NVRAM mode Atlas will not respond to SPI communications, so the controlling processor should use this sequence of operations:

- 1) Send the **DriveNVRAM** command
- 2) Wait for at least 500 microseconds
- 3) Send a NOP torque command
- 4) While the checksum read is wrong, repeat step (3)

This sequence of operations should also be used with the **Erase NVRAM**, **Write**, and **Block Write End** commands, all of which may interfere with SPI communications for some time. The Instruction Error bit of the SPI status word should be checked after each such NVRAM operation, and the **GetInstructionError** command used to check error status if it is set.

Description (cont.)

NVRAM bits may be cleared individually, but may only be set as an entire block. This operation is called an erase, in the erased state each word reads as 0xFFFF. Typically NVRAM will be erased each time new initialization instructions are written, but this is not absolutely required.

In order to erase NVRAM, use the command **DriveNVRAM 1 0**, and follow the wait sequence shown for entering NVRAM mode.

After erasing NVRAM, 16-bit words may be written, beginning at location zero. After writing each word an internal pointer will be advanced to the next location. It is the user's responsibility to keep track of the current write position, it cannot be directly read.

In order to write a single word, use the command **DriveNVRAM 2 Value**, where Value may be any 16-bit word. After writing the wait sequence should be followed.

If it is desired to skip a sequence of locations that already have the correct values the command **DriveNVRAM 8 N** may be used, where N is the number of words to skip. No wait procedure is required after this command.

In order to speed up long NVRAM writes a block write facility is provided. A block write is begun by using the **DriveNVRAM 3 N** command, where N is the number of words that will be written as a block. N may be at most 32. No wait procedure is required after this command.

The values to write are provided using a torque-like command, the first header word of this command is 0x0F00, and the second word is the value to write to an internal buffer.

Once all the values of a write block have been sent the command **DriveNVRAM 4** checksum should be sent to start the actual write process. The checksum argument is a 16-bit ones complement checksum over all of the words to be written, if Atlas does not verify the checksum it will respond with an NVRAM checksum Error (25). If the checksum is verified then the success code will be returned, and the wait procedure should be followed.

When all NVRAM operations are complete it is necessary to either power cycle Atlas or send a Reset command in order to exit NVRAM mode.

It is not necessary to enter NVRAM mode in order to read the contents of NVRAM, that may be done by using the SetBufferStart command to specify the NVRAM base, 0x20000000, as the start of a buffer, and the ReadBuffer16 command to retrieve NVRAM values.

Restrictions

Before entering NVRAM mode motor output must be disabled by setting the operating mode to 1. Most ordinary commands are not supported in NVRAM mode.

see

SetOperatingMode (p. 144), **GetInstructionError** (p. 108), **SetBufferStart**, **ReadBuffer16** (p. 121)

Syntax `GetActiveOperatingMode`

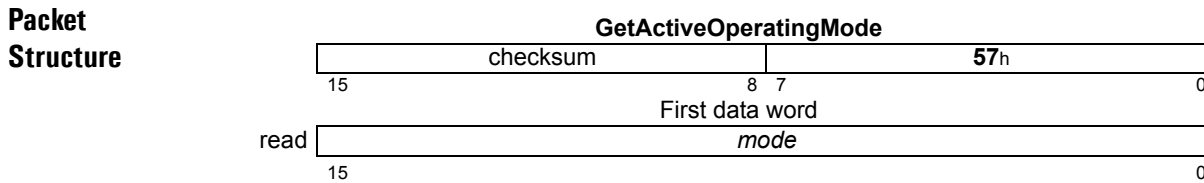
Motor Types

DC Brush	Brushless DC	Microstepping
----------	--------------	---------------

Arguments None

Returned Data

<i>mode</i>	Type	unsigned 16 bits	bit field
-------------	------	------------------	-----------



Description `GetActiveOperatingMode` gets the actual operating mode that the Atlas is currently using. This may or may not be the same as the static operating mode, as safety responses or programmable conditions may change the **Active Operating Mode**. When this occurs, the **Active Operating Mode** can be changed to the programmed static operating mode using the `RestoreOperatingMode` command. The bit definitions of the operating mode are given below.

Name	Bit	Description
—	0	Reserved.
Motor Output Enabled	1	0: motor outputs disabled. 1: motor outputs enabled.
Current Control Enabled	2	0: current control bypassed. 1: current control active.
—	3–15	Reserved

When the current loop is disabled, it operates by passing its input directly to its output, and clearing all internal state variables (such as integrator sums, etc.).

Restrictions

see `GetOperatingMode` (p. 144), `RestoreOperatingMode` (p. 125), `Set/GetEventAction` (p. 139)

Syntax **GetBusVoltage**

Motor Types

DC Brush	Brushless DC	Microstepping
----------	--------------	---------------

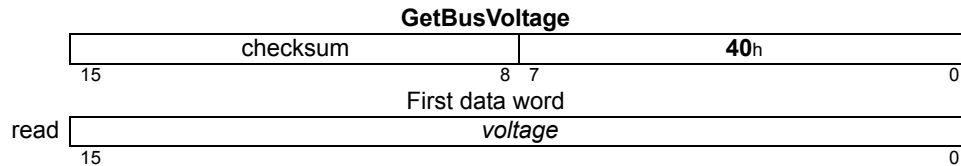
Arguments

None

Returned Data

	Type	Range	Scaling
<i>voltage</i>	unsigned 16 bits	0 to $2^{16}-1$	1.3612 mv/count

Packet Structure



Description

GetBusVoltage gets the most recent bus voltage reading from the Atlas.

Restrictions

see

Get/SetDriveFault ([p. 102](#))

Syntax **GetChecksum**

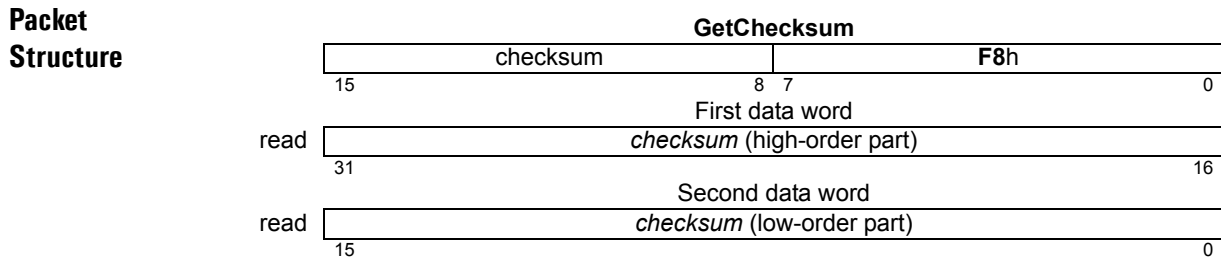
Motor Types

DC Brush	Brushless DC	Microstepping
----------	--------------	---------------

Arguments None

Returned data

Name	Type
<i>checksum</i>	unsigned 32 bits



Description **GetChecksum** reads the Atlas internal 32-bit *checksum* value. The return value is dependent on the silicon revision number of the motion processor.

Restrictions

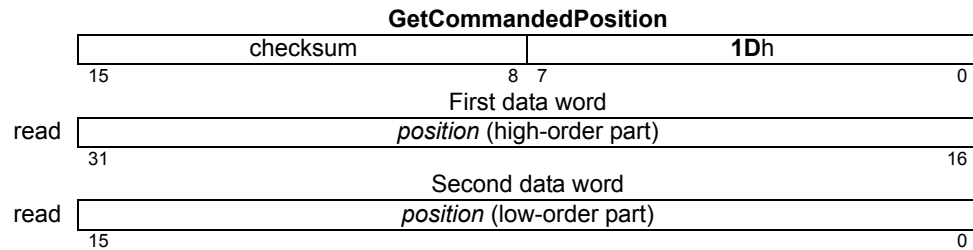
Syntax **GetCommandedPosition**

Motor Types  **Microstepping**

Arguments None

Returned data	Type	Range	Scaling	Units
<i>position</i>	signed 32 bits	-2^{31} to $2^{31}-1$	unity	microsteps

Packet Structure



Description **GetCommandedPosition** returns the commanded position. Commanded position is the instantaneous position value resulting from accumulated pulse and direction commands.

Restrictions The result is not meaningful unless Atlas is in pulse and direction mode, either hardware or SPI-emulated

see **GetDriveCommandMode** ([p. 135](#))

Syntax `GetCurrentLoopValue loopnum node`

Motor Types

DC Brush	Brushless DC	Microstepping
----------	--------------	---------------

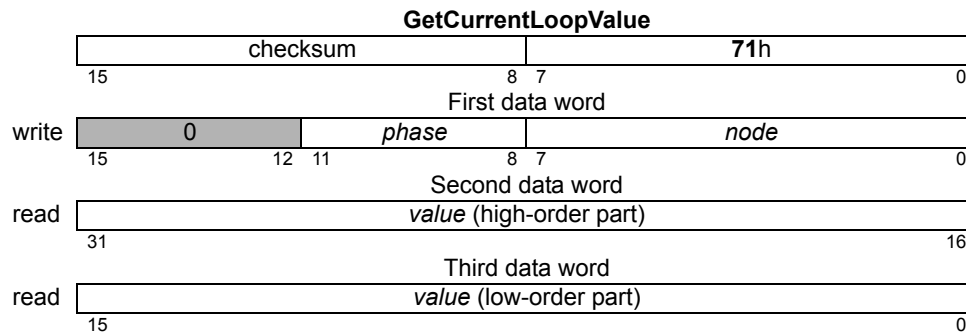
Arguments

Name	Instance	Encoding
<i>phase</i>	Phase A	0
	Phase B	1
<i>node</i>	Reference	0
	Actual Current	1
	Error	2
	— (Reserved)	4
	Integral Contribution	5
	Output	6
	I ² t Energy	10

Returned data

	Type	Range/Scaling
<i>value</i>	signed 32 bits	see below

Packet Structure



Description

GetCurrentLoopValue is used to read the value of a *node* in one of the digital current loops. See the product user guide for more information on the location of each *node* in the current loop processing. Though the data returned is signed 32 bits regardless of the *node*, the range and format vary depending on the *node*, as follows:

Node	Range	Scaling	Units
Reference	-2 ¹⁵ to 2 ¹⁵ -1	Dependent on unit*	Amps
Actual Current	-2 ¹⁵ to 2 ¹⁵ -1	Dependent on unit*	Amps
Error	-2 ¹⁵ to 2 ¹⁵ -1	Dependent on unit*	Amps
Integral Contribution	-2 ³¹ to 2 ³¹ -1	100/2 ²²	% max output
Output	-2 ¹⁵ to 2 ¹⁵ -1	100/2 ¹⁵	% max output
I ² t Energy	-2 ³¹ to 2 ³¹ -1	100/2 ³¹	% max energy

* See [Section 3.11, “Atlas Conversion Factors”](#) for correct scaling for the Atlas unit you are using.

Restrictions

This command is only supported when the current control mode is Phase A /B.

see

Set/GetCurrentLoop (p. 133), **Set/GetCurrentControlMode** (p. 130), **Set/Get Current Foldback** (p. 131)

Syntax**GetDriveFaultStatus****Motor Types**

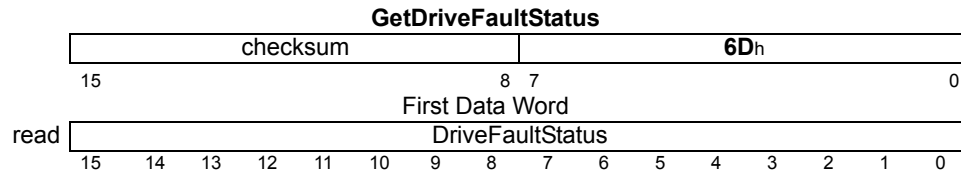
DC Brush	Brushless DC	Microstepping
----------	--------------	---------------

Arguments

None

Returned Data

status **Type**
 unsigned 16 bits see below

Packet**Structure****Description**

GetDriveFaultStatus gets the Drive Fault Status register, which is used to report the cause of several disabling events.

The table below shows the bit definitions of the Drive Fault Status register.

Name	Bit
Overcurrent Fault	0
— (Reserved)	
— (Reserved)	
Operating Mode Mismatch	3
Watchdog Timeout	4
Overvoltage Fault	5
Undervoltage Fault	6
Disabled by ~Enable	7
Current Foldback	8
Overtemperature	9
SPI Checksum Error	10
— (Reserved)	11–15

All of the fault bits are associated with the Drive Exception event, and indicate the cause of that event. When the Drive Exception event is raised motor output is always disabled.

Operating Mode Mismatch means that a torque command was received when Atlas motor output was not enabled.

Watchdog Timeout means that no valid communication was received from a controlling SPI processor for the watchdog period, which is set using the **SetDriveFaultParameter** command.

Disabled means that an inactive ~Enable signal was seen.

Overcurrent means that an excessive bus or bridge leg current was detected.

Over Voltage and Under Voltage mean that the bus voltage was outside acceptable limits, which may be modified by using the **SetDriveFaultParameter** command.

Current Foldback means that a current foldback event has occurred.

Overtemperature means that the internal temperature reading has exceeded the limit, which may be specified using the **SetDriveFaultFaultParameter** command.

**Description
(cont.)**

SPI Checksum Error means that an error was detected in the header (first two words) of an SPI packet, used for sending torque commands. Checksums are only used when sending an amplifier disable command. See [Section 5.4, “Sending an Amplifier Disable”](#) for more information. Checksum errors detected in other command processing are reported using the Instruction Error bit in the Event Status register, and in the Instruction Error register.

All bits in the Drive Fault Status register are latched, and may be cleared by using the **ClearDriveFaultStatus** command, which unconditionally clears all bits. The Drive Fault Status register should be cleared before attempting to handle any disabling condition, so the cause of subsequent failures may be determined.

Restrictions**see**

ClearDriveFaultStatus (p. 94), **Set/GetDriveFault Parameter** (p. 136), **GetEventStatus** (p. 105), **GetInstructionError** (p. 108)

Syntax GetDriveStatus

Motor Types

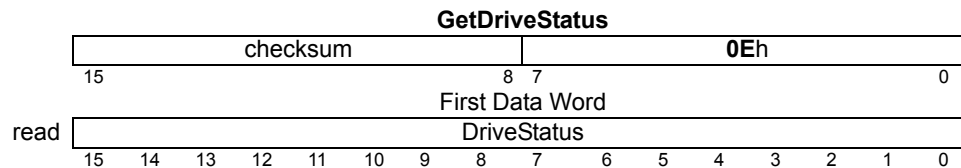
DC Brush	Brushless DC	Microstepping
----------	--------------	---------------

Arguments None

Returned data

status **Type**
 unsigned 16 bits see below

Packet Structure



Description

GetDriveStatus reads the Drive Status register. All of the bits in this status word are set and cleared by Atlas. They are not settable or clearable by command. The bits represent states or conditions in the Atlas that are of a transient nature.

Name	Bit(s)	Description
—	0	Reserved; not used; may be 0 or 1.
In Foldback	1	Set to 1 when the unit is in the current foldback state—the output current is limited by the foldback limit.
Overtemperature	2	Set to 1 when the overtemperature condition is present.
—	3	Reserved; not used; may be 0 or 1.
In Holding	4	Set to 1 when the unit is in the holding current state—the output current is limited by the holding current limit.
Overvoltage	5	Set to 1 when the overvoltage condition is present.
Undervoltage	6	Set to 1 when the undervoltage condition is present.
Disabled	7	The \sim Enable signal is not currently asserted.
—	8–11	Reserved; not used; may be 0 or 1.
Clipping	12	Set to 1 when drive output is constrained by PWM limit or by operating limits, 0 when drive output is set by the current loop.
— (Reserved)	13–14	
Initialization	15	Set to 1 when processing initialization commands in NVRAM, 0 when initialization is complete.

Restrictions

The In Holding bit is meaningful only when in pulse and direction mode, either hardware or SPI-emulated.

see [ClearDriveFaultStatus](#) (p. 94)

Syntax **GetEventStatus**

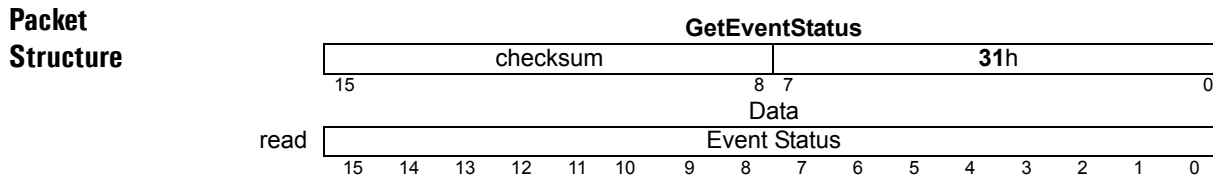
Motor Types

DC Brush	Brushless DC	Microstepping
----------	--------------	---------------

Arguments None

Returned data

	<i>Type</i>	
<i>status</i>	unsigned 16 bits	see below



Description **GetEventStatus** reads the Event Status register. All of the bits in this status word are set by the internal events and cleared by command. To clear these bits, use the **ResetEventStatus** command. The following table shows the encoding of the data returned by this command.

Name	Bit(s)	Description
—	0–6	(Reserved)
Instruction Error	7	Set to 1 when an instruction error has occurred.
	8	(Reserved)
Overtemperature Fault	9	Set to 1 when an overtemperature condition has occurred.
Drive Exception	10	Set to 1 when a disabling drive fault has occurred.
—	11	(Reserved)
Current Foldback	12	Set to 1 when current foldback has occurred.
—	13–15	(Reserved)

Restrictions

see **GetDriveFaultStatus** (p. 102), **GetDriveStatus** (p. 104), **ResetEventStatus** (p. 124)

Syntax GetFOCValue *loop node*

Motor Types

	Brushless DC	Microstepping
--	--------------	---------------

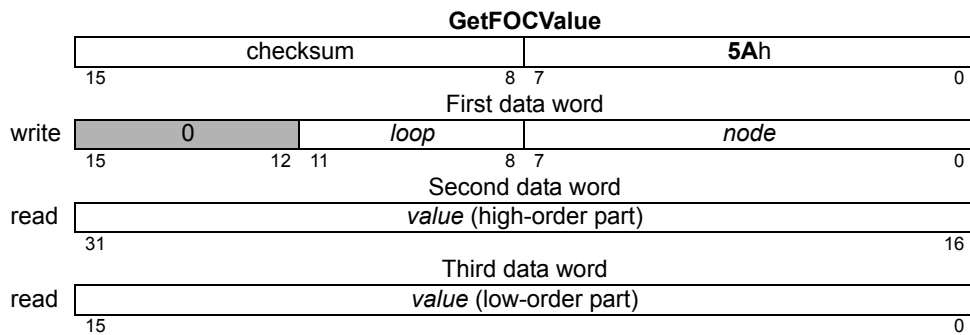
Arguments

Name	Instance	Encoding
<i>loop</i>	<i>Direct (d)</i>	0
	<i>Quadrature (q)</i>	1
<i>node</i>	<i>Reference (d,q)</i>	0
	<i>Feedback (d,q)</i>	1
	<i>Error (d,q)</i>	2
	— (Reserved)	3-4
	<i>Integral Contribution (d,q)</i>	5
	<i>Output (d,q)</i>	6
	<i>FOC Output (Alpha,Beta)</i>	7
	<i>Actual Current (A,B)</i>	8
<i>I²t Energy</i>	10	

Returned data

	Type	Range/Scaling
<i>value</i>	signed 32 bits	see below

Packet Structure



Description

GetFOCValue is used to read the value of a *node* of the FOC current control.

Though the data returned is signed 32 bits regardless of the *node*, the range and format vary depending on the *node*, as follows:

Node	Range	Scaling	Units
<i>Reference (d,q)</i>	-2^{15} to $2^{15}-1$	$100/2^{14}$	% max current
<i>Feedback (d,q)</i>	-2^{18} to $2^{18}-1$	$100/2^{14}$	% max current
<i>Error (d,q)</i>	-2^{15} to $2^{15}-1$	$100/2^{14}$	% max current
<i>Integral Contribution (d,q)</i>	-2^{31} to $2^{31}-1$	$100/2^{14}$	% max current
<i>Output (d,q)</i>	-2^{15} to $2^{15}-1$	$100/2^{14}$	% PWM
<i>FOC Output (Alpha,Beta)</i>	-2^{15} to $2^{15}-1$	$100/2^{14}$	% PWM
<i>Actual Current (A,B)</i>	-2^{15} to $2^{15}-1$	$100/2^{14}$	% max current
<i>I²t Energy</i>	-2^{31} to $2^{31}-1$	$100/2^{30}$	% max energy

**Description
(cont.)**

Most of the *nodes* have units of % maximum current, and most have a scaling of $100/2^{14}$. That is, a value of 2^{14} corresponds to 100% maximum current. The range is extended to allow for overshoot in excess of maximum peak current, and thus values can be more than 100% of the maximum output current.

The maximum current is the largest current that can be represented rather than the maximum that can be sourced or sensed. The maximum current can be calculated via the formula:

$$Max = Current\ Scaling * 0x8000$$

For example for the high power Altas, using the scale factor from [Section 3.11, "Atlas Conversion Factors"](#), the maximum current = $1.526\text{mA}/\text{count} * 0x8000\ \text{counts} = 50\text{A}$.

Restrictions

This command is only supported when the current control mode is set to FOC.

see

Set/GetFOC (p. 141), **Set/GetCurrentControlMode** (p. 130)
Set/Get Current Foldback (p. 131)

Syntax GetInstructionError

Motor Types

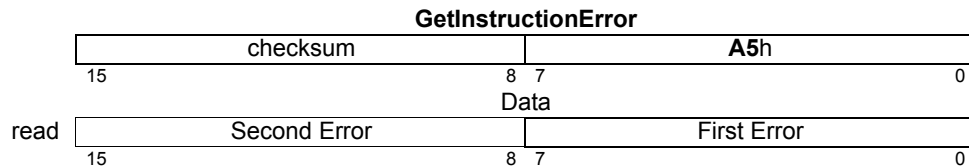
DC Brush	Brushless DC	Microstepping
----------	--------------	---------------

Arguments None

Returned data

	Type	Range
<i>First Error</i>	unsigned 8 bits	0 to 1Ch
<i>Second Error</i>	unsigned 8 bits	0 to 1Ch

Packet Structure



Description

GetInstructionError returns two 8 bit codes indicating command failures, and then resets both error fields to zero. Generally, this command is issued only after the instruction error bit in the Event Status register indicates that there was an instruction error.

If only one command failure has occurred then the second error field will be zero; if no command failures have occurred then both fields will be zero. After powering up or receiving a reset command Atlas will set the instruction error bit, and set the first error field in the instruction error register to Processor Reset (1). Any error occurring during initialization from NVRAM will be recorded by the second error field.

The error codes are encoded as defined below:

Error Code	Encoding
No error	0
Processor reset	1
Invalid instruction	2
— (Reserved)	3
Invalid parameter	4
Trace running	5
— (Reserved)	6
Block out of bounds	7
— (Reserved)	8–Eh
Invalid Operating Mode restore after event-triggered change	10h
Invalid Operating Mode for command	11h
Invalid register state	12h
— (Reserved)	13h, 14h
Bad SPI command checksum	15h
Incorrect SPI command protocol	16h
SPI command timing violation	17h

**Description
(cont.)**

Error Code	Encoding
Invalid torque command	18h
Bad flash checksum	19h
Command not valid in flash mode	1Ah
— (Reserved)	1Bh
Command valid only for initialization	1Ch

Restrictions

see [GetEventStatus \(p. 105\)](#), [ResetEventStatus \(p. 124\)](#)

Syntax GetPhaseAngle

Motor Types

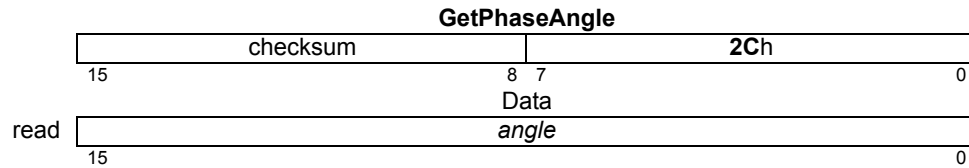
	Brushless DC	Microstepping
--	--------------	---------------

Arguments

None

	Type	Range	Scaling	Units
<i>angle</i>	unsigned 16 bits	0 to $2^{15}-1$	unity	revolutions microsteps

Packet Structure



Description

GetPhaseAngle returns the instantaneous commutation or microstepping angle as set by the last torque command. 0x10000, which is just out of range, corresponds to 360 degrees, or one revolution, and is equivalent to zero.

Restrictions

None

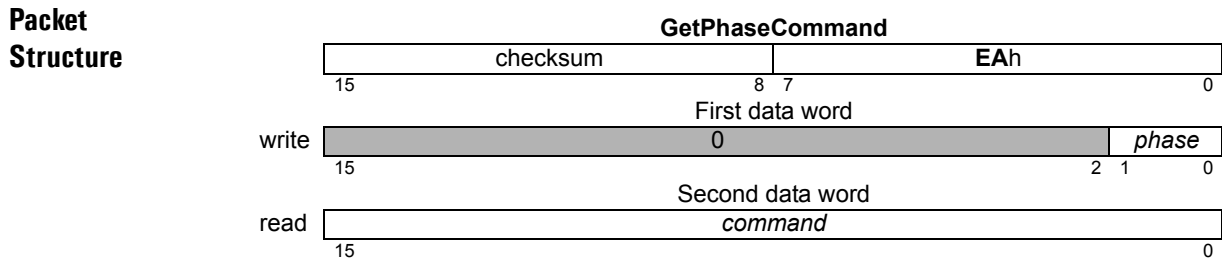
see

Syntax **GetPhaseCommand** *phase*

Motor Types	Brushless DC	Microstepping
--------------------	---------------------	----------------------

Arguments	Name	Instance	Encoding
	<i>phase</i>	<i>Phase A</i>	0
		<i>Phase B</i>	1
		<i>Phase C</i>	2

Returned data	Type	Range	Scaling	Units
<i>command</i>	signed 16 bits	-2^{15} to $2^{15}-1$	100/2 ¹⁵	% output



Description **GetPhaseCommand** returns the value of the commutated phase command for phase A, B, or C. These are the phase command values directly output to the current loop or motor after commutation.

Scaling example: If a value of $-4,489$ is retrieved (EE77h) for a given phase, then this corresponds to $-4,489 * 100 / 32,767 = -13.7\%$ of full-scale output.

Restrictions *Phase C* is only valid when the motor type has been set for a 3-phase commutation.

This command has no meaning when current control mode is set to FOC whether or not the current loops are enabled.

When the current control mode is set to *Phase A / B* current loops, the values are the inputs to the current loops. When current loops are disabled, the value is the motor output command.

see **SetCurrentControlMode** (p. 130)

Syntax**GetSignalStatus****Motor Types**

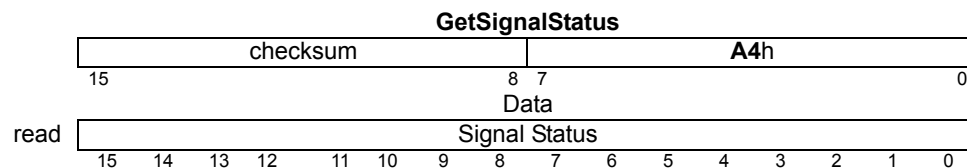
DC Brush	Brushless DC	Microstepping
----------	--------------	---------------

Arguments

None

Returned data

see below **Type**
unsigned 16 bits

Packet Structure**Description**

GetSignalStatus returns the contents of the Signal Status register. Each bit in the Signal Status register is set if the corresponding signal is high, and clear if the signal is low. The \sim Enable signal is an input, and the *FaultOut* signal is an output. See **SetFaultOutMask** (p. 140) for more on how the *FaultOut* signal is controlled.

The Signal Status register contains the value of the various hardware signals connected to the Atlas drive.

The bit definitions are as follows:

Description	Bit Number
— (Reserved)	0–12
/Enable In	13
FaultOut	14
— (Reserved)	15

Restrictions

see **GetDriveFaultStatus** (p. 102), **GetEventStatus** (p. 105)

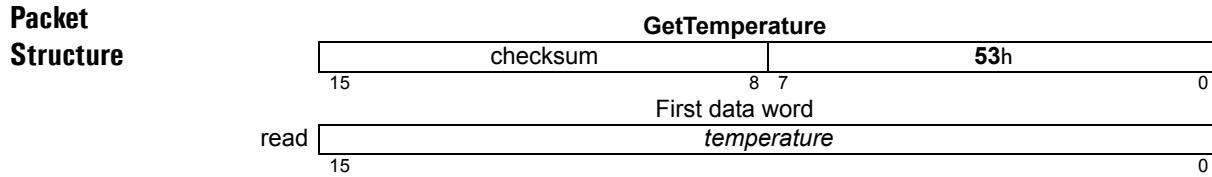
Syntax **GetTemperature**

Motor Types

DC Brush	Brushless DC	Microstepping
----------	--------------	---------------

Arguments None

Returned Data	<i>temperature</i>	Type signed 16 bits	Range −2 ¹⁵ to 2 ¹⁵ −1	Scaling 2 ⁸	Units °C
----------------------	--------------------	-------------------------------	--	----------------------------------	--------------------



Description **GetTemperature** gets the most recent temperature reading from the Atlas internal temperature sensor.

Restrictions

see **Get/SetDriveFault** (p. 98)

Syntax

GetTime

Motor Types

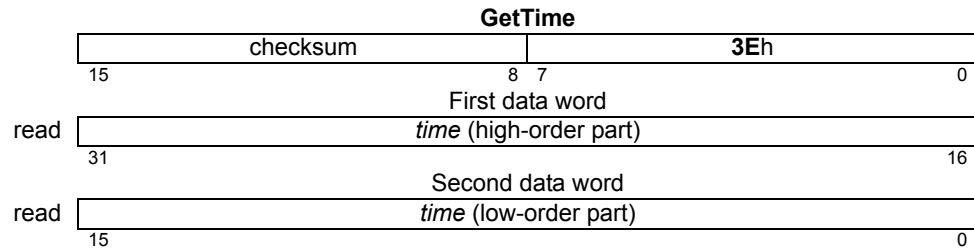
DC Brush	Brushless DC	Microstepping
----------	--------------	---------------

Arguments

None

Returned data

Name	Type	Range	Scaling	Units
<i>time</i>	unsigned 32 bits	0 to $2^{32}-1$	unity	cycles

Packet Structure**Description**

GetTime returns the number of cycles which have occurred since the motion processor was last reset. The time units are current loop cycles.

Restrictions

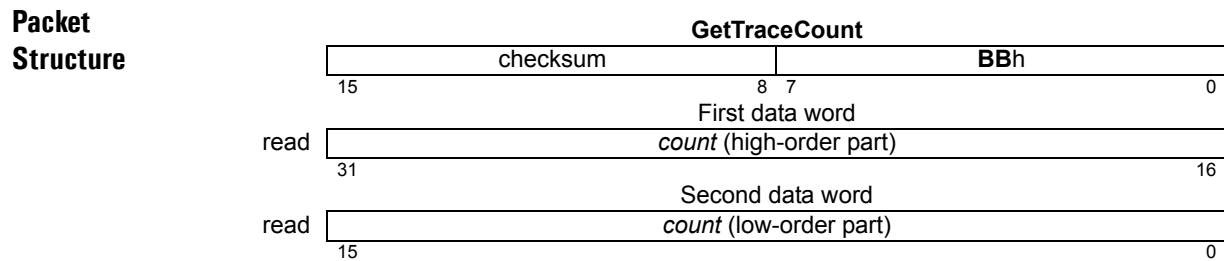
see

Syntax **GetTraceCount**

Motor Types	DC Brush	Brushless DC	Microstepping
--------------------	----------	--------------	---------------

Arguments None

Returned data	Name	Type	Range	Scaling	Units
	<i>count</i>	unsigned 32 bits	0 to $2^{32}-1$	unity	samples



Description **GetTraceCount** returns the number of points (variable values) stored in the trace buffer since the beginning of the trace.

Restrictions If the trace mode is set to “rolling” and the buffer wraps, **GetTraceCount** returns the total number of samples written since trace was started.

see **ReadBuffer16** (p. 121), **Set/GetBufferLength** (p. 126), **Set/GetTraceMode** (p. 148), **Set/Get Trace Start** (p. 150), **Get/Set Trace Stop** (p. 151)

Syntax GetTraceStatus

Motor Types

DC Brush	Brushless DC	Microstepping
----------	--------------	---------------

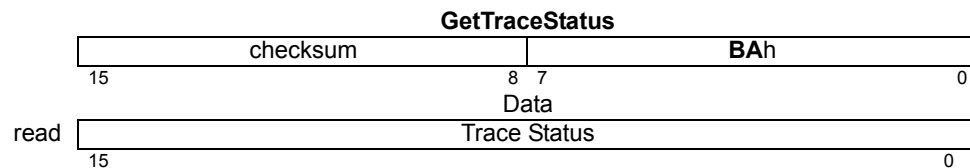
Arguments

None

Returned data

Name see below
Type unsigned 16 bits

Packet Structure



Description

GetTraceStatus returns the trace status. The definitions of the individual status bits are as follows:

Name	Bit Number	Description
Roll	0	Set to 0 when trace is in one-time mode, 1 when in rolling mode.
Activity	1	Set to 1 when trace is active (currently tracing), 0 if trace is stopped either because of a command or filling the trace buffer.
Data Wrap	2	Set to 1 when trace has filled the buffer; when in rolling mode trace will then write at the beginning of the buffer, and data may be lost.
Overrun	3	Set to 1 when a trace buffer location has been written before the previously written value was read from buffer 0. If all trace reads are done using buffer 0 this bit indicates that data has been lost.
Not Empty	4	Set to 1 when a trace buffer location has been written but has not been read from buffer 0. If all trace reads are done using buffer 0 this bit indicates that new trace data is available.
Command	5	Set to 1 when trace has been turned on by the controlling processor. In internal trigger mode this means that the last torque command had the trace bit set; in external trigger mode it means that at least one torque command had the trace bit set since trace activity was cleared by SetTraceMode
	6-7	(Reserved)
Trigger	8	Clear means internal trigger mode, a set of trace samples is taken based on the Atlas internal clock and the Trace Period register. Set means external trigger mode, exactly one set of trace samples is taken whenever a torque command with the trace bit set is received
	9-15	(Reserved)

The Data Wrap and Overrun bits are cleared when trace goes from being off (Activity 0) to on (Activity 1), because of the detection of the programmed trace start condition.

Restrictions

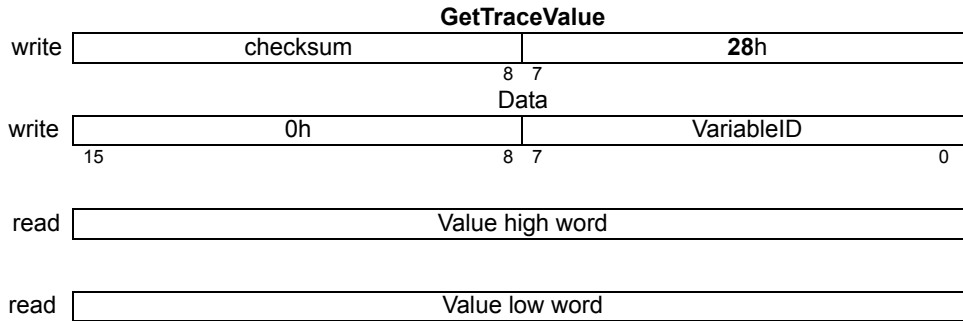
see [Set/GetTraceMode \(p. 148\)](#), [Set/Get Trace Start \(p. 150\)](#), [Set/Get Trace Stop \(p. 151\)](#)

Syntax **GetTraceValue** *VariableID*

Arguments **Name** **Instance** **Encoding**
VariableID *see SetTraceVariable (p. 152)*

Returned data **Name** **Type**
Value signed *and* unsigned 32bits

Packet Structure



Description **GetTraceValue** is used to read a single traceable value, without having to set up the trace buffer, trace mode, and so forth. The meaning of the *variableID* argument is exactly the same as in **SetTraceVariable**. Signed values are sign extended to 32 bits, unsigned values are zero extended.

Syntax**GetVersion****Motor Types**

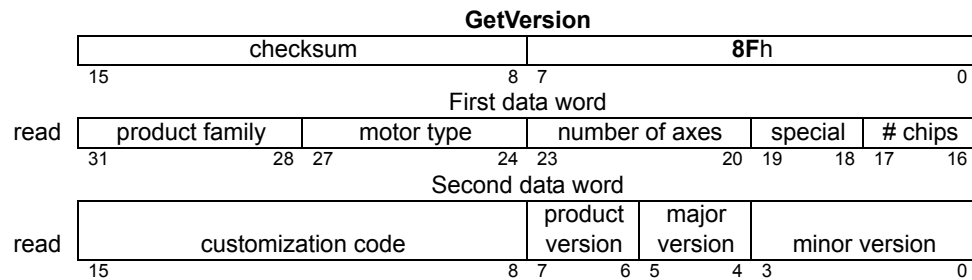
DC Brush	Brushless DC	Microstepping
----------	--------------	---------------

Arguments

None

Returned data

Name	Type
<i>version</i>	unsigned 32 bits

Packet Structure**Description**

GetVersion returns product information encoded as shown in the preceding packet structure diagram. Individual data fields are encoded as defined in the following table.

Name	Description	Encoding
product family	Atlas	Ah
motor type	DC Brush	1
motor type	Step Motor	4
motor type	Brushless DC	3
motor type	Mult. Motor	8
number of axes	Maximum number of supported axes	1 to 15
special	(Reserved)	0 to 3
# chips		1
customization code	None	0
	Other	1 to 255
product version		0 to 3
major s/w version		0 to 3
minor s/w version		0 to 15

Restrictions

see

Syntax InitializationDelay *option cycles*

Motor Types

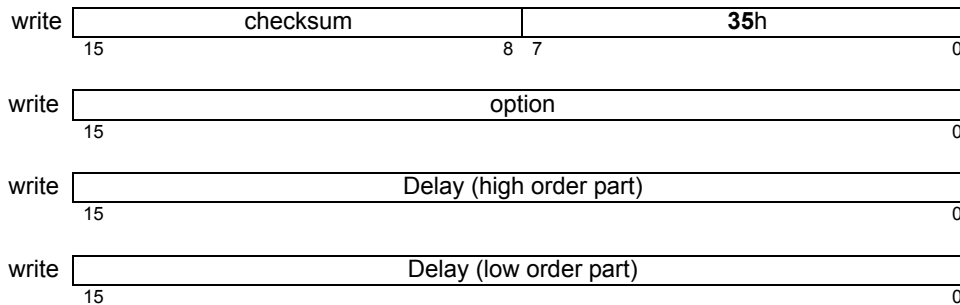
DC Brush	Brushless DC	Microstepping
----------	--------------	---------------

Arguments

Name	Instance	Encoding	Range	Scaling
<i>option</i>	<i>0</i>	<i>time delay</i>		
Name	Type	Range	Scaling	
<i>cycles</i>	unsigned 32 bits	0-2 ³² -1	unity	

Returned data None

Packet Structure



Description

InitializationDelay is used to cause a fixed time delay during the processing of user initialization commands in the Atlas non-volatile memory, typically to allow some other system component to initialize or stabilize itself.

The argument specifies the number of current loop cycles to delay. Normal Atlas processing of external signals, status registers, and motor outputs is enabled during the user initialization phase.

Restrictions

InitializationDelay is valid only as an initialization command read from nonvolatile memory, it is not a valid SPI command.

Syntax NoOperation

Motor Types

DC Brush	Brushless DC	Microstepping
----------	--------------	---------------

Arguments None

Returned data None

Packet Structure

NoOperation		
checksum	00h	
15	8 7	0

Description The **NoOperation** command has no effect on the motion processor. It may be useful for verifying or synchronizing communications.

Restrictions

see

Syntax **ReadBuffer16** *bufferID*

Motor Types

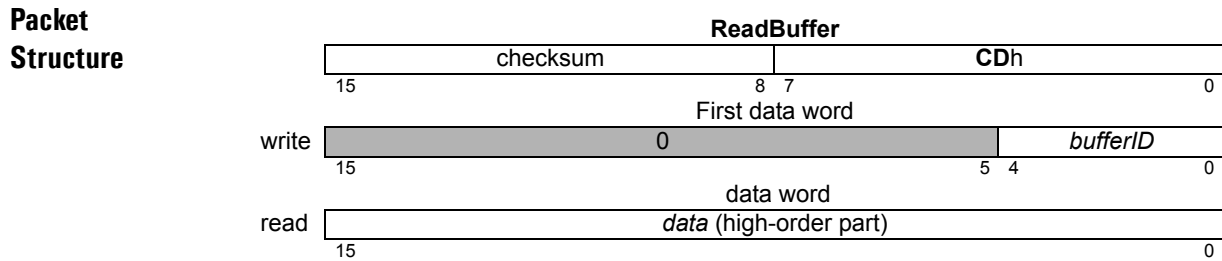
DC Brush	Brushless DC	Microstepping
----------	--------------	---------------

Arguments

Name	Type	Range
<i>bufferID</i>	unsigned 16 bits	0 to 3

Returned data

	Type	Range
<i>data</i>	signed 16 bits	-2^{15} to $2^{15}-1$



Description **ReadBuffer16** returns the 16-bit contents of the location pointed to by the read buffer index in the specified buffer. After the contents have been read, the read index is incremented by 1. If the result is equal to the buffer length (set by **SetBufferLength**), the index is reset to zero (0).

Restrictions

see **Set/GetBufferReadIndex** (p. 127), **Set/GetBufferStart** (p. 128), **Set/GetBufferLength** (p. 126)

Syntax **Reset**

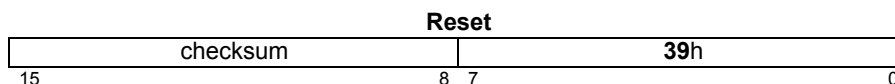
Motor Types

DC Brush	Brushless DC	Microstepping
----------	--------------	---------------

Arguments None

Returned data None

Packet Structure



Description

Reset restores the motion processor to its initial condition, setting all motion processor variables to their default values. Most variables are motor-type independent; however several default values depend upon the motor type of the Atlas. The motor-type independent values are listed here.

	Default Value	Buffered
Commutation		
Phase Angle	0	No
Phase Counts	256	No
Current Control		
Current Control Mode	1	Yes
Current Loop Kp (both A and B loops)	0	Yes
Current Loop Ki (both A and B loops)	0	Yes
Current Loop Integration Limit (both A and B loops)	4000h	Yes
FOC Kp (both d and q loops)	0	Yes
FOC Ki (both d and q loops)	0	Yes
FOC Integration Limit (both d and q loops)	4000h	Yes
Holding Current	0	No
Drive Current	0	No
Motor Output		
Operating Mode	1	No
Active Operating Mode	1	No
PWM Frequency	4875	No
RAM Buffers		
Buffer Start (buffer 0)	0	No
Buffer Length (buffer 0)	1020	No
Buffer Start (buffer 1)	20000000h	No
Buffer Length (buffer 1)	1024	No
Buffer Read Index (all)	0	No
Buffer Write Index (all)	0	No
Safety		
Current Foldback Event Action	7	No
Watchdog Limit	0	No
Trace		
Trace Mode	0	No
Trace Period	1	No
Trace Variables (all)	0	No

Description
(cont.)

	Default Value			
	Low Power	Medium Power	High Power	Buffered
Overvoltage Limit	38,207 (52 V)	38,207 (52 V)	44,085 (60 V)	N
Undervoltage Limit	7348 (10 V)	7348 (10 V)	7348 (10 V)	N
Overtemperature Limit	19,200 (75°C)	19,200 (75°C)	19,200 (75 °C))	N
Temperature Hysteresis	1280 (5°C)	1280 (5°C)	1280 (5°C)	N
Continuous Current Limit				
BLDC	9172 (2.12 A)	9264 (7.07 A)	9264 (14.14 A)	N
DC Brush	6486 (1.5 A)	9172 (7.00 A)	9172 (14.00 A)	N
Step	9172 (2.12 A)	8338 (6.37 A)	8338 (12.73 A)	N
Energy Limit				
BLDC	502 (3.0 A ² s)	498 (31.9 A ² s)	498 (127.5 A ² s)	N
DC Brush	617 (3.6 A ² s)	503 (32.2 A ² s)	503 (128.7 A ² s)	N
Step	502 (3.0 A ² s)	542 (34.7 A ² s)	542 (138.9 A ² s)	N

Notes

Restrictions

The typical time before the device is ready for communication after a reset is 250ms for Atlas products.

Not all of the listed variables are available on all products. See the product user guide.

see

Syntax **ResetEventStatus** *mask*

Motor Types

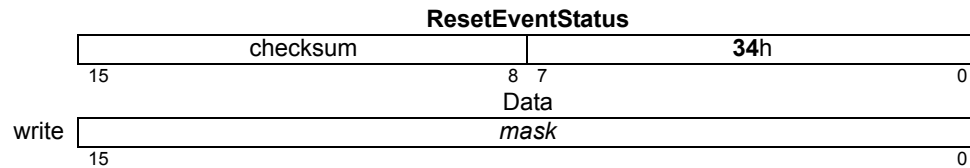
DC Brush	Brushless DC	Microstepping
----------	--------------	---------------

Arguments

Name	Instance	Encoding
<i>mask</i>	<i>Instruction Error</i>	FF7Fh
	<i>Overtemperature Fault</i>	FDFFh
	<i>Drive Exception</i>	FBFFh
	<i>Current Foldback</i>	EFFFh

Returned data None

Packet Structure



Description

ResetEventStatus clears (sets to 0) each bit in the Event Status register that has a value of 0 in the *mask* sent with this command. All other Event Status register bits (bits that have a mask value of 1) are unaffected.

Events that cause changes in operating mode or trajectory require, in general, that the corresponding bit in Event Status be cleared prior to returning to operation. That is, prior to restoring the operating mode in cases where the event caused a change in it.

Restrictions

Not all bits in **ResetEventStatus** are supported in some products. See the product user manual.

see

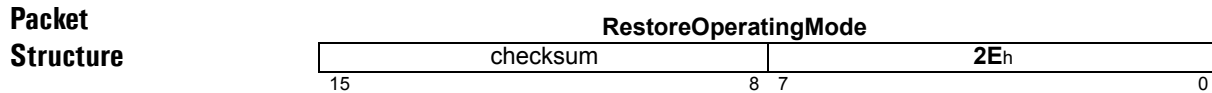
GetEventStatus (p. 105)

Syntax RestoreOperatingMode

Motor Types

DC Brush	Brushless DC	Microstepping
----------	--------------	---------------

Arguments None



Description **RestoreOperatingMode** is used to command Atlas to return to its static operating mode. It should be used when the active operating mode has changed due to actions taken from safety events or other programmed events. Calling **RestoreOperatingMode** will re-enable all loops that were disabled as a result of events.

Restrictions Before using **RestoreOperatingMode** to return to the static operating mode, the event status bits should all be cleared. If a bit in event status that caused a change in operating mode is not cleared, this command will return an error. If using Magellan, the **RestoreOperatingMode** command should be sent to a Magellan axis, rather than to an Atlas axis. Otherwise Magellan will immediately disable Atlas again.

see [GetActiveOperatingMode \(p. 97\)](#), [Set/GetOperatingMode \(p. 144\)](#), [Set/GetEventAction \(p. 139\)](#)

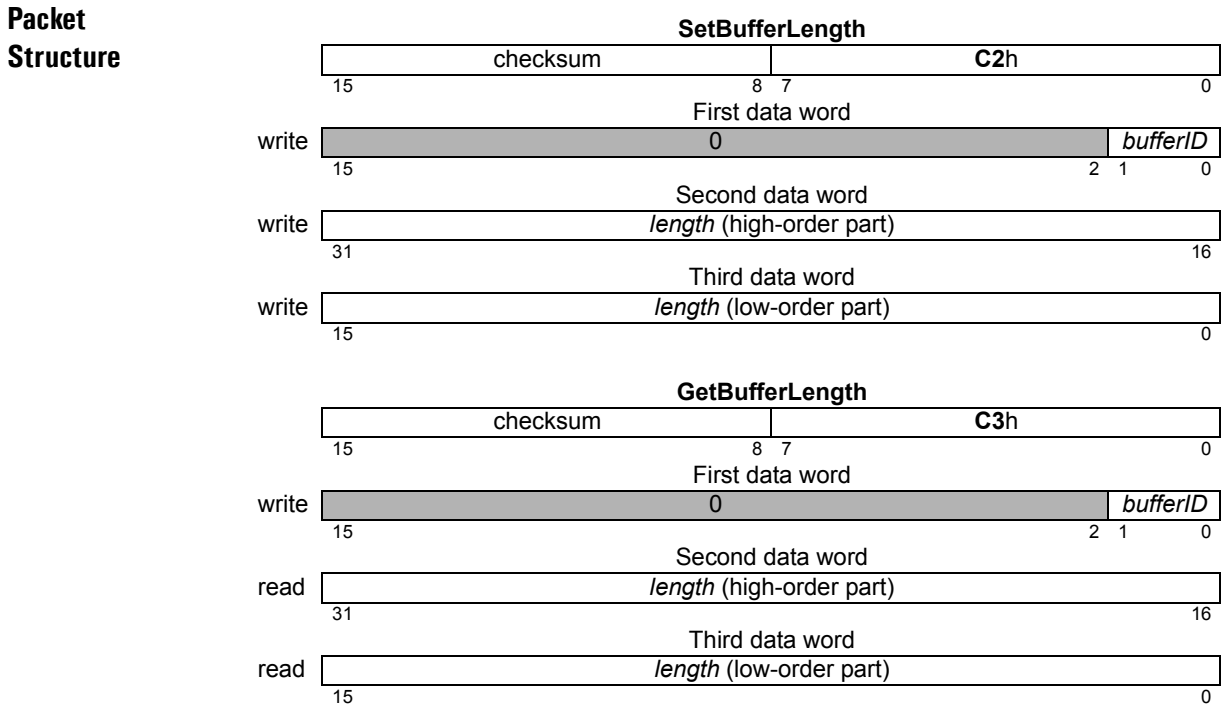
Syntax **SetBufferLength** *bufferID length*
GetBufferLength *bufferID*

Motor Types

DC Brush	Brushless DC	Microstepping
----------	--------------	---------------

Arguments

Name	Type	Range
<i>bufferID</i>	unsigned 16 bits	0 to 3
<i>length</i>	unsigned 32 bits	1 to $2^{30} - 1$



Description **SetBufferLength** sets the *length*, in numbers of 16-bit elements, of the buffer in the memory block identified by *bufferID*.

Note: The **SetBufferLength** command resets the buffers read and write indexes to 0.

The **GetBufferLength** command returns the *length* of the specified buffer.

Restrictions The buffer length plus the buffer start address cannot exceed the memory size of the product. See [Section 2.1, “Operational Specifications”](#) for more information. The memory indicated depends on the buffer start. It may be necessary to decrease buffer length before changing buffer start.

see **Set/GetBufferReadIndex** (p. 127), **Set/GetBufferStart** (p. 128)

Syntax **SetBufferReadIndex** *bufferID index*
GetBufferReadIndex *bufferID*

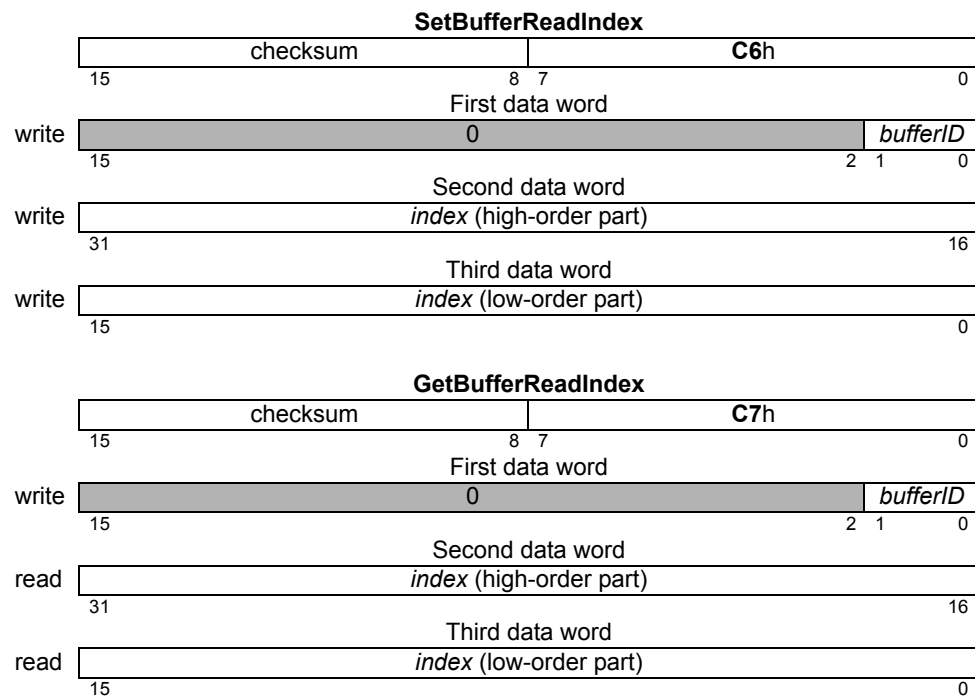
Motor Types

DC Brush	Brushless DC	Microstepping
----------	--------------	---------------

Arguments

Name	Type	Range	Scaling	Units
<i>bufferID</i>	unsigned 16 bits	0 to 3	unity	-
<i>index</i>	unsigned 32 bits	0 to buffer length - 1	unity	double words

Packet Structure



Description **SetBufferReadIndex** sets the address of the read *index* for the specified **bufferID**.

GetBufferReadIndex returns the current read *index* for the specified **bufferID**.

Restrictions If the read index is set to an address beyond the length of the buffer, the command will not be executed and will return error code 7, buffer bound exceeded.

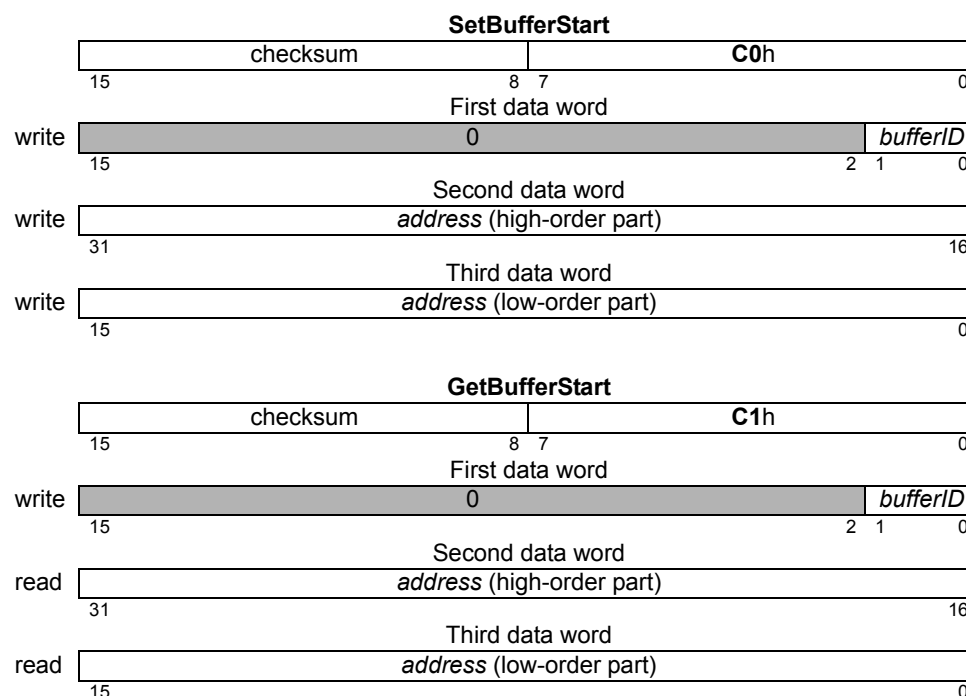
see **Set/GetBufferLength** (p. 126), **Set/GetBufferStart** (p. 128)

Syntax **SetBufferStart** *bufferID* *address*
GetBufferStart *bufferID*

Motor Types	DC Brush	Brushless DC	Microstepping
-------------	----------	--------------	---------------

Arguments	Name	Type	Range	Units
	<i>bufferID</i>	unsigned 16 bits	0 to 3	-
	<i>address</i>	unsigned 32 bits	0 to $2^{31} - 1$	double words

Packet Structure



Description **SetBufferStart** sets the starting *address* for the specified buffer, in words, of the buffer in the memory block identified by *bufferID*.

The starting address 0x2000 0000 is used to access NVRAM. 0x2200 0000 is used to access manufacturer NVRAM. When setting these addresses the buffer length must first be set to the length of the indicated NVRAM block or less.

Note: The **SetBufferStart** command resets the buffers read and write indexes to 0.

The **GetBufferStart** command returns the starting *address* for the specified *bufferID*.

Restrictions The buffer start address plus the buffer length cannot exceed the memory size of the product. See [Section 2.1, “Operational Specifications”](#) for more information.

see **Set/GetBufferLength** (p. 126), **Set/GetBufferReadIndex** (p. 127)

Syntax **SetCurrent** *option value*
GetCurrent *option*

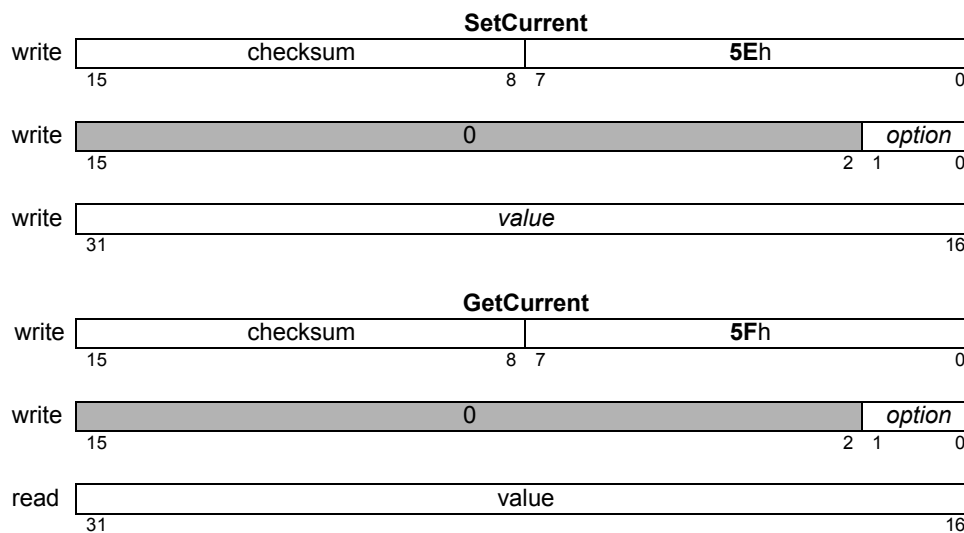
Motor Types

DC Brush	Brushless DC	Microstepping
----------	--------------	---------------

Arguments

Name	Instance	Encoding	Type	Range	Scaling	Units
<i>option</i>	<i>Holding Current</i>	0	16-bit unsigned	0 to 2 ¹⁵	100/2 ¹⁵	% max output
	Reserved	1				
	<i>Drive Current</i>	2				

Packet Structure



Description

The **SetCurrent** command is used to set the output level (current, or voltage if the current loop is off) used during pulse and direction motor operation. The Holding Current option is used to set the output level when the *AtRest* signal is asserted, and the Drive Current option to set the output level when the *AtRest* signal is not asserted.

The **GetCurrent** command is used to retrieve the output levels set by **SetCurrent**.

Restrictions

Holding Current should be less than or equal to Drive Current; if it is greater then the Drive Current value will be used at all times. These commands are not meaningful except in pulse and direction mode.

Syntax **SetCurrentControlMode** *axis mode*
GetCurrentControlMode

Syntax

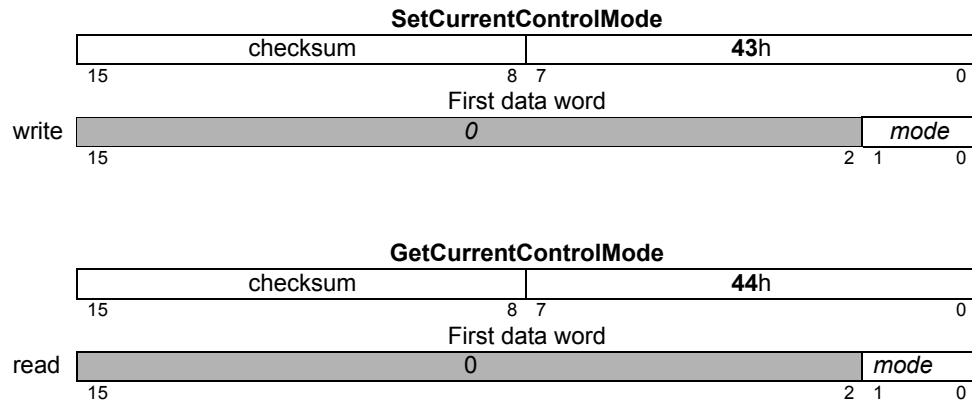
Motor Types

	Brushless DC	Microstepping
--	--------------	---------------

Arguments

Name	Instance	Encoding
<i>mode</i>	<i>Individual phase</i>	0
	<i>FOC</i>	1
	<i>Third leg floating</i>	2

Packet Structure



Description

SetCurrentControlMode configures Atlas to use either the *Individual phase* method, or the *FOC* method, or the *Third Leg Floating* method for current control.

GetCurrentControlMode gets the buffered current loop *mode*.

Restrictions

SetCurrentControlMode is a buffered command. It will not take effect until an update is done on the current loop by sorting the **Update** in a torque command. The value read by **GetCurrentControlMode** is the buffered setting.

The Third Leg Floating mode is valid only for 3 phase brushless DC motor control.

see

[GetFOCValue \(p. 106\)](#), [Get/SetFOC \(p. 141\)](#), [GetCurrentLoopValue \(p. 101\)](#), [Get/SetCurrentLoop \(p. 133\)](#)

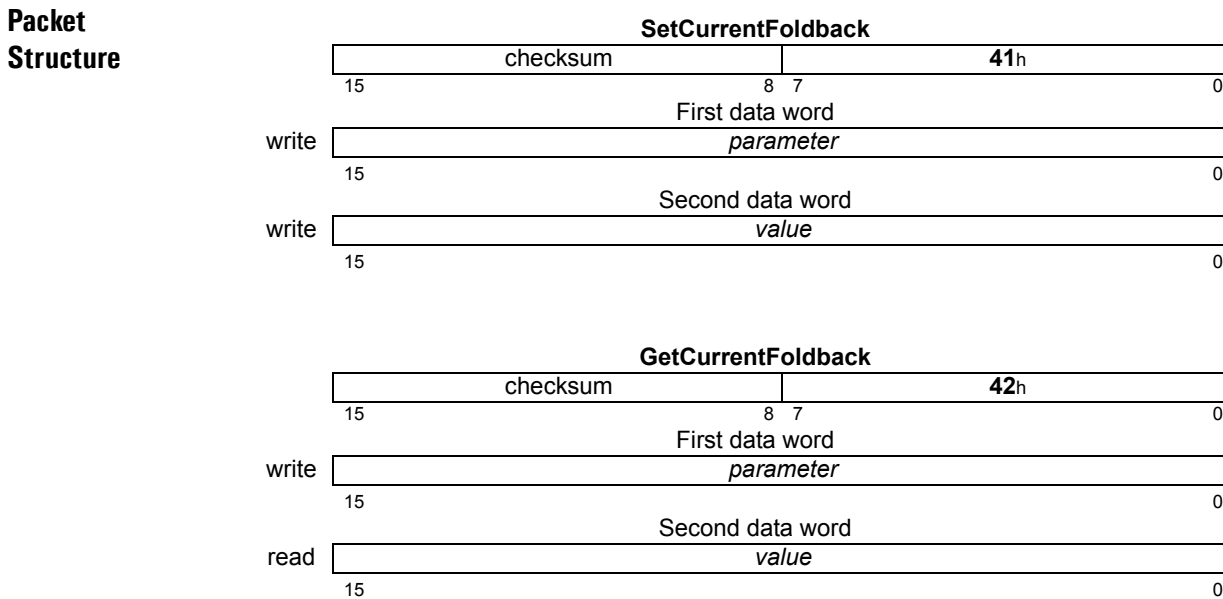
Syntax **SetCurrentFoldback** *parameter value*
GetCurrentFoldback *parameter*

Motor Types

DC Brush	Brushless DC	Microstepping
----------	--------------	---------------

Arguments

Name	Instance	Encoding
<i>parameter</i>	<i>Continuous Current Limit</i>	0
	<i>Energy Limit</i>	1
<i>value</i>	Type	Range/Scaling
	unsigned 16-bit	see below



Description **SetCurrentFoldback** is used to set various I²t foldback-related parameters. Two parameters can be set, the *Continuous Current Limit*, and the *Energy Limit*. The units of *Continuous Current Limit* are convertible to milliAmps, and represent percentage of maximum peak current, with scaling of 100/2¹⁵. The range is from 0% to the factory default continuous current limit setting.

The maximum current is the largest current that can be represented rather than the maximum that can be sourced or sensed. The maximum current can be calculated via the formula

$$Max = Current\ Scaling * 0x8000$$

For example for the high power Altas, using the scale factor from [Section 3.11, "Atlas Conversion Factors"](#), the maximum current = 1.526mA * 0x8000 = 50A.

The units of *Energy Limit* are convertible to Amp²Seconds, and represent the percentage of maximum energy, with scaling of 100/2¹⁵. The range is from 0% to the factory default energy limit setting.

Description (cont.)

The *Continuous Current Limit* is used by the current foldback algorithm. When the current output of the drive exceeds this setting, accumulation of the I^2 energy above this setting begins. Once the accumulated excess I^2 energy exceeds the value specified by the *Energy Limit* parameter, a current foldback condition exists and the commanded current will be limited to the specified *Continuous Current Limit*. When this occurs, the Current Foldback bit in the Event Status and Drive Status registers will be set. When the accumulated I^2 energy above the *Continuous Current Limit* drops to zero (0), the limit is removed, and the Current Foldback bit in the Drive Status register is cleared.

SetEventAction can be used to configure a change in operating mode when current foldback occurs. Doing this does not interfere with the basic operation of Current Foldback described above. If this is done, the Current Foldback bit in the Event Status register must be cleared prior to restoring the operating mode, regardless of whether the system is in current foldback or not.

When current control is not active, a current foldback event always causes a change to the disabled state (all loops and motor output are disabled), regardless of the programmed Event Action. Changing the operating mode from disabled requires clearing of the Current Foldback bit in Event Status.

GetCurrentFoldback gets the maximum continuous current setting.

Restrictions

Values of *Continuous Current Limit* greater than the factory setting for maximum continuous current are not allowed.

see

GetEventStatus (p. 105), **ResetEventStatus** (p. 124), **GetDriveStatus** (p. 104),
RestoreOperatingMode (p. 125), **GetActiveOperatingMode** (p. 97)

Syntax **SetCurrentLoop** *phase parameter value*
GetCurrentLoop *phase parameter*

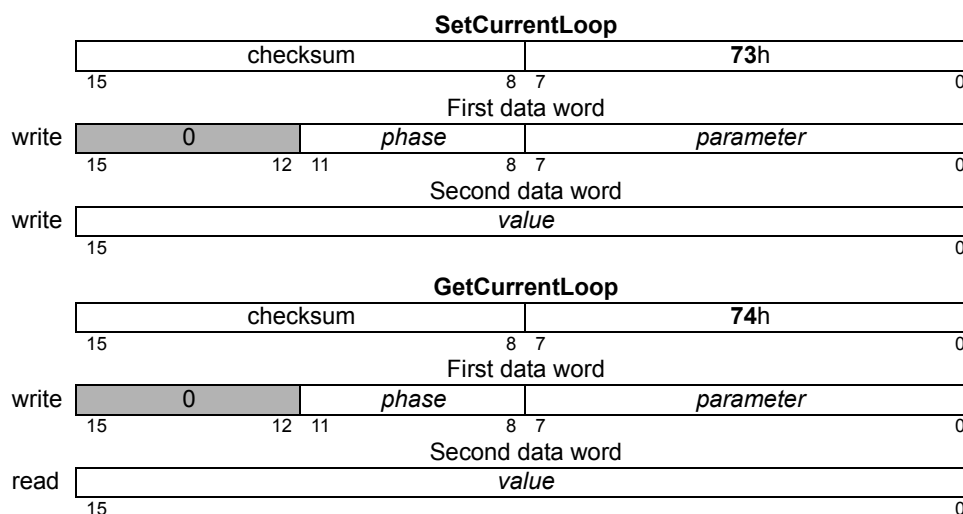
Motor Types

DC Brush	Brushless DC	Microstepping
----------	--------------	---------------

Arguments

Name	Instance	Encoding
<i>phase</i>	<i>Phase A</i>	0
	<i>Phase B</i>	1
	<i>Both (A and B)</i>	2
<i>parameter</i>	<i>Proportional Gain (KpCurrent)</i>	0
	<i>Integral Gain (KiCurrent)</i>	1
	<i>Integral Sum Limit (ILimitCurrent)</i>	2
<i>value</i>	Type unsigned 16 bits	Range/Scaling see below

Packet Structure



Description

Set/GetCurrentLoop is used to configure the operating parameters of the individual phase digital current loops. See [Section 4.5, “Current Loop”](#) for more information on how each *parameter* is used in the current loop processing. The *value* written/read is always an unsigned 16-bit value, with the parameter-specific scaling shown below:

Parameter	Range	Scaling	Units
<i>Proportional Gain (KpCurrent)</i>	0 to 2 ¹⁵ -1	1/64	gain
<i>Integral Gain (KiCurrent)</i>	0 to 2 ¹⁵ -1	1/256	gain/cycles
<i>Integral Sum Limit (ILimitCurrent)</i>	0 to 2 ¹⁵ -1	1/100	% current * cycles

A setting of 64 for *KpCurrent* corresponds to a gain of 1. That is, an error signal of 30% maximum current will cause the proportional contribution of the current loop output to be 30% of maximum output. Similarly, setting *KiCurrent* to 256 gives it a gain of 1, and the value of the integral sum would become the integral contribution to the output. The units of time for the integral sum are cycles.

Description (cont.)

ILimitCurrent is used to limit the contribution of the integral sum at the output. Its effect depends on the value of *KiCurrent*. Setting *ILimitCurrent* to 1000 when *KiCurrent* is 10 means that the maximum contribution to the output is $1000 \times 10 = 10,000$ out of $2^{15} - 1$ or approximately 30.5%

The *phase* argument can be used to set the operating parameters for the A and B loops independently. In most cases, the A and B loops will not require different operating parameters, so **SetCurrentLoop** can be used with a *phase* of 2, which sets both the A and B loops in a single API command. For **GetCurrentLoop**, a *phase* of 2 is not valid.

Restrictions

Set/GetCurrentLoop are buffered commands. All parameters set are buffered, and will not take effect until an update is done on the current loop by setting the update bit in a torque command. The values read by **GetCurrentLoop** are the buffered settings.

This command is only supported in products that include digital current control, and when the current control mode is individual phase.

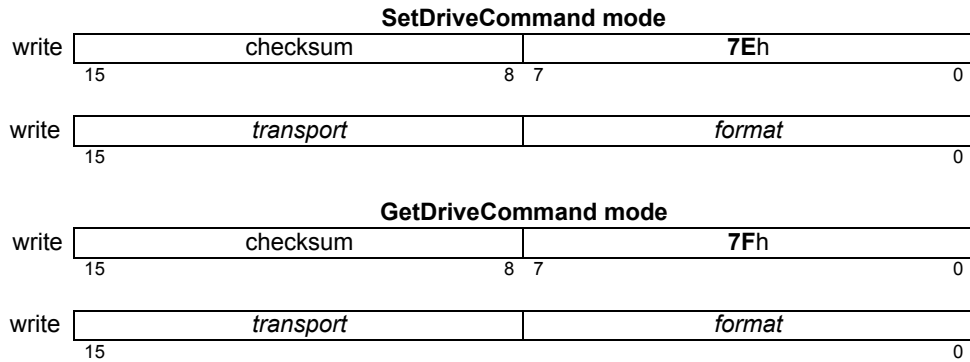
see

GetCurrentLoopValue (p. 101), **Set/GetCurrentControlMode** (p. 130)

Syntax **SetDriveCommandMode** *mode*
GetDriveCommandMode

Arguments	Name	Instance	Encoding
	<i>format</i>	<i>BLDC</i>	0
		<i>Step</i>	4
		<i>DC</i>	7
	transport	<i>SPI</i>	0
		<i>Pulse and Direction</i>	1

Packet Structure



Description

SetDriveCommandMode may be used to change the means of commanding Atlas motor torque. The transport field specifies the physical interface used for torque commands, either the default Serial Peripheral Interface, or Pulse and Direction. See [Section 4.9.1, “Pulse & Direction Signal Input Mode”](#) for more information on pulse and direction mode.

The format field specifies the layout of the torque command; in the Atlas only one format is supported for each motor type. See [Section 5.3, “Sending a Voltage or Torque Output Value”](#) for details.

The format for pulse and direction input must be Step.

Syntax **SetDriveFaultParameter** *parameter value*
GetDriveFaultParameter *parameter*

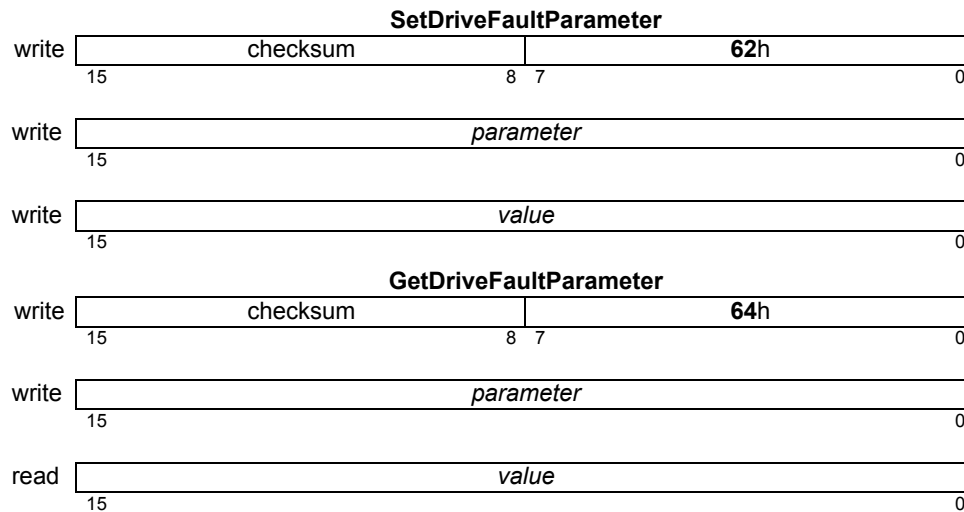
Motor Types

DC Brush	Brushless DC	Microstepping
----------	--------------	---------------

Arguments

Name	Instance	Encoding
<i>parameter</i>	<i>Overvoltage limit</i>	0
	<i>Undervoltage limit</i>	1
	<i>Recovery mode</i>	2
	<i>Watchdog limit</i>	3
	<i>Temperature limit</i>	4
	<i>Temperature hysteresis</i>	5
<i>value</i>	Type unsigned 16 bits	Range/Scaling see below

Packet Structure



Description

SetDriveFaultParameter is used to set various operating limits and parameters affecting drive fault handling. Several aspects of fault handling may be controlled:

- Bus voltage fault: *Overvoltage limit, Undervoltage limit*
- How fault and event recovery is handled: *Recovery mode*
- Communication watchdog: *Watchdog limit*
- Overtemperature fault: *Temperature limit, Temperature hysteresis*

The overvoltage and undervoltage limits are limits on bus voltage, and use the same scaling as the **GetBusVoltage** command. Whenever bus voltage is greater than the overvoltage limit an overvoltage drive fault will be signaled, if bus voltage is less than the undervoltage limit an undervoltage drive fault will be signaled. In either case a drive exception event will be raised and motor output disabled.

The watchdog limit specifies the number of current loop cycles that may elapse without receiving a valid torque channel command from a controlling processor. If this limit is exceeded then a watchdog timeout fault will be signaled and a drive exception event raised, disabling motor output. The specified value is scaled by 8. For example, to specify that a watchdog timeout should occur after 16 cycles then the value should be 2. A value of zero disables the watchdog timeout.

Description (cont.)

The temperature limit specifies a temperature above which an overtemperature drive fault is signaled and an overtemperature event raised, disabling motor output. After an overtemperature event the temperature must fall to the temperature limit minus the hysteresis value before the event and drive fault may be cleared.

Both the overtemperature limit and the temperature hysteresis use the same scaling as the **GetTemperature** command.

The recovery mode is an enumerated value, either commanded (0), or automatic (1). In the default commanded mode an explicit **ResetEventStatus** command is required after a disabling event to clear the responsible event bits. A **ClearDriveFaultStatus** command is not required, but is recommended to clear all drive fault status bits. In the automatic recovery mode Atlas will internally clear the event and drive fault status registers and attempt to automatically re-enable the commanded operating mode after a disabling event has occurred. Before automatic recovery will be attempted the controlling processor must acknowledge the fault by first driving the ~Enable line high, and then low. It is highly recommended that the **SetDriveFaultOutMask** command be used to trigger the *FaultOut* signal on any drive faults that will result in output being disabled, so that a controlling processor may recognize the fault.

In the commanded recovery mode the **SetOperatingMode** command will signal an error if attempting to enable output when any disabling conditions are present, and the commanded operating mode will not be changed. In the automatic recovery mode the **SetOperatingMode** command will not fail under these circumstances, but will change the command (but not the active) operating mode.

Restrictions

see

GetBusVoltage (p. 98), **GetTemperature** (p. 113), **ResetEventStatus** (p. 124),
ClearDriveFaultStatus (p. 94), **SetFaultOutMask** (p. 140), **SetOperatingMode** (p. 144)

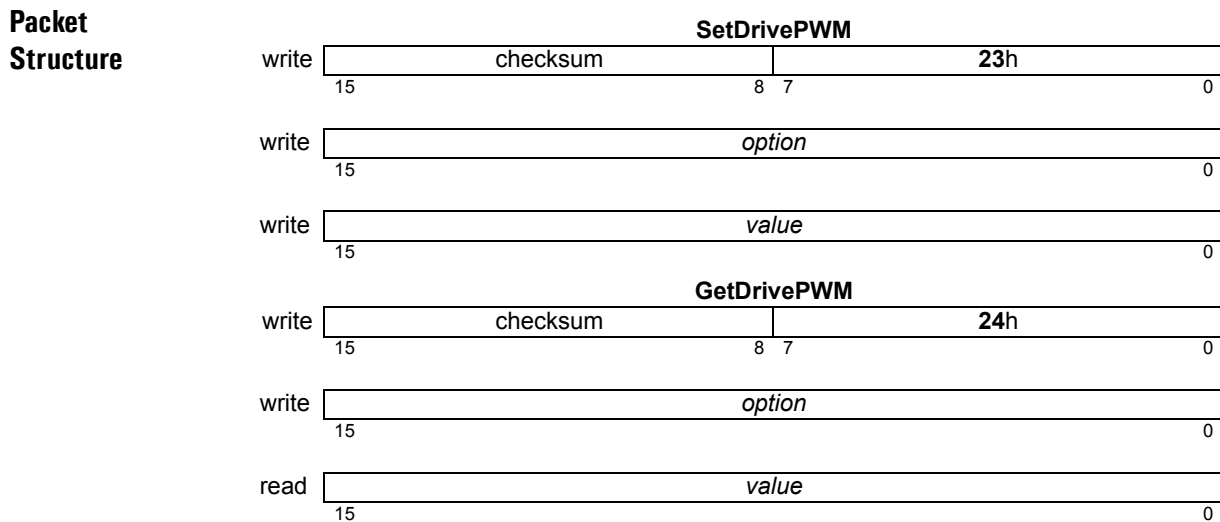
Syntax **SetDrivePWM** *option value*
GetDrivePWM *option*

Motor Types

DC Brush	Brushless DC	Microstepping
----------	--------------	---------------

Arguments

Name	Instance	Encoding		
<i>option</i>	<i>Limit</i>	0		
<i>value</i>	Type	Range	Scaling	Units
	16-bit unsigned	0 to 2 ¹⁴ -1	100/2 ¹⁴	% max output



Description The **SetDrivePWM** command is used to set the PWMLimit register, which limits the maximum PWM duty cycle, and hence the effective output voltage. The PWM limit is applied to each terminal individually, whether the current loop is enabled or not. The **GetDrivePWM** returns the current value of the PWMLimit register.

Restrictions

Syntax **SetEventAction** *event action*
GetEventAction *event*

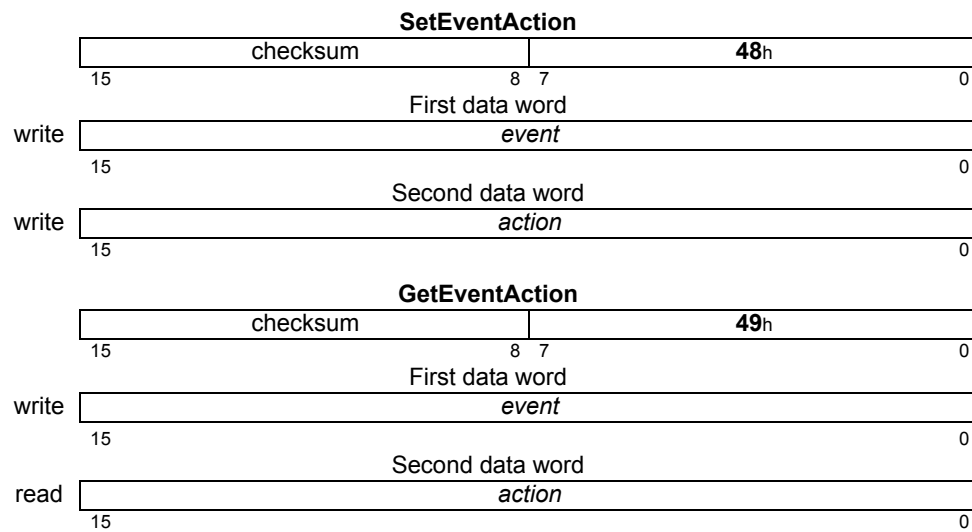
Motor Types

DC Brush	Brushless DC	Microstepping
----------	--------------	---------------

Arguments

Name	Instance	Encoding
<i>event</i>	<i>Immediate</i>	0
	— (Reserved)	1-3
	<i>Current Foldback</i>	4
<i>action</i>	<i>None</i>	0
	— (Reserved)	1-6
	<i>Disable Motor Output & Higher Modules</i>	7

Packet Structure



Description

SetEventAction configures what actions will be taken by Atlas in response to a given *event*. The *action* can be either to modify the operating mode by disabling wafer output, or to take no action.

When, through **SetEventAction**, one of the *events* causes an *action*, the event bit in the Event Status register must be cleared prior to returning to operation. For changes in operating mode, this means that the bit must be cleared prior to restoring the operating mode, either by **RestoreOperatingMode** or **SetOperatingMode**.

GetEventAction gets the action that is currently programmed for the given event with the exception of the *Immediate* event, which cannot be read back.

Restrictions

see **GetActiveOperatingMode** (p. 97), **RestoreOperatingMode** (p. 125), **Set/GetOperatingMode** (p. 144)

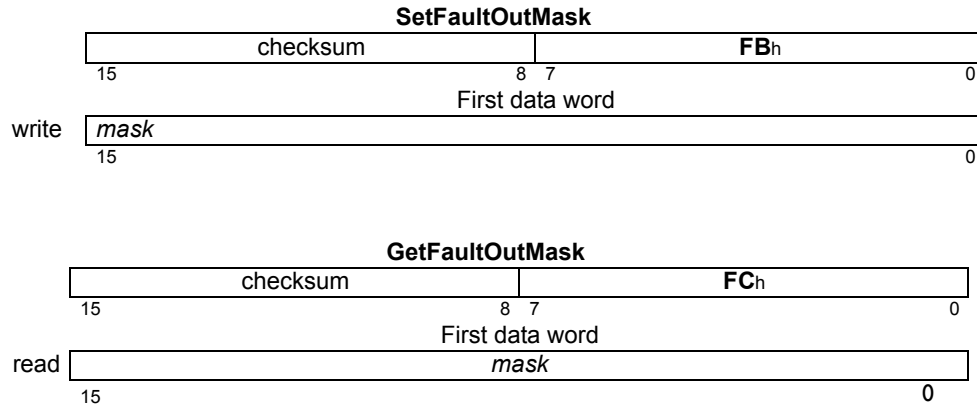
Syntax **SetFaultOutMask** *mask*
GetFaultOutMask

Motor Types	DC Brush	Brushless DC	Microstepping
--------------------	----------	--------------	---------------

Arguments

Name	Instance	Encoding
<i>mask</i>	see below	bitmask

Packet Structure



Description

SetFaultOutMask configures the mask on Drive Fault Status register bits that will be ORed together on the FaultOut pin. The FaultOut pin is active high, as are the bits in Drive Fault Status. Thus, FaultOut will go high when any of the enabled bits in Drive Fault Status are set (1). The *mask* parameter is used to determine what bits in the Drive Fault Status register can cause FaultOut high, as follows:

Name	Bit
Overcurrent	0
— (Reserved)	1-2
Operating Mode Mismatch	3
Watchdog Timeout	4
Overvoltage	5
Undervoltage	6
Disabled	7
Current Foldback	12
Overtemperature	13
SPI Torque Checksum Error	14

For example, a *mask* setting of hexadecimal 2060h will configure the FaultOut pin to go high upon Overtemperature Fault, or Bus Voltage Fault. The FaultOut pin stays high until all Fault enabled bits in Event Status are cleared. The default value for the FaultOut *mask* is 71h.

GetFaultOutMask gets the current *mask*.

Restrictions

see **GetDriveFaultStatus** (p. 102), **ClearDriveFaultStatus** (p. 94)

Syntax *SetFOC loop parameter value*
 GetFOC loop parameter

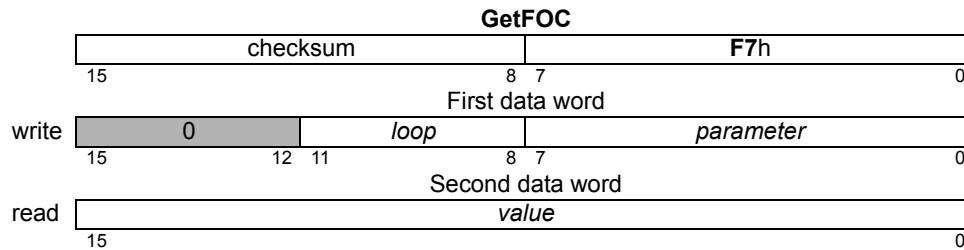
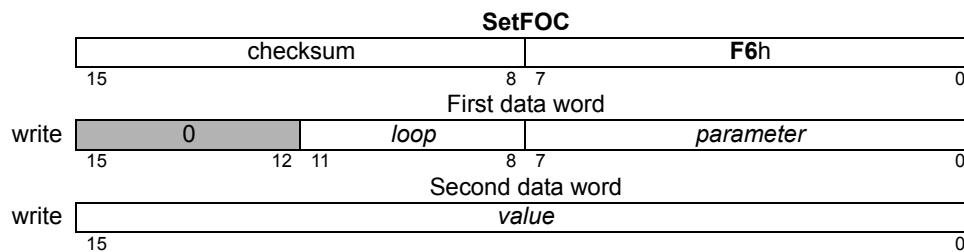
Motor Types

	Brushless DC	Microstepping
--	--------------	---------------

Arguments

Name	Instance	Encoding
<i>loop</i>	<i>Direct(d)</i>	0
	<i>Quadrature(q)</i>	1
	<i>Both(d and q)</i>	2
<i>parameter</i>	<i>Proportional Gain (KpDQ)</i>	0
	<i>Integral Gain (KiDQ)</i>	1
	<i>Integral Sum Limit (ILimitDQ)</i>	2
<i>value</i>	Type unsigned 16 bits	Range/Scaling see below

Packet Structure



Description

Set/GetFOC is used to configure the operating parameters of the FOC-Current control. See [Section 4.5, “Current Loop”](#) for more information on how each *parameter* is used in the current loop processing. The *value* written/read is always an unsigned 16-bit value, with the parameter-specific scaling shown below:

Parameter	Range	Scaling	Units
<i>Proportional Gain (KpDQ)</i>	0 to 2 ¹⁵ -1	1/64	gain
<i>Integral Gain (KiDQ)</i>	0 to 2 ¹⁵ -1	1/256	gain/cycles
<i>Integral Sum Limit (ILimitDQ)</i>	0 to 2 ¹⁵ -1	1/100	% current * cycles

A setting of 64 for *KpDQ* corresponds to a gain of 1. That is, an error signal of 30% maximum current will cause the proportional contribution of the current loop output to be 30% of maximum output.

Description (cont.)

Similarly, setting *KiDQ* to 256 gives it a gain of 1; the value of the integral sum would become the integral contribution to the output.

ILimitDQ is used to limit the contribution of the integral sum at the output. Its effect depends on the value of *KiDQ*. Setting *ILimitDQ* to 1000 when *KiDQ* is 10 means that the maximum contribution to the output is $1000 \times 10 = 10,000$ out of $2^{15} - 1$ or approximately 30.5%. The units of time for the integral sum are cycles.

The *loop* argument allows individual configuration of the parameters for the D and Q current loops. Alternately, a *loop* of 2 can be used with **SetFOC** to set the D and Q loops with a single API command. A *loop* of 2 is not valid for **GetFOC**.

Restrictions

Set/GetFOC are buffered commands. All parameters set are buffered, and will not take effect until an update is done on the current loop by sending a torque command with the **Update** bit set. The values read by **GetFOC** are the buffered settings.

These commands are only supported in products that include digital current control, and when the current control mode is set to FOC.

see

GetFOCValue (p. 106), **Set/GetCurrentControlMode** (p. 130)

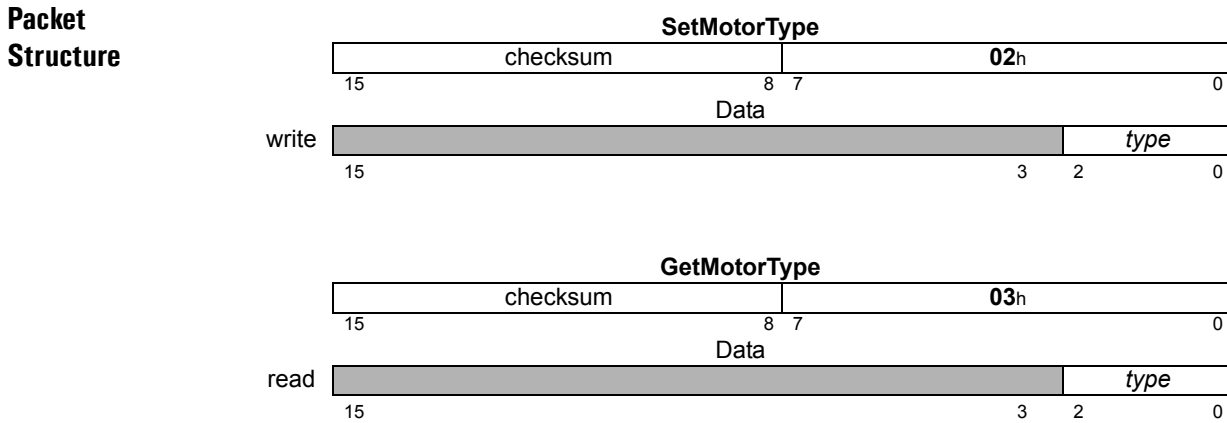
Syntax **SetMotorType** *axis type*
GetMotorType *axis*

Motor Types

DC Brush	Brushless DC	Microstepping
----------	--------------	---------------

Arguments

Name	Instance	Encoding
<i>type</i>	Brushless DC (3 phase)	0
	Microstepping (2 phase)	3
	DC Brush	7



Description **SetMotorType** sets type of motor being driven by Atlas. This operation sets the number of phases for commutation on the axis, as well as internally configuring the motion control IC for the motor type.

The following table describes each motor type, and the number of phases to be commutated.

Motor type	Commutation
Brushless DC (3 phase)	3 phase
Microstepping (2 phase)	2 phase
DC Brush	None

GetMotorType returns the configured motor type for the selected *axis*.

Restrictions The motor type should only be set once for each axis, either via NVRAM initialization during device startup, or immediately after reset using **SetMotorType**. Once it has been set, it should not be changed. Executing **SetMotorType** will reset many variables to their motor type specific default values.

Only multimotor Atlases accept the **SetMotorType** command. When using multimotor Atlas with Magellan separate **SetMotorType** commands must be sent, first to Atlas, then to Magellan.

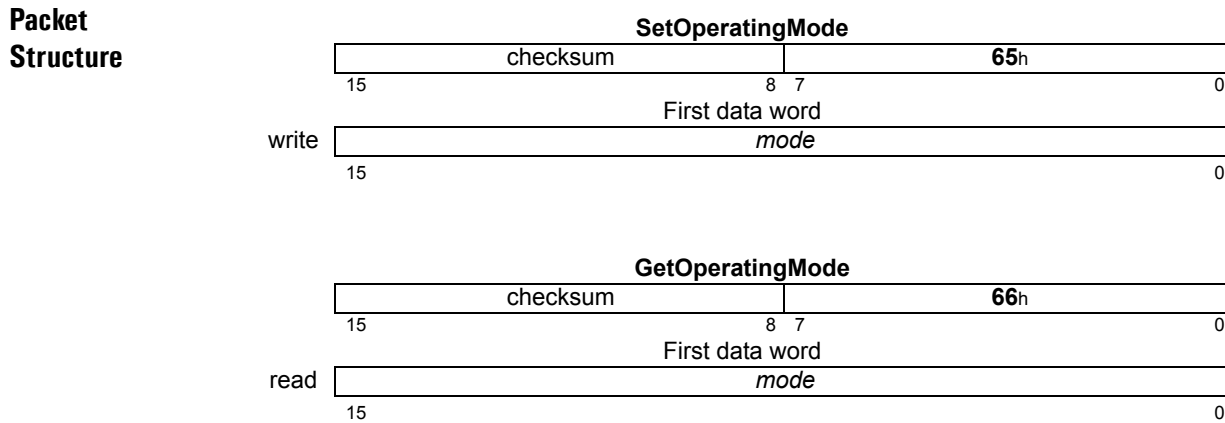
C-Motion API

```
PMDResult PMDSetMotorType (PMDAxisInterface axis_intf, PMDuint8 type)
PMDResult PMDGetMotorType (PMDAxisInterface axis_intf, PMDuint8* type)
```

Syntax **SetOperatingMode** *mode*
GetOperatingMode

Motor Types	DC Brush	Brushless DC	Microstepping
--------------------	----------	--------------	---------------

Arguments	Name	Instance	Encoding
	<i>mode</i>	Type unsigned 16-bit	Range/Scaling see below



Description **SetOperatingMode** configures the operating mode. Each bit of the *mode* configures whether a feature/loop is active or disabled, as follows:

Name	Bit	Description
—	0	Reserved
Motor Output Enabled	1	0: motor outputs disabled. 1: motor outputs enabled.
Current Control Enabled	2	0: current control bypassed. 1: current control active.
—	3-15	Reserved

When the current loop is disabled, it operates by passing its input directly to its output, and clearing all internal state variables (such as integrator sums, etc.).

For example, to configure Atlas for current loop operation the operating mode would be set to hexadecimal 0007h.

When Atlas is in the default event recovery mode **SetOperatingMode** will signal an error if an event that would disable motor output is present, and will not change any internal registers. The Invalid Operating Mode Restore error (10h) error will be signaled.

An alternative event recovery mode (automatic recovery mode) may be set by using the **SetDriveFaultParameter** command, in this mode **SetOperatingMode** will not signal an error if a disabling event is present, but will instead change only the static operating mode, and leave the active operating mode as it is. For this reason the event recovery mode should be set first in during user initialization from nonvolatile memory, and the operating mode set afterwards.

Description (cont.)

This command should be used to configure the static operating mode. The actual current operating mode may be changed in response to safety events, or user-programmable events. In this case, the present operating mode is available using **GetActiveOperatingMode**. **GetOperatingMode** will always return the static operating mode set using **SetOperatingMode**. Executing the **SetOperatingMode** command sets both the static operating mode and the active operating mode to the desired state.

GetOperatingMode gets the static operating mode.

Restrictions

see

GetActiveOperatingMode (p. 97), **RestoreOperatingMode** (p. 125),
GetDriveFaultStatus (p. 102)

Syntax **SetPhaseCounts** *counts*
GetPhaseCounts

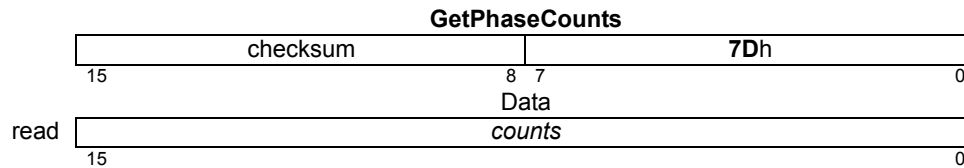
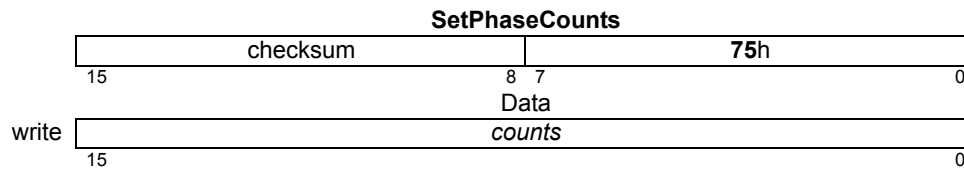
Motor Types



Arguments

Name	Instance	Encoding	Scaling	Units
<i>counts</i>	Type unsigned 16 bits	Range 1 to 1024	unity	microsteps

Packet Structure



Description

For axes configured for microstepping motor types, the number of microsteps per full step is set using the **SetPhaseCounts** command. The parameter used for this command represents the number of microsteps per electrical cycle (4 times the desired number of microsteps). For example, to set 64 microsteps per full step, the **SetPhaseCounts 256** command should be used. The maximum number of microsteps that can be generated per full step is 256, giving a maximum parameter value of 1024.

GetPhaseCounts returns the number of counts or microsteps per electrical cycle.

Restrictions

This command is useful only when driving microstepping motors in pulse and direction mode.

see

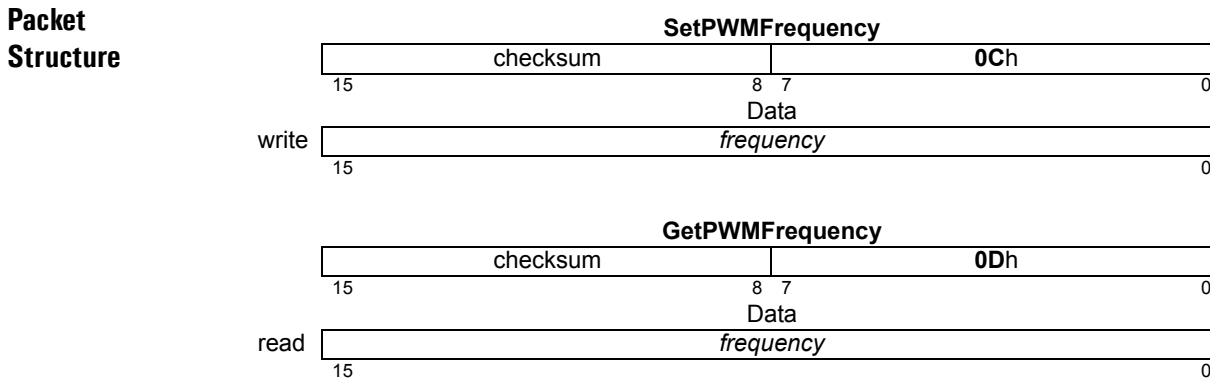
Syntax **SetPWMFrequency** *frequency*
GetPWMFrequency

Motor Types

DC Brush	Brushless DC	Microstepping
----------	--------------	---------------

Arguments

Name	Instance	Encoding	Range	Scaling	Units
<i>frequency</i>	Type	unsigned 16 bits	see below	125/32	Hz



Description **SetPWMFrequency** sets the PWM output frequency (in kHz). To select one of the supported frequencies, pass the value listed in the SetPWMFrequency Value column as the *frequency* argument to this command. If the frequency specified is not supported the argument will be sampled down.

Approximate Frequency	PWM bit Resolution	Actual Frequency	SetPWMFrequency Value
20 kHz	10	19.531 kHz	5,000
40 kHz	9	39.062 kHz	10,000
80 kHz	8	78.124 kHz	20,000
120 kHz	7	117.187 kHz	30,000

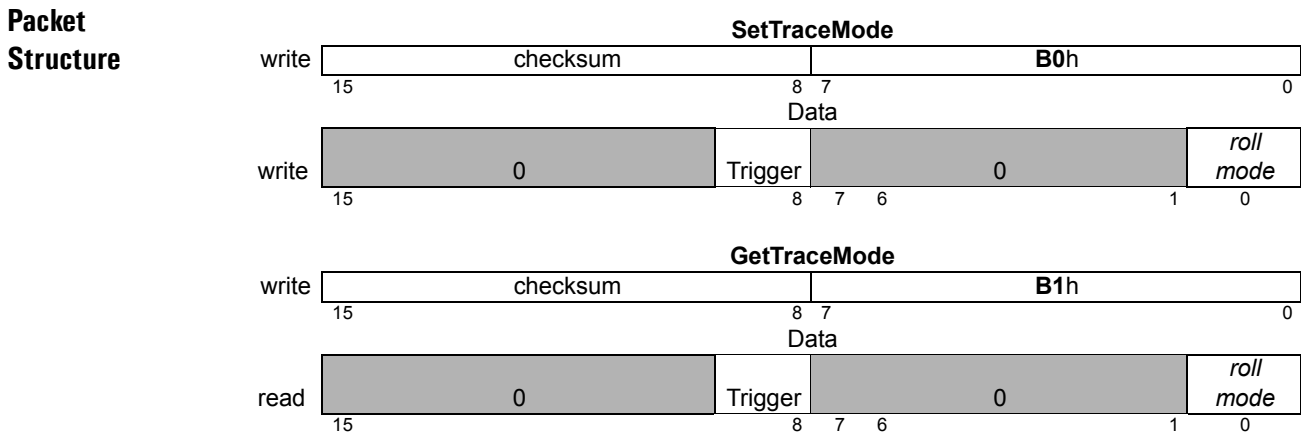
Restrictions The PWM frequency can be changed only when motor output is disabled (e.g., immediately after power-up or reset).

see

Syntax **SetTraceMode** *mode*
GetTraceMode

Motor Types	DC Brush	Brushless DC	Microstepping
-------------	----------	--------------	---------------

Arguments	Name	Instance	Encoding
	<i>roll mode</i>	<i>One Time</i>	0
		<i>Rolling Buffer</i>	1
	<i>Trigger</i>	<i>Internal Trigger</i>	0
		<i>External Trigger</i>	1



Description **SetTraceMode** sets the buffer usage for the next trace. In *One Time* mode, the trace continues until the trace buffer is filled, then stops. In *Rolling Buffer* mode, the trace continues from the beginning of the trace buffer after the end is reached. When in the rolling mode, values stored at the beginning of the trace buffer are lost if they are not read before being overwritten by the wrapped data.

The Roll Mode controls buffer usage. In *One Time* mode, the trace continues until the trace buffer is filled, then stops. In *Rolling Buffer* mode, the trace continues writing at the beginning of the buffer after the end is reached. When in the rolling mode, values stored at the beginning of the trace buffer are lost if they are not read before being overwritten by the wrapped data.

The Trigger bit controls the timing of trace samples. In *Internal Trigger* mode the trace timing is controlled by the TracePeriod register and Atlas internal clock; a trace capture is done every TracePeriod. In *External Trigger* mode the trace timing is controlled by the trace bit in the SPI torque command; exactly one trace capture is done immediately after a set trace bit is received, so that trace timing is controlled externally. Internal trigger mode gives lower jitter and a higher possible trace sampling rate, but external trigger mode allows approximate synchronization with an external clock.

GetTraceMode returns the value for the trace mode.

Restrictions

see **GetTraceStatus** (p. 116), **Set/GetTracePeriod** (p. 149), **Set/GetTraceStart** (p. 150), **Set/GetTraceStop** (p. 151),

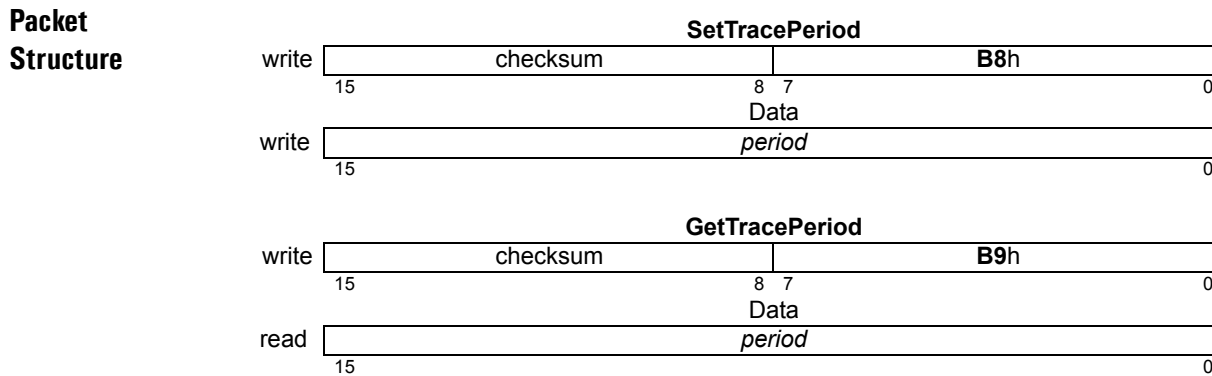
Syntax **SetTracePeriod** *period*
GetTracePeriod

Motor Types

DC Brush	Brushless DC	Microstepping
----------	--------------	---------------

Arguments

Name	Type	Range	Scaling	Units
<i>period</i>	unsigned 16 bits	1 to $2^{16}-1$	unity	cycles



Description **SetTracePeriod** sets the interval between contiguous trace captures. For example, if the trace period is set to one, trace data will be captured at the end of every chip cycle. If the trace period is set to two, trace data will be captured at the end of every second chip cycle, and so on.

GetTracePeriod returns the value for the trace period.

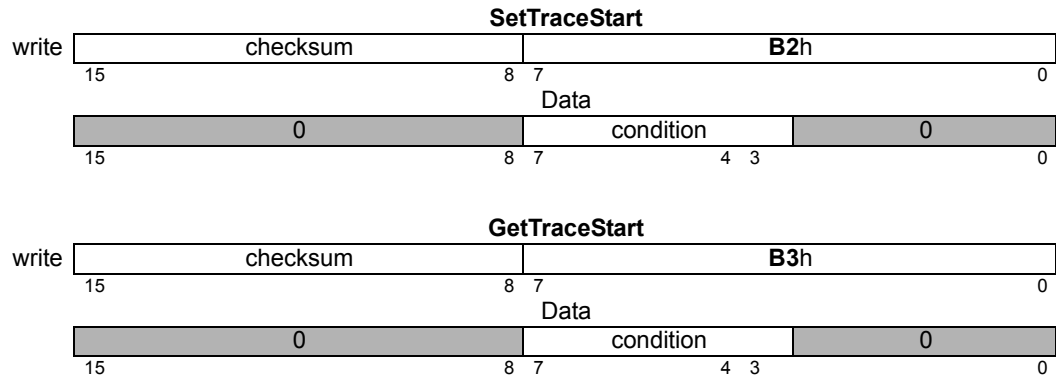
Restrictions The trace period is used only in Internal Trigger mode.

see **Set/Get Trace Mode** (p. 148)

Syntax **SetTraceStart** *condition*
GetTraceStart

Arguments	Name	Instance	Encoding
	<i>condition</i>	<i>Immediate</i> <i>SPI Command</i>	0 6

Packet Structure



Description

SetTraceStart sets the condition for starting a trace, and must be called before any tracing can be done. If the immediate condition is specified tracing will begin as soon as the command is processed. If the SPI Command condition is specified tracing will begin after an SPI command header is received with the trace bit set.

GetTraceStart returns the value of the trace-start trigger.

Once a trace is started the trace-start trigger is reset to zero.

The trace start condition is not checked if trace is already running.

When using External Trigger mode no trace samples will be captured unless the SPI command header trace bit is set.

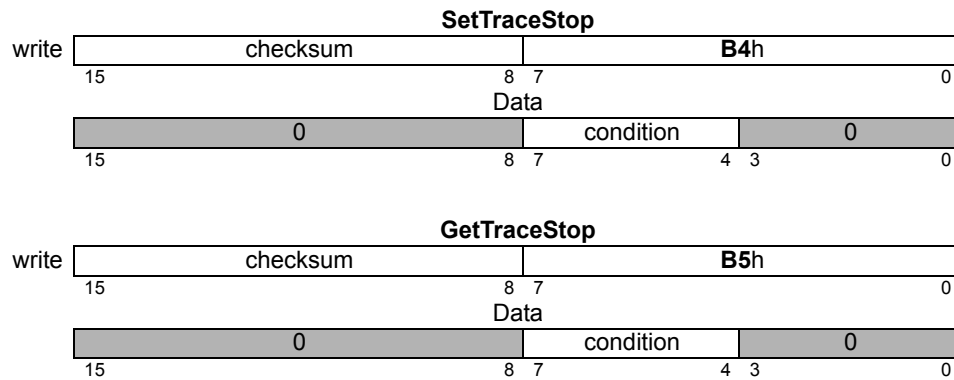
see

Set/GetBufferLength (p. 126), **Set/GetTracePeriod** (p. 149), **Set/GetTraceMode** (p. 148), **Set/GetTraceStop** (p. 151), **GetTraceCount** (p. 115), **GetTraceStatus** (p. 116)

Syntax **SetTraceStop** *condition*
GetTraceStop

Arguments	Name	Instance	Encoding
	<i>condition</i>	<i>Immediate</i> <i>SPI Command</i>	0 6

Packet Structure



Description

SetTraceStop sets the condition for starting a trace, and must be called to reset the internal trace state before starting again. If the immediate condition is specified tracing will stop as soon as the command is processed. If the SPI Command condition is specified tracing will stop after an SPI command header is received with the trace bit clear.

GetTraceStop returns the value of the trace-stop trigger.

Once a trace is stopped the trace-start trigger is reset to zero.

The trace stop condition is not checked if trace is not running.

SEE

Set/GetBufferLength (p. 126), **Set/GetTracePeriod** (p. 149), **Set/GetTraceMode** (p. 148), **Set/GetTraceStart** (p. 150), **GetTraceCount** (p. 115), **GetTraceStatus** (p. 116)

Syntax **SetTraceVariable** *variableNumber variableID*
GetTraceVariable *variableNumber*

Motor Types

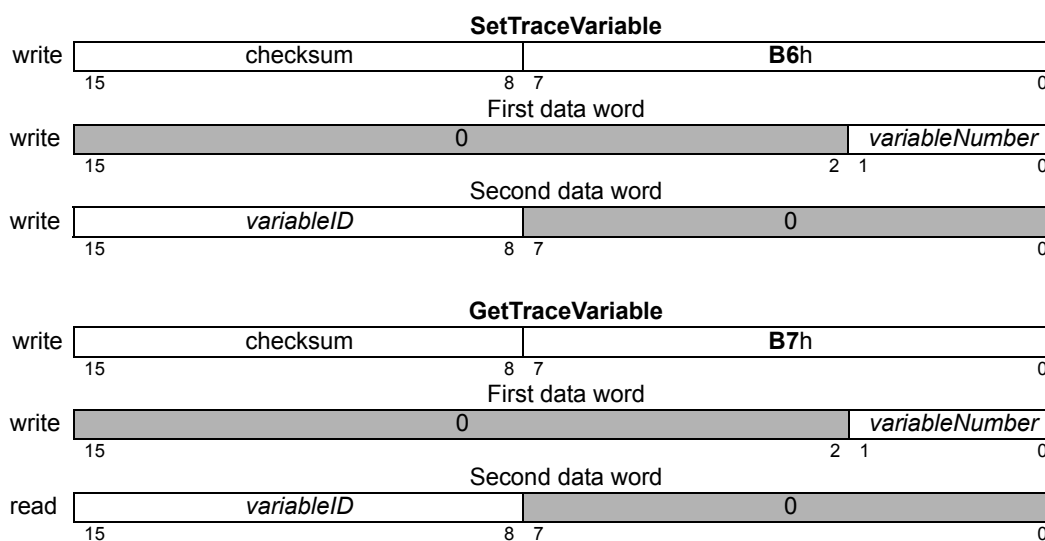
DC Brush	Brushless DC	Microstepping
----------	--------------	---------------

Arguments

Name	Instance	Encoding
<i>variableNumber</i>	<i>Variable1</i>	0
	<i>Variable2</i>	1
	<i>Variable3</i>	2
	<i>Variable4</i>	3
<i>variableID</i>		
<i>Status Registers</i>		
	<i>Event Status</i>	12
	<i>Signal Status</i>	14
	<i>Drive Status</i>	56
	<i>Drive Fault Status</i>	79
	<i>SPI Status</i>	80
<i>Commutation/Phasing</i>		
	<i>Active Motor Command</i>	7
	<i>Phase A Command</i>	17
	<i>Phase B Command</i>	18
	<i>Phase C Command</i>	19
	<i>Phase Angle Scaled</i>	29
<i>Current Loops</i>		
	<i>Phase A Reference</i>	66
	<i>Phase B Reference</i>	67
	<i>Phase A Error</i>	30
	<i>Phase B Error</i>	35
	<i>Phase A Actual Current</i>	31
	<i>Phase B Actual Current</i>	36
	<i>Phase A Integral Contribution</i>	33
	<i>Phase B Integral Contribution</i>	38
	<i>Current Loop A Output</i>	34
	<i>Current Loop B Output</i>	39
<i>Field Oriented Control</i>		
	<i>D Reference</i>	40
	<i>Q Reference</i>	46
	<i>D Error</i>	41
	<i>Q Error</i>	47
	<i>D Feedback</i>	42
	<i>Q Feedback</i>	48
	<i>D Integrator Contribution</i>	44
	<i>Q Integrator Contribution</i>	50
	<i>D Output</i>	45
	<i>Q Output</i>	51
	<i>FOC Phase A</i>	52
	<i>FOC Phase B</i>	53
	<i>Alpha Output</i>	73
	<i>Beta Output</i>	74
	<i>Phase A Actual Current</i>	31
	<i>Phase B Actual Current</i>	36

Arguments (cont.)	<i>Motor Output</i>	<i>Bus Voltage</i>	54
		<i>Temperature</i>	55
		<i>I2t Energy</i>	68
		<i>Terminal A Output</i>	75
		<i>Terminal B Output</i>	76
		<i>Terminal C Output</i>	77
		<i>Leg Current A</i>	69
		<i>Leg Current B</i>	70
		<i>Leg Current C</i>	71
		<i>Leg Current D</i>	72
		<i>Clip Factor</i>	78
	<i>Miscellaneous</i>	<i>None (disable variable)</i>	0
		<i>Atlas Time</i>	8

Packet Structure



Description

SetTraceVariable assigns the given variable to the specified *variableNumber* location in the trace buffer. Up to four variables may be traced at one time.

All variable assignments must be contiguous starting with *variableNumber* = 0.

GetTraceVariable returns the variable of the specified *variableNumber*.

Example: To set up a three variable trace capturing the motor command, phase angle, and phase A current, the following commands would be used:

```
SetTraceVariable 0 7
SetTraceVariable 1 29
SetTraceVariable 2 31
SetTraceVariable 3 0
```

Restrictions

When retrieving the traced variables from the list above the scaling may depend on the type of Atlas being used. See [Section 3.11.1, "Atlas Settings Defaults and Limits"](#) for scaling information. See also [Figure 4-6](#), [Figure 4-7](#) and [Figure 4-8](#) for current loop, field oriented control, and motor output related variable scaling.

see [SetTracePeriod \(p. 149\)](#)

Syntax Update

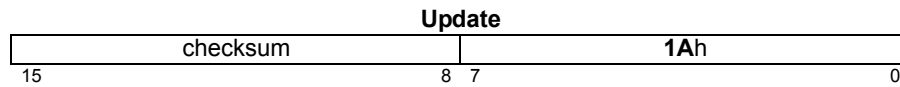
Motor Types

DC Brush	Brushless DC	Microstepping
----------	--------------	---------------

Arguments

None

Packet Structure



Description

The **Update** command should only be called from the nonvolatile initialization memory, when using SPI communication the update bit in the torque command should be set to command an update.

Restrictions

Non-volatile initialization only.

see

A. Atlas Developer Kits

A

In This Appendix

- ▶ Overview
- ▶ Developer Kit P/Ns
- ▶ Installation and Getting Started
- ▶ Atlas DK Board Reference Information
- ▶ L-Bracket

A.1 Overview

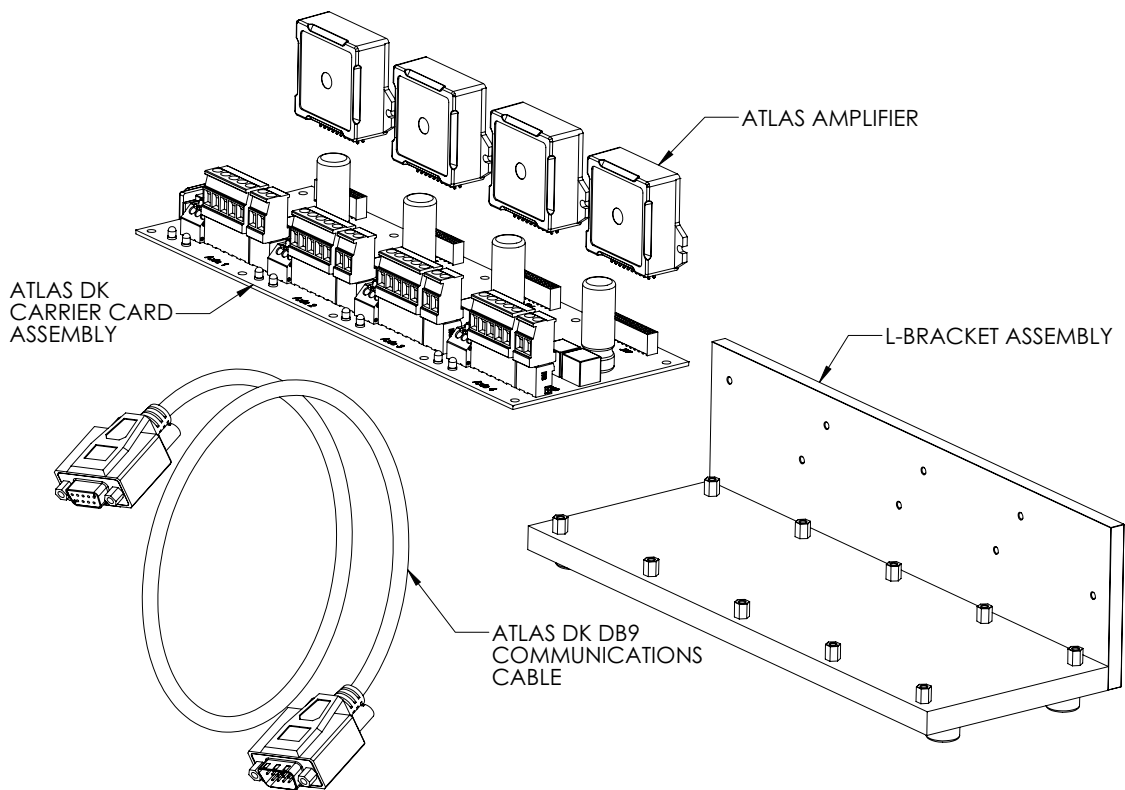


Figure A-1:
Developer Kit
Components
(four-axis
version shown)

To simplify development with Atlas Amplifiers several developer kits (DK) are available.

The major elements of the DK are:

- Atlas DK board (comes in 1 or 4 axis version)
- Atlas DK DB9 communications cable

- Base plate and, if vertical Atlas DKs are ordered, vertical plate forming an L-bracket for heat sink attachment with associated mounting hardware (comes in 1 or 4 axis version).
- Compact to ultra-compact size Atlas converter cards.
- For horizontal DKs heat sinks with adhesive thermal pads
- Various other assembly components such as screws and allen keys depending on the Atlas DK type ordered

A.2 Developer Kit P/Ns

There are four available Atlas developer kits, reflecting a choice of one or four axis board, and a choice of two different Atlas mounting configurations; vertical and horizontal. The following table shows this:

Developer Kit P/N	# of Axes	Atlas Type
MDK1LI0000V	1	Vertical
MDK1LI0000H	1	Horizontal
MDK4LI0000V	4	Vertical
MDK4LI0000H	4	Horizontal

[Figure A-1](#) shows an overview of an Atlas Developer Kit assembly. The particular assembly shown is for a four axis vertical DK, but the overall elements are similar for one axis developer kits. Horizontal developer kits are also similar except that there is no vertical plate included. Note that the Atlas units shown in the figure are not included with the developer kit and must be purchased separately.



Atlas Developer Kits consists of the mounting and connection hardware only. To create a complete functioning setup one or more Atlas Amplifier units must be ordered separately and then installed onto the DK hardware.

A.3 Installation and Getting Started

In these instructions it is assumed that you have purchased one of the Magellan Developer Kits, which come with the Pro-Motion exerciser and tuning software. If you have not purchased a Magellan DK then you will still find these instructions useful, however you will use the detailed connections detailed in [Section A.4, “Atlas DK Board Reference Information.”](#) to connect your system and begin operation.

A.3.1 Developer Kit Assembly

The first step in getting started with your Atlas Developer Kit is mechanically assembling the hardware that comes with the DK to the Atlas units ordered. This will be described in detail in the next several sections.



It is good practice to wear a grounding strap while handling both the machine controller board and the Atlas units. In addition it is recommended that assembly be undertaken on a surface that dissipates electrostatic charge.

A.3.2 Vertical Atlas Developer Kit Assembly

A.3.2.1 Thermal Pad Attachment

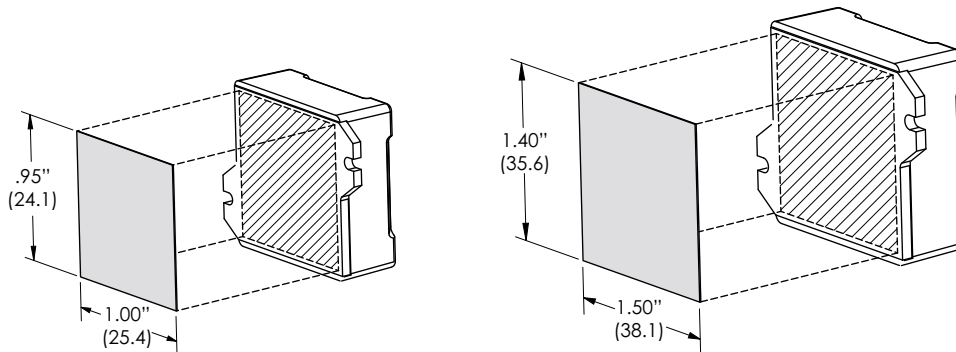


Figure A-2:
Thermal
Transfer
Material
Attachment

It is very important to have good thermal contact between the Atlas units and the L-bracket heat sink. Therefore the first step will be to attach thermal pads to each vertical Atlas unit to be installed. Horizontal Atlas units do not use a vertical plate for heat sinking and therefore are described in a different section [Section A.3.3, “Horizontal Atlas Developer Kit Assembly.”](#)

Locate the thermal pads of matching size. Two sets of thermal pads are included in your developer kit reflecting the two available Atlas package sizes - compact or ultra-compact. As shown in the figure above compact units use the larger thermal pad and ultra compact units use the smaller thermal pad.

Next, carefully remove the thin plastic protective sheets on either side of each pre-cut thermal pad and mount onto the Atlas unit, carefully aligning the pads with the Atlas’ metallic backing, and applying finger pressure to adhere the pads to the metal. Note that the dimensions of each pad are not exactly square, so it is best to align the pads in the orientation shown in the diagram. Once pressed in place the pads should stay in place, but if required the pads can be removed and remounted.

A.3.2.2 Installing Atlas Units into the Board

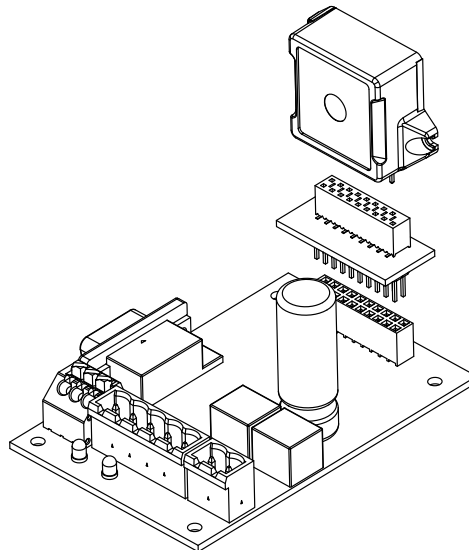


Figure A-3:
Vertical Atlas
Installation into
DK Board

To install vertical Atlas units into the Atlas DK board sockets, confirm that the Atlas is oriented correctly, with the metal heat sink surface facing toward the vertical L-bracket plate. Carefully align the Atlas pins to the socket and press firmly down until the Atlas is fully seated in the socket.

With the four axis DK board, if using Atlas units for specific motor types, the motor type of the Atlas should conform to the motor type that will be utilized for that axis. For example if your system has a DC brush motor at axis #1, and a step motor connected at axis #2, you should install a DC brush motor Atlas in the axis #1 socket, and a step motor Atlas in the axis #2 socket.



Extreme care should be taken when installing the Atlas into its socket. Failure to orient the Atlas correctly, or mis-alignment of pins may result in damage to the Atlas units.

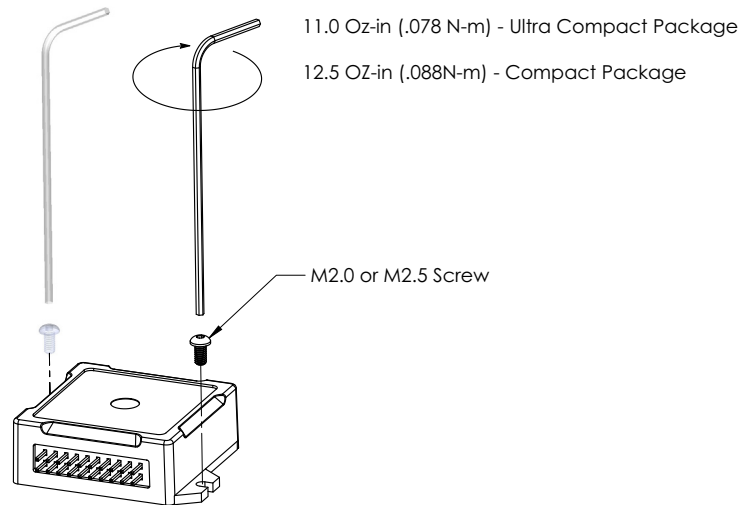
Note that compact Atlas units which are the larger of the two sizes, plug directly into the DK board and do not require the converter card shown in [Figure A-3](#). The smaller ultra compact units, which are the package sizes for the low and medium power Atlas units, require the installation of a conversion card before installation into the Atlas DK.

For any ultra compact Atlas units to be installed onto the board, first mate each ultra-compact Atlas unit to a converter card. Before connecting the Atlas to the converter card, care should be taken to insure that they are oriented correctly, and that all pins align correctly without overhang. Once the ultra-compact Atlas has been properly mated to the converter card, the converter/Atlas assembly can then be inserted into the DK board.

Note that for the four axis Atlas DK board the socket installation location of the compact and ultra compact Atlas units is interchangeable. There is no restriction on the location of compact Atlas units versus the location of ultra compact Atlas units.

A.3.2.3 Attaching Atlas Units to the Vertical Plate

Figure A-4:
Attaching Atlas
Units to
Vertical Plate



Finally, vertical Atlas units should be fastened to the vertical plate. Two screws are used to attach each Atlas and [Figure A-4](#) shows how the screws connect to the vertical plate. For compact Atlas units (high power) the M2.5 screws are used, and for ultra compact Atlas units (low and medium power) M2 screws are used.

Note that the mounting tap hole locations in the vertical plate are different for the compact and ultra compact Atlas units. Use only modest force in attached Atlas units to the vertical plate. [Figure A-4](#) shows this, also providing the torque limit specification for both Atlas types.

Congratulations! You have now completed mechanical assembly of the L-brackets to the Atlas DK board and Atlas units.

A.3.3 Horizontal Atlas Developer Kit Assembly

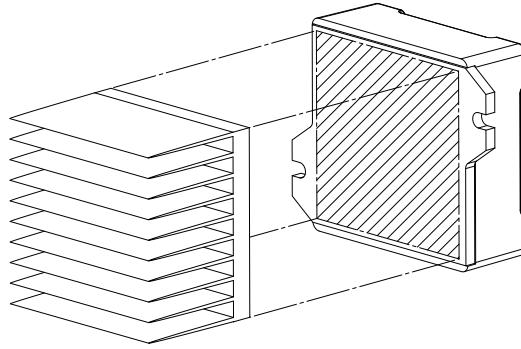


Figure A-5:
Horizontal
Atlas Units and
Heat Sink

Horizontal Atlas units and their corresponding Atlas DK boards do not utilize a vertical plate for heat sinking. Rather, as shown in [Figure A-5](#), they use a special finned heat sink included with the DK materials. Before installing the horizontal Atlas units into the Atlas DK board these heat sinks must be attached to each Atlas unit.

To accomplish this, locate the heat sinks of matching size. Two sets of heat sinks are included in your developer kit reflecting the two available Atlas package sizes - compact or ultra-compact. Next, carefully remove the thin plastic protective sheet on the flat side of the heat sink to be attached. Finally, mount the heat sink onto the Atlas unit, carefully aligning the adhesive surface with the Atlas unit's metallic backing, and applying finger pressure to adhere.

Note that the Atlas metal plate dimensions are slightly larger than the dimensions of the heat sink. The exact location of the heat sink relative to the Atlas metal plate is not critical, but it is best to center the heat sink on the Atlas metal plate as much as possible.

A.3.3.1 Installing Atlas Units into the Board

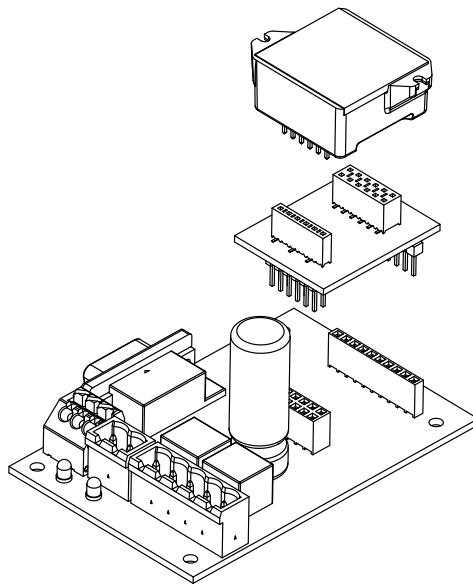


Figure A-6:
Horizontal
Atlas
Installation into
DK Board

As shown in [Figure A-6](#) horizontal Atlas units are inserted into the horizontal DK boards. The footprint of the horizontal units is quite different than the vertical Atlas units, but otherwise the procedure is similar and is described in [Section A.3.2.2, "Installing Atlas Units into the Board."](#)

Similarly for ultra compact horizontal Atlas units, you must install the converter card before installing the Atlas unit(s) into the DK board, however in this case the horizontal converted card, included with horizontal Atlas DKs, is used rather than the vertical converter card.

Once the Atlas units are installed into the DK board assembly of the horizontal DK is complete.

A.3.4 SPI Bus Connection

Now that your developer kit is assembled you are ready to connect it to your PC and motion system hardware.

You should plug in the provided 12" DB9 cable at the DB9 connection of the DK board. Once you have plugged in the DB9 cable, you can skip forward to [Section A.3.5, "Motor Connections,"](#) and continue from there.

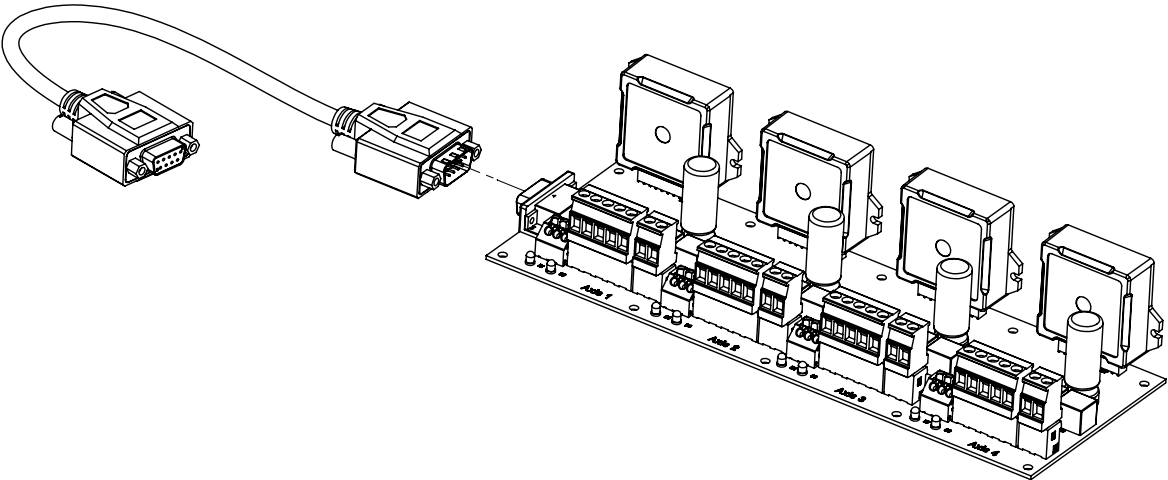


The DB9 connections used with the Atlas DK are not compatible with standard RS232 serial ports. Do not attempt to plug this connector directly into your PC.



The SPI bus is not designed to operate external modules by cable connection, and therefore in production applications it is recommended that Atlas units be located on the same printed circuit card. Regardless of where Atlas is located, it is the responsibility of the user to ensure that SPI signals are noise free and within Atlas unit's timing specifications.

Figure A-7:
Connecting
DB9 Cable to
DK Board



A.3.5 Motor Connections

Refer to [Figure A-8](#) for detailed information on connector placement. For each Atlas, connect the motor using the chart below and the correct axis-specific 6-terminal jack screw plug on the DK board, either J2, J5, J8, or J11 for axis 1, 2, 3, or 4 respectively. Use copper wire gauge 14AWG or larger to ensure that all current output requirements can be met.

If you are using a one axis Atlas DK for motor connections and all other connections described in subsequent sections, refer to the description for axis numbers.

Motor Type	Use Motor Connections	Jackscrew Plug Labels
Brushless DC	Motor A, Motor B, Motor C	Mtr A, Mtr B, Mtr C

DC Brush	Motor A, Motor B	Mtr A, Mtr B
Step Motor	phase A: Motor A, Motor B phase B: Motor C, Motor D	Mtr A, Mtr B, Mtr C, Mtr D

A.3.6 Power Connections

For each Atlas, connect the bus supply voltage (HV) and the associated return ground signal at the correct axis-specific jack screw plug, either J1, J4, J7, or J10 for axis 1, 2, 3, or 4 respectively. Once again, utilize AWG 14 or larger to ensure that full current demand can be met while operating the unit. The power signals are labeled +HV and GND.

For most installations you will use a single, common power supply to power all Atlas units. However this is not required. If desired, you can operate different Atlas units at different voltages by connecting to different DC supplies.

While connecting power signals make sure that the power supply is off.



A.3.7 Enable Signal Connection

You must provide an 'active' enable signal to allow Atlas to operate. There are a few options to accomplish this depending on how you plan to operate your system. A simple approach is to use a short piece of AWG 20 or larger wire to connect the GND connection on the spring clamp Phoenix connector to the Enable input (labeled ~Enab), either J3, J6, J9, or J12 for axis 1, 2, 3, or 4 respectively.

For safety reasons, you may prefer to wire the enable input into a separate switch or E-stop button. Regardless of how it is accomplished, the enable signal must be driven active (low) for Atlas to operate.

A.3.8 Installing and Connecting to the Magellan DK Card

To set up and install the Magellan DK card refer to the Magellan Developer Kit product that you are using. This manual will help you select jumper settings and make connections to the motor's encoders and other connections. Connect the Atlas DK's SPI bus cable to the appropriate Magellan DK card connector.

Once all connections have been made you should power up the PC (but not the Atlas units) and follow the manual's direction for installing Pro-Motion software. You can run Pro-Motion, check for encoder feedback, etc. . . . but for axes that utilize Atlas amplifiers, motor output will not yet be operational.

A.3.9 Powering Up the Atlas Units

Once all connections are made and Pro-Motion is installed and running you are ready to provide power to the Atlas units.

Upon doing so verify that there is no motor movement, all power LEDs are lit, and none of the fault out LED indicators are lit. If any of these conditions are not true, power the Atlas units down and recheck connections.

Once a normal power-up is achieved the Atlas units are ready for operation. You may now use Pro-Motion's Axis Wizard to install and operate your motors, or perform direct manual operations using Pro-Motion's various control menus.

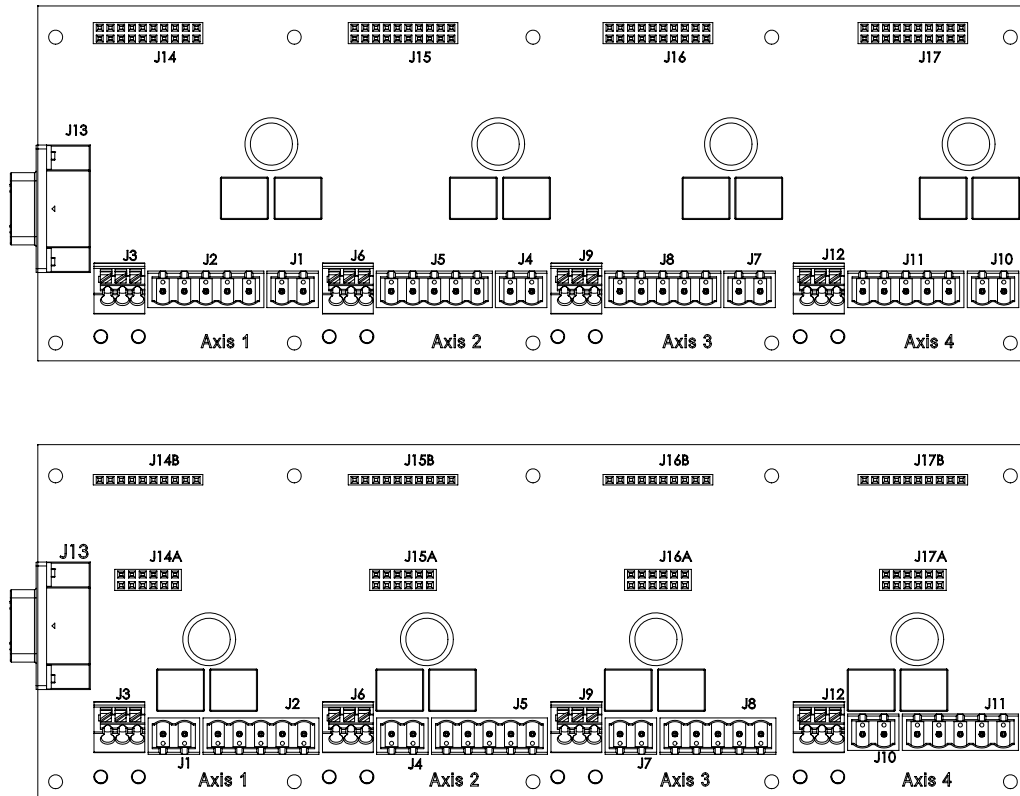
Congratulations! You have successfully installed the Atlas DK.

A.4 Atlas DK Board Reference Information

The following sections provides detailed information on the electrical characteristics of the Atlas DK boards.

There are four different designs of DK board, representing vertical and horizontal Atlas mount options in both a one axis and four axis configuration.

Figure A-8:
Component Placement of Vertical and Horizontal DK Boards (four-axis version shown)



The following descriptions apply for the 4-axis DK boards, however the one-axis are similar, only missing axes 2-4.

A.4.1 J2, J5, J8, and J11 Motor Connectors

J2, J5, J8, and J11 provide jack screw-style connections to the Atlas motor signals.

J2, J5, J8 or J11 Connector		
DK Board Label	Name	Description
Mtr D	Motor D	D Motor connection
Mtr C	Motor C	C Motor connection
Mtr B	Motor B	B Motor connection
Mtr A	Motor A	A Motor connection.
GND	Mtr_Gnd	Ground return for Motor and HV

A.4.2 J1, J4, J7, J10 Power Connectors

J1, J4, J7, and J10 provide jack screw-style connections to supply the Atlas power signals.

J1, J4, J7 and J10 Connectors		
DK Board Label	Name	Description
HV	HV	Motor Supply Voltage
Pwr_Gnd	Pwr_Gnd	Ground return for Motor Supply

A.4.3 J3, J6, J9, J12 Signal Connectors

J3, J6, J9, and J12 provide jack screw-style connections to supply the Atlas signal connections.

J3, J6, J9 and J12 Connectors		
DK Board Label	Name	Description
~Enab	Enable	Enable input
Flt	FaultOut	FaultOut output
GND	GND	Ground return for <i>Enable</i> and <i>FaultOut</i> signals

A.4.4 Quick Connect Motor Type Chart

Motor Type	Connections
Brushless DC	Motor A, Motor B, Motor C
DC Brush	Motor A, Motor B
Step Motor	phase A: Motor A, Motor B phase B: Motor C, Motor D

A.4.5 J13 DB9 Connector

A.4.5.1 SPI Communications

J13 is used to provide SPI communications between the Atlas DK card and a Magellan DK card or the user's motion control system.

Here are the pinouts for J13 when used for SPI communications

J13 Connector		
Pin	Name	Description
1	~SPICS3	SPI chip select for Atlas #3
2	~SPICS2	SPI chip select for Atlas #2
3	Shield	Cable shield connection
4	GND	Ground
5	SPISO	SPI Slave Out
6	~SPICS1	SPI chip select for Atlas #1
7	~SPICS4	SPI chip select for Atlas #4
8	SPIClk	SPI Clock
9	SPISI	SPI Slave In

A.4.5.2 Pulse & Direction Mode

J13 can also be used to provide pulse & direction signals to a single Atlas.

Here are the pinouts for J13 when used in pulse & direction signal mode

J13 Connector		
Pin	Name	Description
1	not used	
2	not used	
3	Shield	Cable shield connection
4	GND	Ground
5	not used	
6	AtRest	Pulse & direction mode <i>AtRest</i> signal
7	not used	
8	Pulse	Pulse & direction mode <i>Pulse</i> signal
9	Direction	Pulse & direction mode <i>Direction</i> signal

A.4.6 Atlas Connections

The DK board connects to the Atlas units via sockets at J14, J15, J16, and J17. The tables below show the Atlas connections for these connectors

A.4.6.1 Vertical Unit Connections

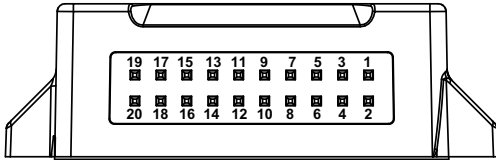


Figure A-9:
Vertical Unit
Pinouts

J14, J15, J16, & J17 Connectors

Pin	Name	Pin	Name
1	Pwr_Gnd	2	Pwr_Gnd
3	HV	4	HV
5	Motor A	6	Motor A
7	Motor B	8	Motor B
9	Motor C	10	Motor C
11	Motor D	12	Motor D
13	~Enable	14	FaultOut
15	5V	16	GND
17	~SPICS/AtRest	18	SPIS/Direction
19	SPIClk/Pulse	20	SPISO

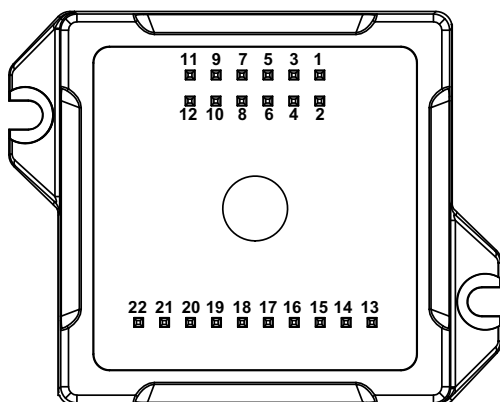
Refer to [Figure A-8](#) for connector locations.

The pins are 0.1 inch spacing and 0.025 inch pin width.



A.4.6.2 Horizontal Unit Connections

Figure A-10:
Horizontal Unit
Pinouts



J14A, J15A, J16A, & J17A Connectors

Pin	Name	Pin	Name
1	Motor D	2	Motor D
3	Motor C	4	Motor C
5	Motor B	6	Motor B
7	Motor A	8	Motor A
9	HV	10	HV
11	Pwr_Gnd	12	Pwr_Gnd

J14B, J15B, J16B, & J17B Connectors

13	5V	14	GND
15	~Enable	16	FaultOut
17	GND	18	~SPICS/AtRest
19	SPISO	20	SPIS/Direction
21	SPIClk/Pulse	22	GND



The pins are 0.1 inch spacing and 0.025 inch pin width.

A.4.7 Compact To Ultra Compact Package Signal Converters

When ultra compact package Atlas units are installed in the Atlas DK, signal converter cards are installed between the DK boards and the Atlas unit. Two converter formats are provided, one for horizontal Atlas units and one for Vertical units. These devices convert signals from the DK card's compact package format to the ultra compact format. These converters may also be used in other products designed for the compact package format such as the Prodigy/CME Machine Controller cards.

A.4.7.1 Vertical Ultra Compact Converter Pinouts

The following section shows the connections provided by the vertical converter.

Compact Package Pin	Ultra Compact Package Pin	Name
1, 2	4	Pwr_Gnd
3, 4	1	HV
5, 6	3	Motor A
7, 8	6	Motor B
9, 10	5	Motor C
11, 12	7	Motor D
13	11	~Enable
14	12	FaultOut
15	14	5V
16	13	GND
17	16	~SPICS/AtRest
18	18	SPIS/Direction
19	17	SPIClk/Pulse
20	15	SPISO

A.4.7.2 Horizontal Ultra Compact Converter Pinouts

The following section shows the connections provided by the horizontal converter.

Compact Package Pin	Ultra Compact Package Pin	Name
1, 2	1	Motor D
3, 4	2	Motor C
5, 6	3	Motor B
7, 8	4	Motor A
9, 10	5	HV
11, 12	6	Pwr_Gnd
13	11	5V
14	12, 15	GND
15	14	~Enable
16	13	FaultOut
17	12, 15	GND
18	10	~SPICS/AtRest
19	9	SPISO
20	7	SPIS/Direction
21	8	SPIClk/Pulse
22	12, 15	GND

A.4.8 LED Indicators

The Atlas DK board has two LEDs. The green LED, when lit, indicates that Atlas is receiving valid power input power at HV. The red LED, when lit, indicates that an Atlas FaultOut condition is active.

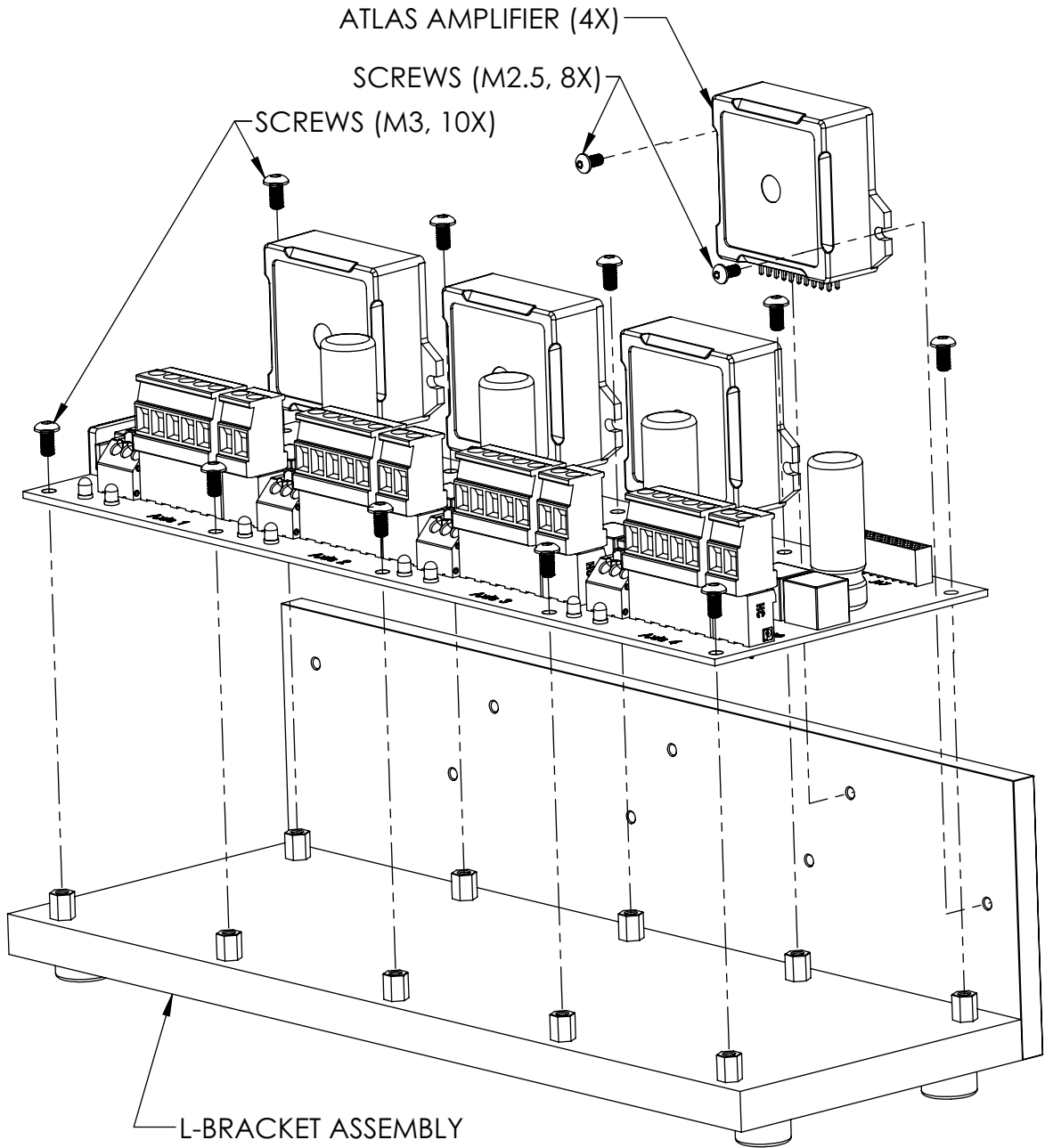
A.5 L-Bracket

The Atlas DK comes with mounting plates that provide extra mechanical stability and heat sinking during prototyping. Depending on the type of Atlas that you are using, you will use just the base plate or the base plate and vertical plate in the “L” configuration.

L-bracket hardware is provided in the one axis configuration and four axis configuration.

Normally, the DK boards are fully assembled into the base plate. If for whatever reason you need to disassemble or assemble the base plate to the DK board however, you can assemble these components yourself. To assist with this, an assembly drawing is shown in [Figure A-11](#). In addition, you will need 1.5 mm and 2 mm hex wrenches to assemble the DK board, Atlas units, and L-bracket together.

Figure A-11:
Mounting Atlas
to L-bracket
Plates (four-
axis, vertical
version shown)



A.5.1 Mounting L-bracket to Other Hardware

To maximize heat sinking capacity you may choose to mount the vertical L-bracket piece to your own hardware. For best thermal performance, a material such as Sil-Pad thermal grease or phase change material should be utilized between metal interfacing layers.

To connect to the vertical plate use four (4) M4 screws threaded into the provided threaded holes in the vertical plate or use four (4) M3 screws with nuts and washers to fasten through from the front.

The diagrams below show the location of these mounting holes for both the 4-axis and 1-axis vertical plates.

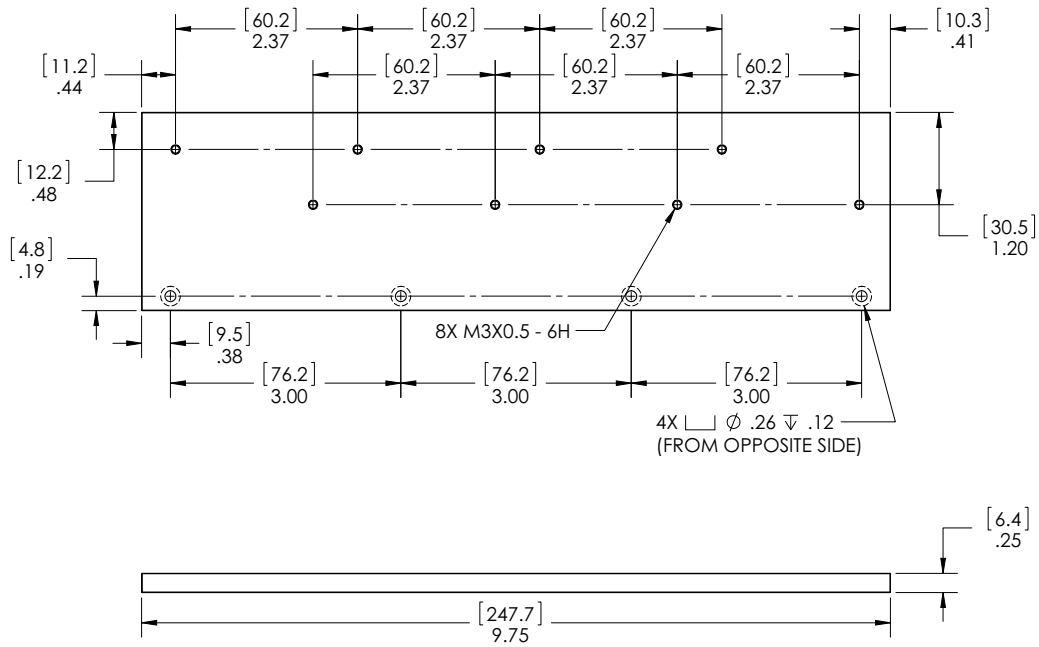


Figure A-12:
Top and Front
Views of Four-
Axis Horizontal
Atlas DK
L-bracket
Vertical Plate

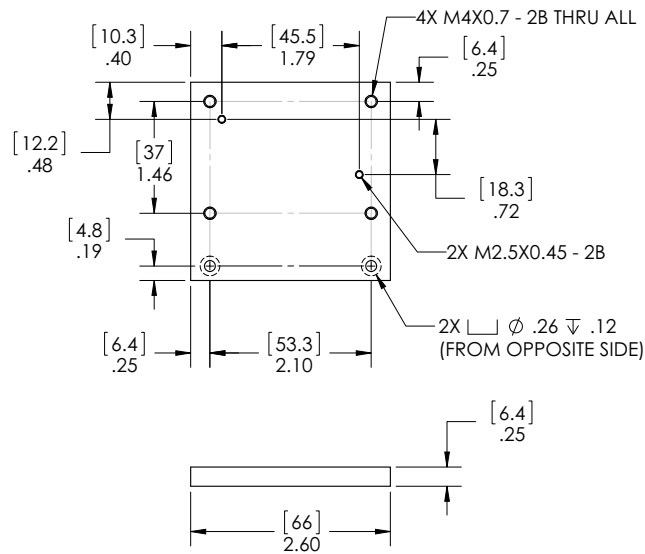


Figure A-13:
Top and Front
Views of One-
Axis Horizontal
Atlas DK
L-bracket
Vertical Plate

This page intentionally left blank.

B. Application Notes

B

In This Appendix

- ▶ Brushless DC Atlas With Single-Axis MC58113 Motion Control IC
- ▶ DC Brush & Step Motor Atlas With Multi-Axis Magellan
- ▶ Step Motor Atlas Operating In Pulse & Direction Mode
- ▶ DC Brush Atlas With PIC Microcontroller
- ▶ Step Motor Atlas With ARM Microcontroller
- ▶ Atlas Interfacing Via a Daughter Card
- ▶ Multi-Motor Atlas With Single-Axis MC58113 Motion Control IC

B.1 Brushless DC Atlas with Single-Axis MC58113 Motion Control IC

The following schematic shows a Brushless DC Atlas Amplifier connected to a single-axis Magellan.

B.1.1 Atlas Power Input and Motor Output

Atlas is powered through pin pairs HV and Pwr_Gnd, and the power source is a transformer-isolated DC power supply. When unregulated DC power supply is used the output voltage with respect to its output power/current should meet the full Atlas operating range specification. Be aware that for motors operating with significant inertia, during deceleration, Atlas may convert excess kinetic energy to electrical energy and feed the energy back to the DC power

supply input. The power supply therefore should be able to absorb or “dump” this regenerated energy so that the increased bus voltage will not trigger an Atlas over-voltage event, or otherwise damage the power supply or other attached devices. An input capacitor can be used to absorb the regenerated energy with $E=C*V*\Delta V$ where E is the kinetic energy, C is the capacitance of the input capacitance, V is the DC bus voltage and ΔV is the allowed voltage increase. For some regulated power sources the regenerated energy may interfere with the power source’s operation. If that is the case, you may consider adding a diode between the regulated power source and the input capacitor bank.

The Pwr_Gnd and GND pins are connected together inside the Atlas, and at a system level they refer to the same ground. Pwr_Gnd, the current return path for the power train, is paired with HV and may therefore be noisy. GND is the reference for the SPI signals and other digital control signals. These signals require a quiet ground reference. To ensure optimal performance, star grounding is recommended for component placement and layout. That is, Pwr_Gnd and GND should be connected to the system ground very close to Atlas, and the two ground paths should be kept away from each other.

There is a third current return path stemming from the high frequency component of the motor winding current. Atlas drives motor windings with pulse-width modulated (PWM) signals. Although the sum of the average winding currents is zero, the high frequency PWM signal may couple to the ground plane and induce noise into other circuits. Therefore, depending on your application, you may consider utilizing a shielded motor cable to provide a current return path. If utilized, its ground point should be very close to, or the same, as Pwr_Gnd.

B.1.2 Atlas SPI Interface

Atlas receives control commands through an SPI interface and functions as an SPI slave. Atlas SPI communication is enabled when \sim SPICS is pulled down.

To ensure optimal SPI communication, please consider the following layout recommendations:

- 1 Keep traces short and use 45 degree corners instead of 90 degree corners.
- 2 All SPI signal traces should be located next to a continuous ground plane, or if possible, between two continuous ground planes.
- 3 Keep traces away from other noisy and high speed signal traces. Alternatively, run ground traces along with these signals as a shield.
- 4 When multiple Atlas modules are used, keep the SPI signal stubs short.

Note that the Atlas Development Kit layout can be used as a layout reference.

B.1.3 Atlas \sim Enable and FaultOut Signals

Atlas has one dedicated input signal, \sim Enable, which must be pulled low for the Atlas output stage to be active.

FaultOut is a dedicated output. During normal operation it outputs low. When a fault occurs it will go into a high impedance state. In this example, FaultOut is pulled up by V_{pullup} through resistor R1. V_{pullup} can be up to 24V to meet the system requirement. For example, if the fault signal is wired to a 5V TTL input, V_{pullup} can be 5V.

B.1.4 Magellan MC58113 Configuration

In this schematic the SPI master is a single axis Magellan MC58113. Only the connections with Atlas are shown. For complete MC58113 wiring, please refer to the MC58113 electrical specifications. Depending on the Magellan commutation method selected the feedback signals HallA, HallB, HallC and \sim Index are optional.

B.2 DC Brush & Step Motor Atlas with Multi-Axis Magellan

The following schematic shows a two-axis application with one DC Brush Atlas Amplifier and one step motor Atlas amplifier controlled by a multi-axis Magellan.

B.2.1 Atlas Power Input and Motor Output

Atlas is powered through pin pairs HV and Pwr_Gnd, and the power source is a transformer-isolated DC power supply. In this application the two Atlases share the same power supply. Alternatively they could be powered independently so that different motor voltages could be used.

For DC Brush motors pins MotorA and MotorB are wired to motor windings Motor+ and Motor-, respectively. Pins MotorC and MotorD are left un-connected.

For step motors pins MotorA, MotorB, MotorC and MotorD are wired to motor windings A+, A-, B+ and B-, respectively.

Please refer to B.1 for layout and wiring recommendations on power input and motor outputs.

B.2.2 Atlas SPI Interface

Atlas receives control commands through an SPI interface and functions as an SPI slave. Atlas SPI communication is enabled when \sim SPICS is pulled down. Only one Atlas can be enabled at any given time.

Please refer to B.1 for layout recommendation on SPI interface.

B.2.3 Atlas \sim Enable and FaultOut Signals

Atlas has one dedicated input signal, \sim Enable, which must be pulled low for the Atlas output stage to be active.

FaultOut is a dedicated output. During normal operation it outputs low. When a fault occurs it will go into a high impedance state. In this example, FaultOut is pulled up by Vpullup through resistor R1. Vpullup can be up to 24V to meet the system requirement. Each Atlas may use a different Vpullup voltage, for example, if the fault signal is wired to a 5V TTL input, Vpullup can be 5V.

B.2.4 Magellan MC58420 Configuration

In this schematic the SPI master is a four-axis Magellan MC58420. Only the connections with Atlas are shown. For complete Magellan wiring, please refer to the MC58420 electrical specifications.

The MC58420 is configured to default to Atlas motor output by tying pin 7, OutputMode0, to ground. In this example axis 2 and axis 3 are under control. The MC58420 sends torque commands to the DC Brush Atlas by pulling SPIEnable2 low, and sends position commands to the step motor Atlas by pulling SPIEnable3 low.

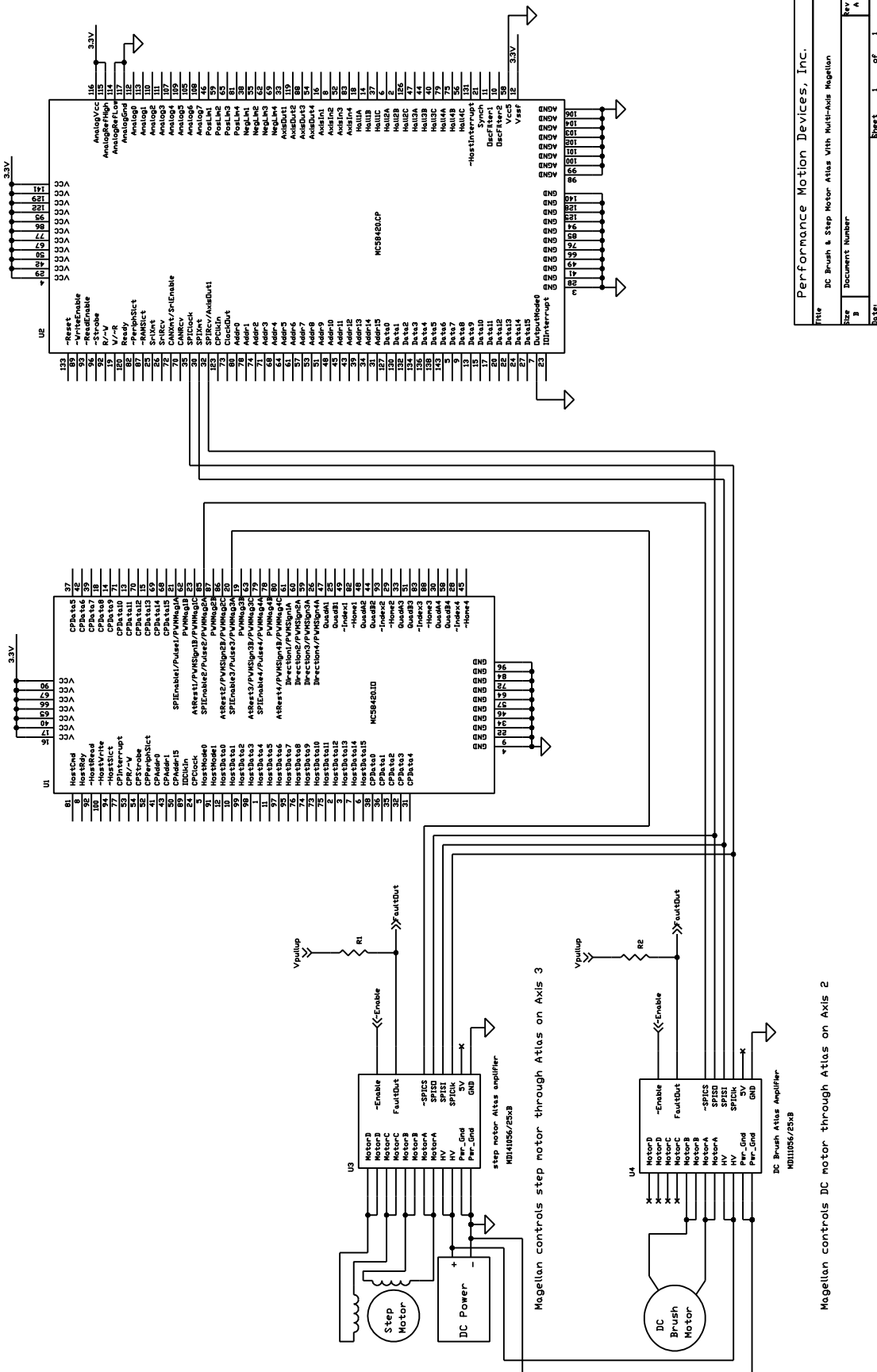


Figure B-2:
DC Brush & Step Motor Atlas With Multi-Axis Magellan

B.3 Step Motor Atlas Operating In Pulse & Direction Mode

The following schematic shows Atlas operated in pulse & direction mode controlled by a single axis Magellan. Note that any source of pulse & direction signals, such as a microprocessor or other dedicated motion control IC, may be substituted for the Magellan in this schematic.

B.3.1 Atlas Power Input and Motor Outputs

Atlas is powered through pin pairs HV and Pwr_Gnd, and the power source is a transformer-isolated DC power supply.

For step motors pins MotorA, MotorB, MotorC and MotorD are wired to motor windings A+, A-, B+ and B-, respectively.

Please refer to B.1 for layout and wiring recommendations on power input and motor outputs.

B.3.2 Atlas Pulse & Direction Interface

When in pulse & direction signal mode, Atlas receives pulse, direction and AtRest signals as shown in the schematic. When operated in pulse & direction signal mode SPI communications are not available.

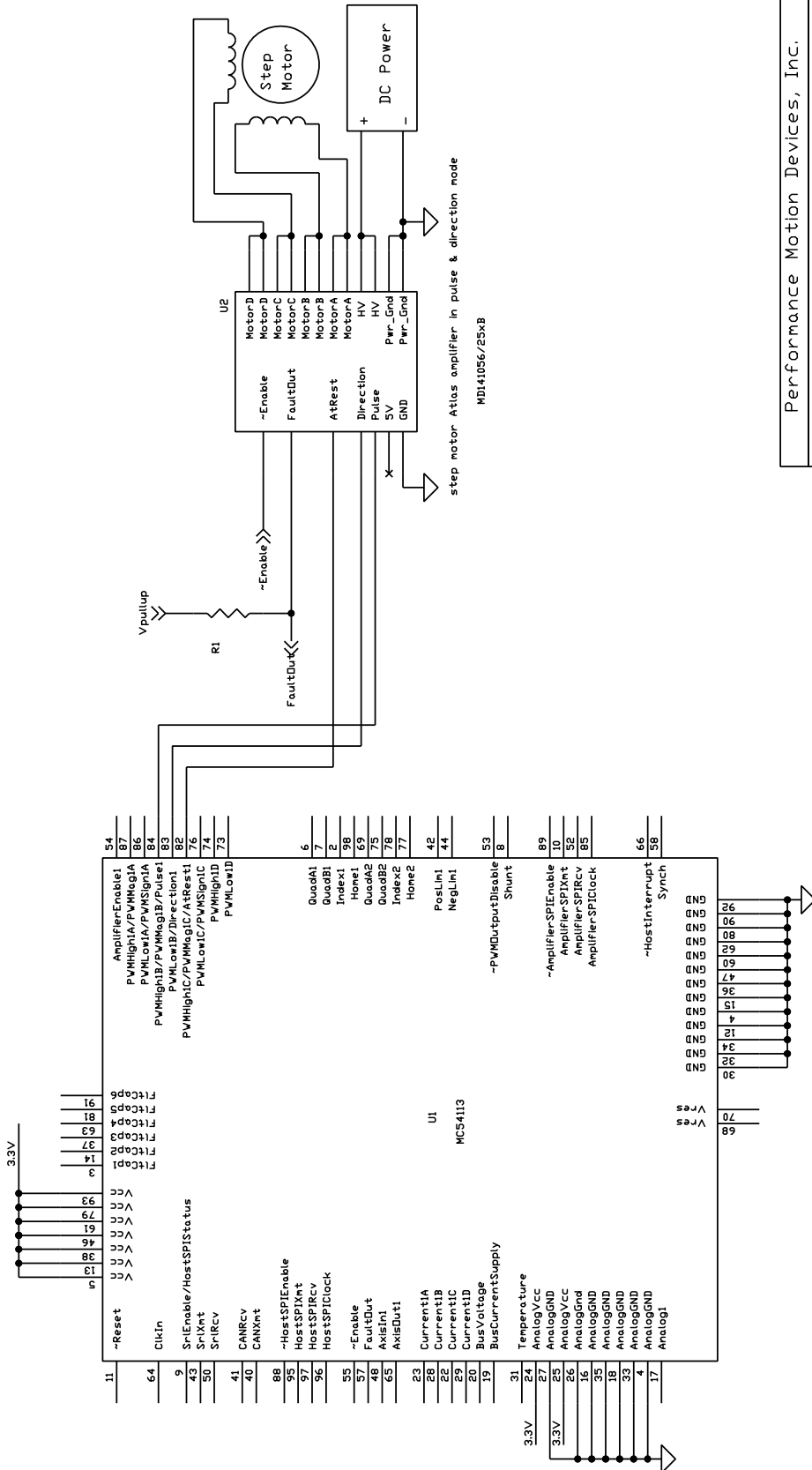
B.3.3 Atlas ~Enable and FaultOut Signals

Atlas has one dedicated input signal, ~Enable, which must be pulled low for the Atlas output stage to be active.

FaultOut is a dedicated output. During normal operation it outputs low. When a fault occurs it will go into a high impedance state. In this example, FaultOut is pulled up by Vpullup through resistor R1. Vpullup can be up to 24V to meet the system requirement. For example, if the fault signal is wired to a 5V TTL input, Vpullup can be 5V.

B.3.4 Magellan MC54113 Configuration

In this schematic the SPI master is a single-axis Magellan MC54113 configured for pulse & direction signal output. Only the connections with Atlas are shown. For complete Magellan wiring, please refer to the MC58113 electrical specifications.



Performance Motion Devices, Inc.	
Title	Step Motor Atlas Operating in Pulse & Direction Mode
Size	Document Number
Rev	Rev A
Date	Sheet 1 of 1

Figure B-3:
Step Motor
Atlas Operating
In Pulse &
Direction Mode

B.4 DC Brush Atlas with PIC Microcontroller

The following schematic shows a DC Brush Atlas amplifier connected to a Microchip Technologies' PIC microcontroller. Atlas receives torque commands through the PIC's SPI interface.

A wide variety of microcontrollers, DSP-type devices, or FPGAs supporting SPI interfaces can control Atlas directly. Microchip's dsPIC33FJ64GS606 is used in this example. It supports encoder inputs and other feedback inputs. Users design their own motion control algorithms on the microcontroller, which in turn commands Atlas to drive the motor.

B.4.1 Atlas Power Input and Motor Output

Atlas is powered through pin pairs HV and Pwr_Gnd, and the power source is a transformer-isolated DC power supply.

For DC Brush motors pins MotorA and MotorB are wired to motor windings Motor+ and Motor-, respectively. Pins MotorC and MotorD are left un-connected.

Please refer to B.1 for layout and wiring recommendation on power input and motor outputs.

B.4.2 Atlas SPI Interface

Atlas functions as an SPI slave, receiving control commands from the PIC through its SPI interface. Atlas SPI communication is enabled when \sim SPICS is pulled down.

Please refer to B.1 for layout recommendation on SPI interface.

B.4.3 Atlas \sim Enable and FaultOut Signals

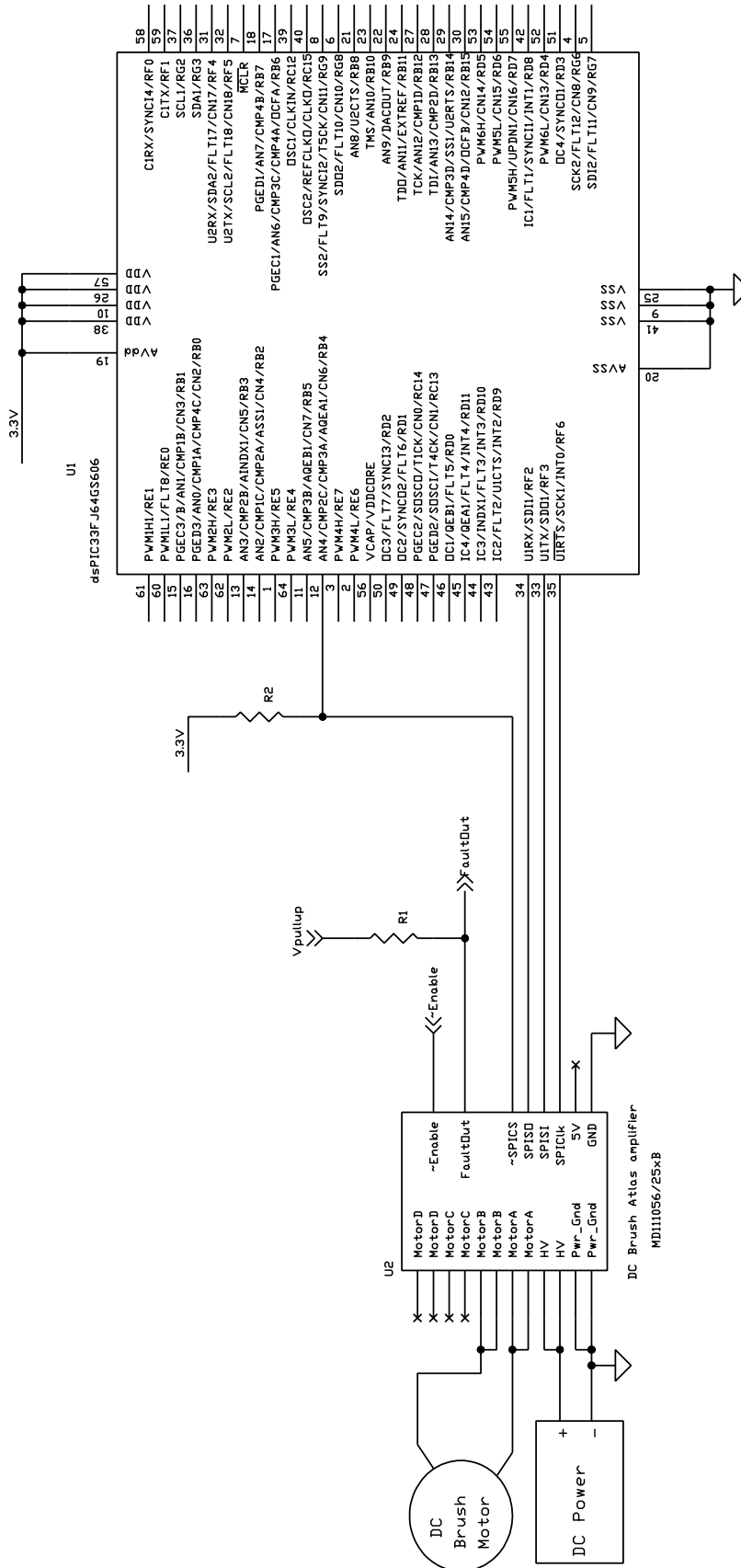
Atlas has one dedicated input signal, \sim Enable, which must be pulled low for the Atlas output stage to be active.

FaultOut is a dedicated output. During normal operation it outputs low. When a fault occurs it will go into a high impedance state. In this example, FaultOut is pulled up by Vpullup through resistor R1. Vpullup can be up to 24V to meet the system requirement. For example, if the fault signal is wired to a 5V TTL input, Vpullup can be 5V.

B.4.4 Microcontroller Configuration

In this schematic, the host controller is Microchip's dsPIC33FJ64GS606. The microcontroller's SPI port (SDI1/SDO1/SCK1) is used for SPI communication.

In this example output pin #12 of U1 (PIC processor) is used to control Atlas' \sim SPICS input. \sim SPICS has an internal pull-up, therefore, during power up and after reset, the control pin should be in high-impedance or output high state to disable the SPI. Resistor R2 is optional.



Performance Motion Devices, Inc.

Title		DC Brush Atlas With PIC Microcontroller	
Size	Document Number	Rev	A
Date:		Sheet	1 of 1

Figure B-4:
DC Brush Atlas
With PIC
Microcontroller

B.5 Step Motor Atlas with ARM Microcontroller

The following schematic shows a step motor Atlas amplifier connected to an STMicroelectronic's ARM microcontroller. Atlas receives torque commands through the ARM's SPI interface.

A wide variety of microcontrollers, DSP-type devices, or FPGAs supporting SPI interfaces can control Atlas directly. STMicroelectronic's STR912FAZ44H6T is used in this example. Users design their own motion control algorithms on the microcontroller, which in turn commands Atlas to drive the motor.

B.5.1 Atlas Power Input and Motor Outputs

Atlas is powered through pin pairs HV and Pwr_Gnd, and the power source is a transformer-isolated DC power supply.

For step motors pins MotorA, MotorB, MotorC and MotorD are wired to motor windings A+, A-, B+ and B-, respectively.

Please refer to B.1 for layout and wiring recommendations on power input and motor outputs.

B.5.2 Atlas SPI Interface

Atlas functions as an SPI slave, receiving control commands from the ARM through its SPI interface. Atlas SPI communication is enabled when \sim SPICS is pulled down.

Please refer to B.1 for layout recommendation on SPI interface.

B.5.3 Atlas \sim Enable and FaultOut Signals

Atlas has one dedicated input signal, \sim Enable, which must be pulled low for the Atlas output stage to be active.

FaultOut is a dedicated output. During normal operation it outputs low. When a fault occurs it will go into a high impedance state. In this example, FaultOut is pulled up by Vpullup through resistor R1. Vpullup can be up to 24V to meet the system requirement. For example, if the fault signal is wired to a 5V TTL input, Vpullup can be 5V.

B.5.4 Microcontroller Configuration

In this schematic, the host controller is ST's STR912FAZ44H6T. The microcontroller's SPI port is used for SPI communication.

In this example output pin K7 of the U1 (ARM processor) is used to control Atlas' \sim SPICS input. \sim SPICS has an internal pull-up, therefore, during power up and after reset, the control pin should be in high-impedance or output high state to disable the SPI.

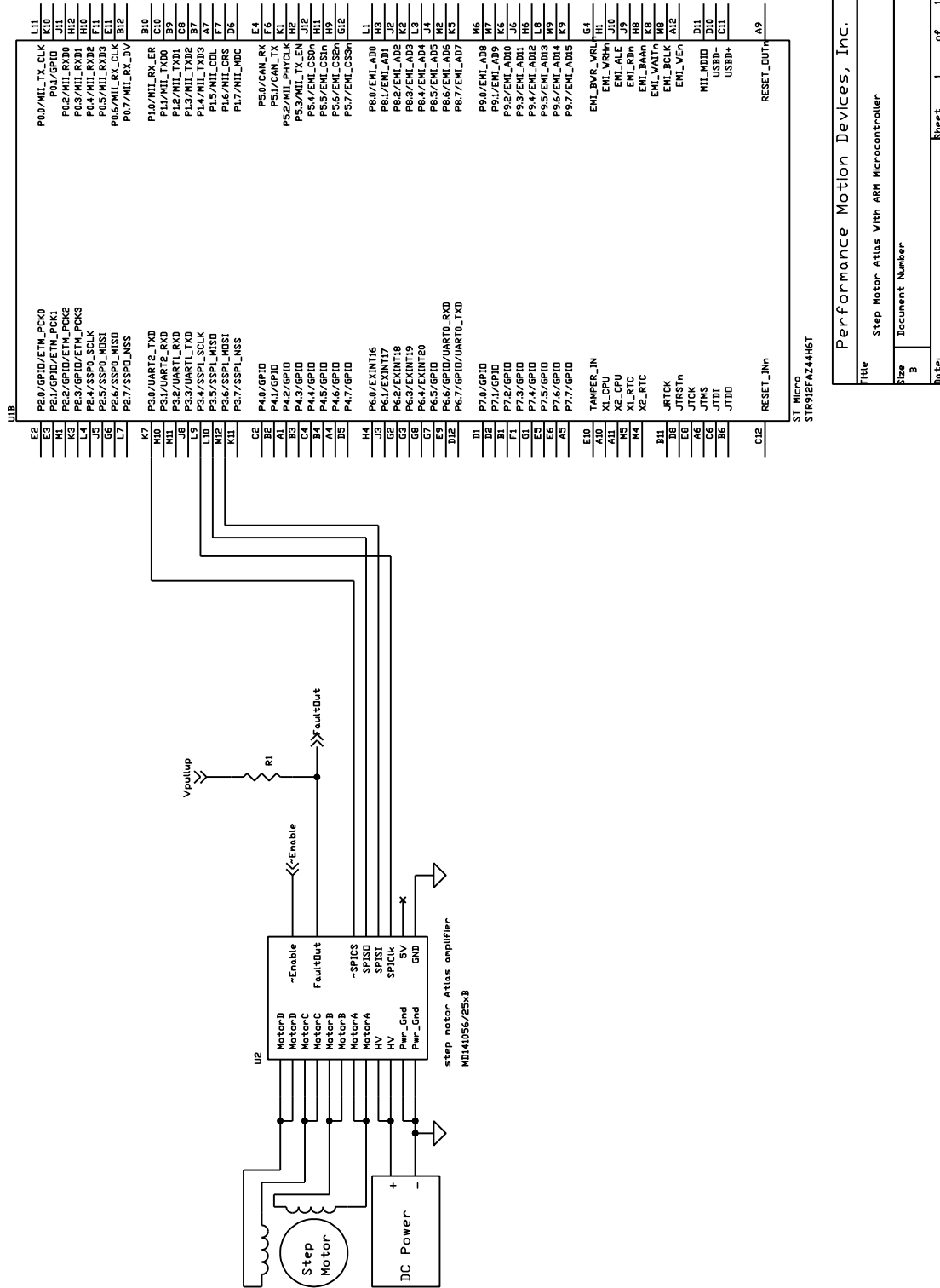


Figure B-5: Step Motor Atlas With ARM Microcontroller

Title		Step Motor Atlas With ARM Microcontroller	
Size	B	Document Number	
Rev	A	Sheet	1 of 1

B.6 Atlas Interfacing Via a Daughter Card

The following schematic shows an example of Atlas interfacing via a daughter card.

B.6.1 Atlas Application Considerations Via a Daughter Card

Ground placement is critical for Atlas operation. Atlas is powered through pin pairs HV and Pwr_Gnd with a transformer-isolated DC power supply. The Pwr_Gnd and GND pins are shorted inside the Atlas, and at a system level they refer to the same ground. Pwr_Gnd is the current return path for the power train, while GND is the reference for the SPI signals and other digital control signals. Also, there is another current return path from the high frequency component of the motor winding current. To ensure optimal performance, star grounding is recommended for component placement and layout. That is, Pwr_Gnd and GND should be connected to the system ground very close to Atlas, and the ground return paths should be kept away from each other. Please refer to B.1 for general layout and wiring considerations on power input and motor outputs.

When Atlas is used with a daughter card, above grounding requirements might be difficult to implement at system level. For example, Atlas is installed close to the motor on a daughter card while the host controller resides in the mother board. The host controller controls Atlas through a cable, and too long a cable might compromise the module performance. Another example is that a single power supply powers multiple Atlas daughter card at different locations through long, separate, power cables. The long cables establish a current loop, and the ground current might interfere with normal Atlas operation.

This application note provides some examples to address above issues. In the example schematic, PMD's Magellan IO and CP chips are used to control the two Atlas units on the daughter card(s). Because of the length of the connecting cable between the host board and daughter board(s), there are buffers added on the SPI bus on the host board in order to boost the signal driving and sinking capabilities.

B.6.2 Atlas SPI Through Isolator

Atlas receives control commands through an SPI interface and functions as an SPI slave; The SPI signals refer to its "local" ground. However, when Atlas is on a daughter card with a cable to the host controller, the host controller's local ground might be different, and SPI communication might see errors due to the ground difference/noise.

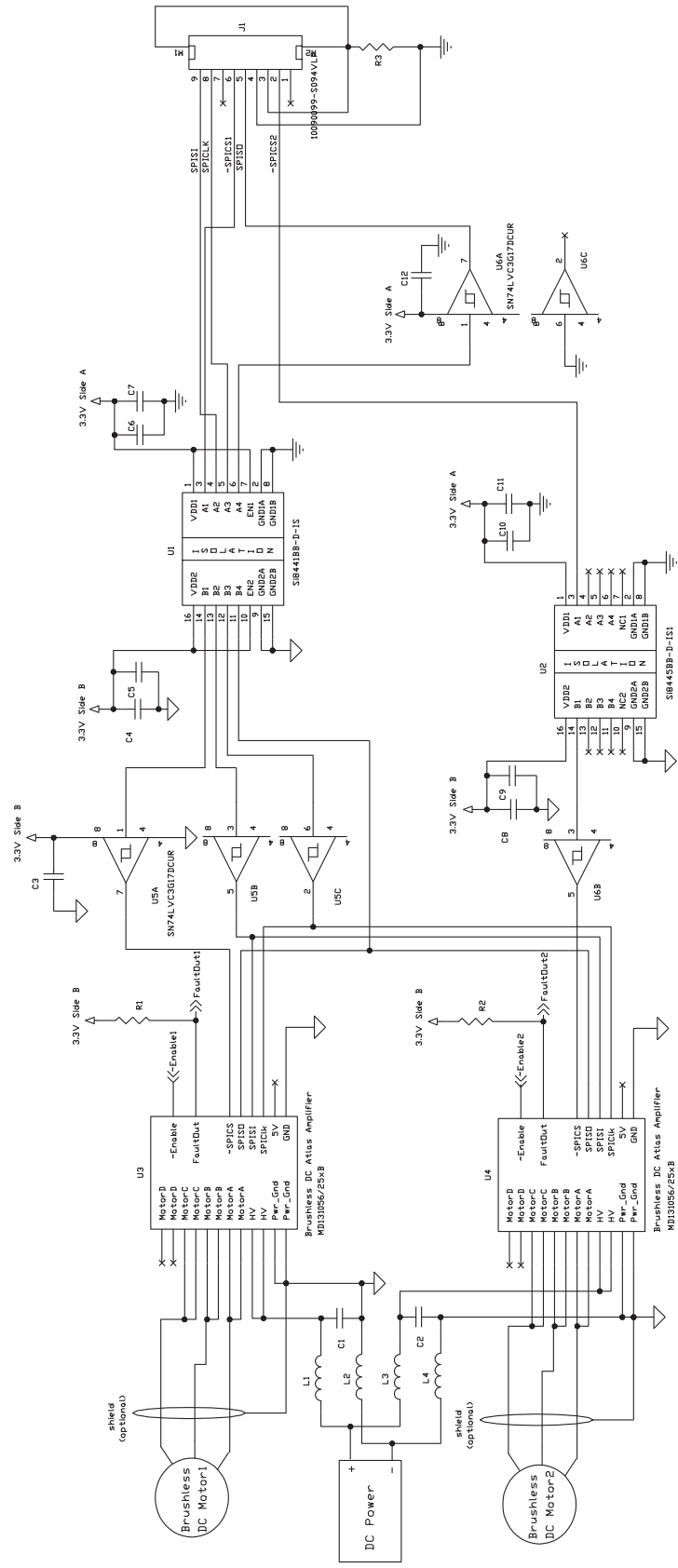
An isolator can be used to "break" the ground so that Atlas and the host controller refer to their own grounds. In this example, U1 and U2 are digital isolators. Atlas refers to "side B" ground and the host controller to "side A" ground. Please note that the isolators have to meet the timing specification for Atlas communication because the isolator will add delay to the signals. The buffer U5 and U6 are to boost the signal driving and sinking capability after the isolator output. In this example, DB9 connector with shielded DB9 cable is used. When R3 is zero, the shield is connected to side A ground at the daughter card end. Similarly, on the Magellan side (on the mother board), buffer U7 and U9 are used to boost the signal driving and sinking capability, and, when R4 is zero, the shield is connected to side A ground at the host end. Depending on the design layout, a Schmitt trigger input or standard termination practice might be necessary for the application with long cables.

B.6.3 HV and Pwr_Gnd High-Frequency Isolation

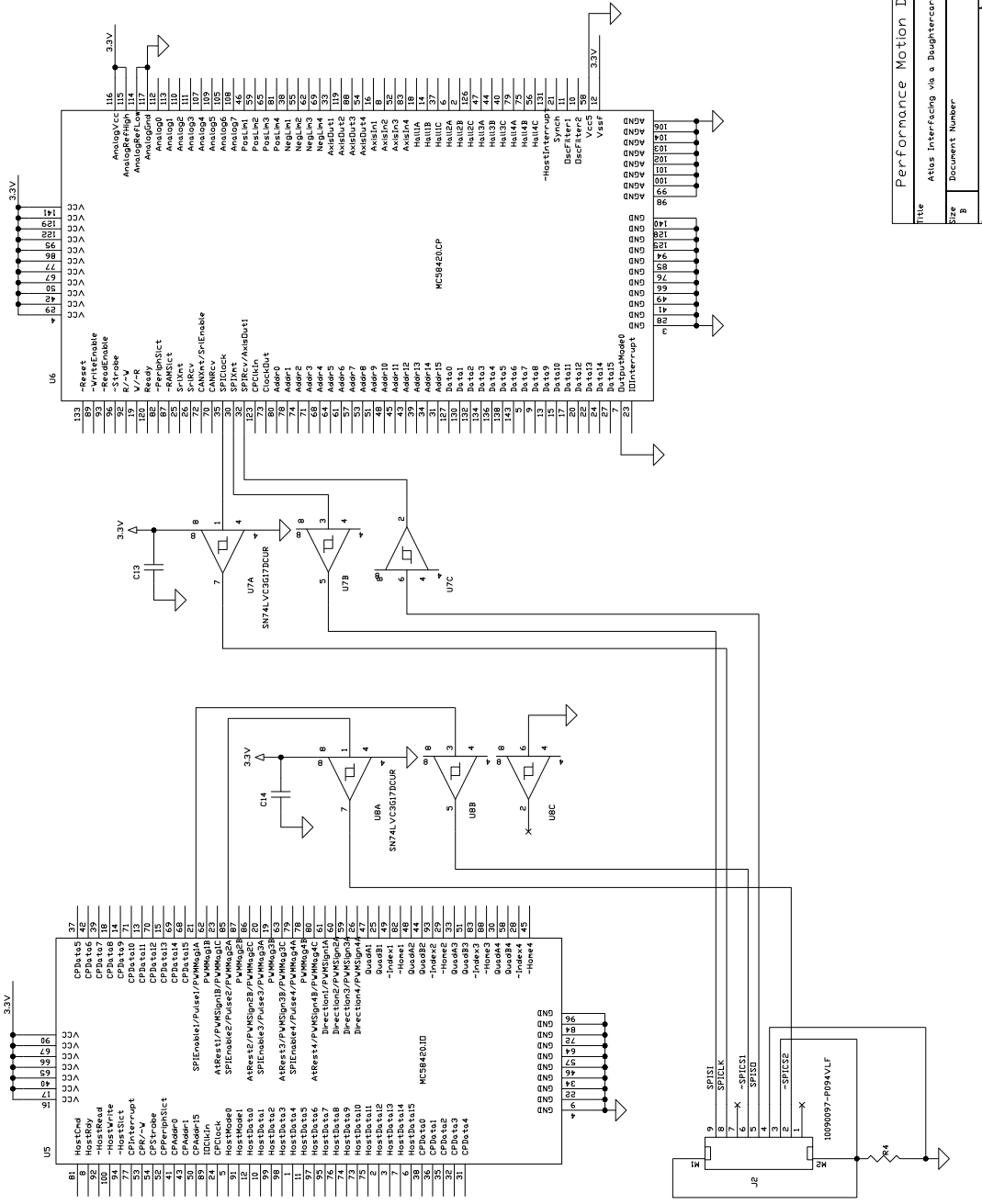
When a single power supply powers multiple Atlas modules through long, separate, power cables, the long cables establish a current loop because they are shorted at both the power supply and the Atlas end. It will result in ground currents that might interfere with normal Atlas operation.

In this case, an L-C-L network can be used to provide high-frequency isolations among the modules. For example, for Atlas U3, C1 is between the Atlas HV and Pwr_Gnd. It serves as the bank capacitor for Atlas operation when necessary. L1 is between Atlas HV and power supply positive output. L2 is between Atlas Pwr_Gnd and power supply ground return. The current rating of L1 and L2 has to fit the Atlas operation current. L1 and L2 will bring in high impedance at high frequency to attenuate the ground current. A separated L-C-L network is used for Atlas U4 for optimum performance.

**Figure B-6:
Atlas
Interfacing Via
A Daughter
Card #1**



Title		Performance Motion Devices, Inc.	
Size		Atlas Interfacing via a Daughtercard - Page 1	
Doc Number	Rev	Doc Number	Rev
B	A	B	A
Date:	Sheet	1	of 1



Performance Motion Devices, Inc.			
Title	Atlas Interfacing via a Daughtercard - Page 2		
Size	B	Document Number	
Rev	A		
Date		Sheet	1 of 1

Figure B-7:
Atlas
Interfacing Via
A Daughter
Card #2

B.7 Multi-Motor Atlas with Single-Axis MC58113 Motion Control IC

The following schematic shows multi-motor Atlas with single-axis MC58113 motion control IC.

B.7.1 Atlas Power Input and Motor Outputs

Atlas is powered through pin pairs HV and Pwr_Gnd, and the power source is a transformer-isolated DC power supply.

Multi-motor Atlas can be configured to support DC brush motor, Brushless DC motor or step motor. For DC Brush motors pins MotorA and MotorB are wired to motor windings Motor+ and Motor-, respectively. Pins MotorC and MotorD are left un-connected. For Brushless DC motors pin Motor A, MotorB and MotorC are wired to motor windings A, B and C, respectively. Pin MotorD is left un-connected. For step motors pins MotorA, MotorB, MotorC and MotorD are wired to motor windings A+, A-, B+ and B-, respectively.

Please refer to [Section B.1, "Brushless DC Atlas with Single-Axis MC58113 Motion Control IC,"](#) for layout and wiring recommendations on power input and motor outputs.

B.7.2 Atlas SPI Interface

Atlas receives control commands through an SPI interface and functions as an SPI slave. Atlas SPI communication is enabled when \sim SPICS is pulled down. Only one Atlas can be enabled at any given time. Please refer to [Section B.1, "Brushless DC Atlas with Single-Axis MC58113 Motion Control IC,"](#) for layout recommendation on SPI interface.

B.7.3 Atlas \sim Enable and FaultOut Signals

Atlas has one dedicated input signal, \sim Enable, which must be pulled low for the Atlas output stage to be active. FaultOut is a dedicated output. During normal operation it outputs low. When a fault occurs it will go into a high impedance state. In this example, FaultOut is pulled up by Vpullup through resistor R1. Vpullup can be up to 24V to meet the system requirement. For example, if the fault signal is wired to a 5V TTL input, Vpullup can be 5V.

B.7.4 Magellan MC58113 Configuration

In this schematic the SPI master is a single-axis MC58113. Only the connections with Atlas are shown. For complete Magellan wiring, please refer to the MC58113 electrical specifications.

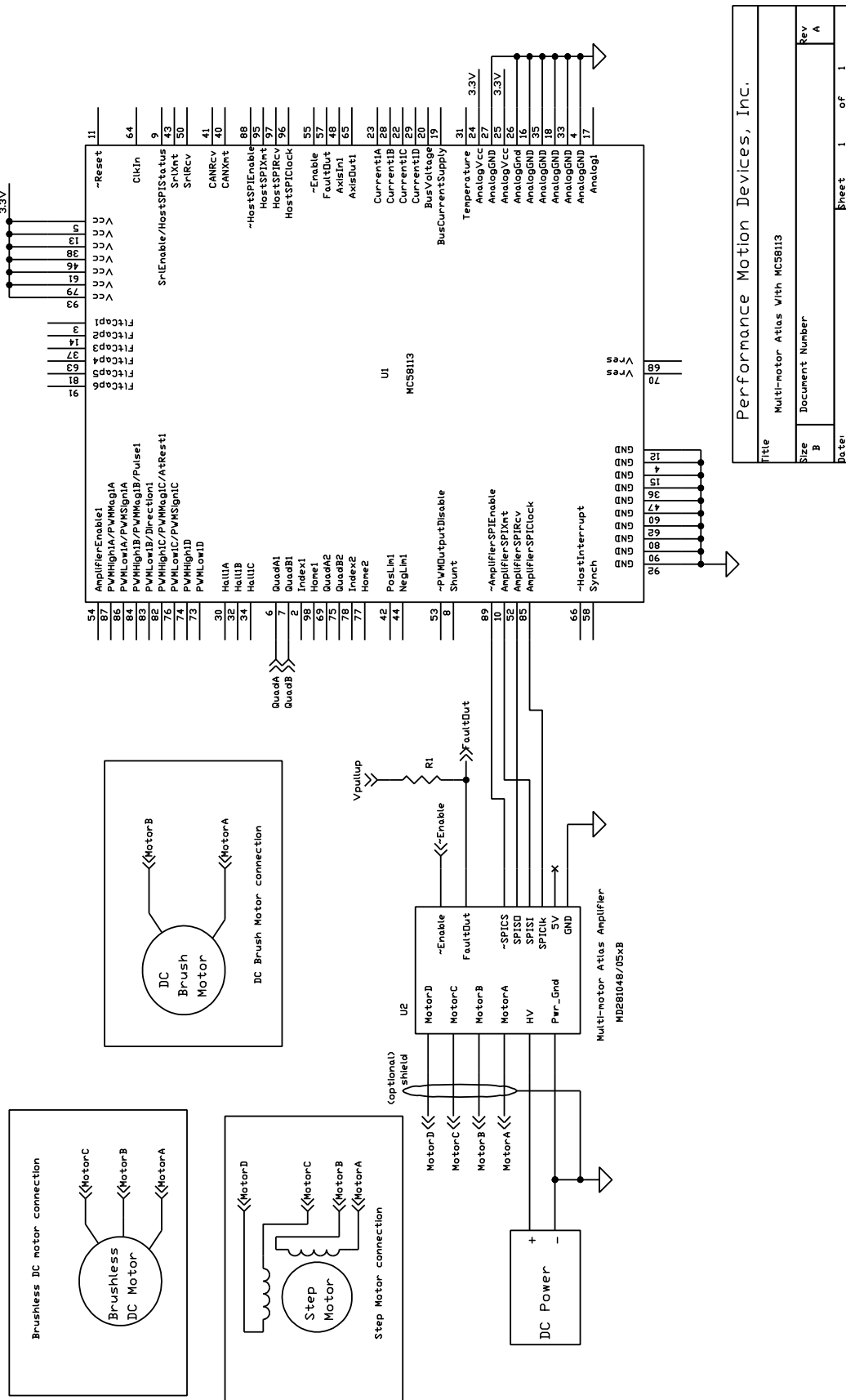


Figure B-8: Multi-motor Atlas With MC58113 Motion Control IC

This page intentionally left blank.

Index

Symbols

~Enable 26

~SPICS 26

A

absolute maximum ratings 24

AC characteristics 27

amplifier disable, sending 89

application notes 171

Atlas amplifier

electrical installation 157

Atlas commands, sending 90

Atlas Developer Kit 13, 155

Atlas Developer's Kit

getting started 156

installation 156

overview 155

B

brushless DC Atlas, single-axis magellan 171

brushless DC motors 33

buffer access commands 68

buffer indexes 68

buffers 68

C

command mnemonics 41

commutation 42

compliance 25

connecting, to the Magellan DK Card 161

connection

brushless DC motors 33

DC brush motors 34

overview 33

power 161

connections 165

motor 160

current control, step motors 67

current foldback 62

event processing 64

voltage mode 63

current loop 45

disabling 46

enabling 46

reading values 48

D

DC brush & step motor Atlas, multi-axis magellan 174

DC brush Atlas, PIC microcontroller 178

DC brush motors 34

DC characteristics 25

~Enable 26

~SPICS 26

5V 26

FaultOut 26

SPIClk 25

SPISI 25

SPISO 25

disabling, power stage 54

DK board reference information 162

drive

fault status register 61

ratings 23

drive enable 61

Drive Status register 55

E

electrical specifications 23

Enable signal connection 161

enabling, power stage 54

Encoder, phasing 44

environmental ratings 25

Event Status register 55

F

fault

overcurrent 57

overtemperature 58

FaultOut 26

FaultOut Signal 62

features 12

field oriented control 49

FOC

loop values 50

step motors 50

voltage mode 50

functional overview 39

functions 12

H

Hall sensors, phasing with 43

horizontal unit

with tabs 17

without tabs 17

I

individual phase control

step motors 48

voltage mode 48

instruction reference

alphabetical listing 93

overview 93

internal block diagram 40

J

J1 & J2 jack screw connectors 162

J4 connectors 164

J5 DB9 connectors 164

L

L-bracket 167

LED indicators 167

M

Magellan DK Card, connecting to 161

motor

connection 160

current, setting 66

mounting

dimensions 16

options 18

N

non-volatile initialization storage 74

NOP, sending 89

O

operation 39

operational specifications 15

overcurrent fault 57

overtemperature fault 58

overview 9

overvoltage fault 59

P

packet header 86

phase angle, determining 42

phase control

individual 47

voltage mode 48

with step motors 48

phase initialization, incremental encoders 45

phasing, Hall sensors 43

phasing, with Encoder 44

physical characteristics 16

pin descriptions 27, 30

pinouts 27

Atlas horizontal unit 28

Atlas vertical unit 28

power

connections 161

stage 52

power stage

disabling 54

enabling 54

powering up, Atlas units 161

power-up 74

pulse & direction

recovering from signal mode 66

signal input mode 65

signal input mode, fault processing 67

signal mode operation setup 66

PWM output limiting 53

R

ratings

absolute maximum 24

drive 23

environmental 25

reading third leg floating loop values 52

S

safety 25

safety processing functions 57

current foldback 62

drive enable 61

drive fault status register 61

FaultOut Signal 62

overcurrent fault 57

overtemperature fault 58

overvoltage fault 59

undervoltage fault 60

watchdog timeout 60

set

motor current 66

- signal interfacing 32
 - ~Enable 32
 - FaultOut 32
- Signal Status register 56
- SPI bus connections 160
- SPI communications overview 82, 85
- SPI pulse & direction mode 67
- SPI Status register 56
- SPIClk 25
- SPISI 25
- SPISO 25
- status
 - Drive Status 55
 - Event Status 55
 - registers 55
 - Signal Status 56
 - SPI Status 56
- step motor Atlas, ARM microcontroller 180
- step motor Atlas, pulse & direction mode 176
- step motor control 64
- step motors
 - pulse & direction signal mode 35
 - SPI communications 36

T

- third leg floating
 - control 51
 - loop values, reading 52
 - voltage mode 52
- trace
 - buffer 70
 - capture 69
 - data format 73
 - data, downloading 73
 - mode 72
 - parameters 69
 - period 70
 - start/stop 72
 - status word 73
 - variables 70
- trigger mode 72

U

- undervoltage fault 60
- user memory space 68


V

- vertical unit
 - with tabs 16

- without tabs 16
- voltage or torque output 83
- voltage or torque output, sending 88

W

- watchdog timeout 60



This page intentionally left blank.